

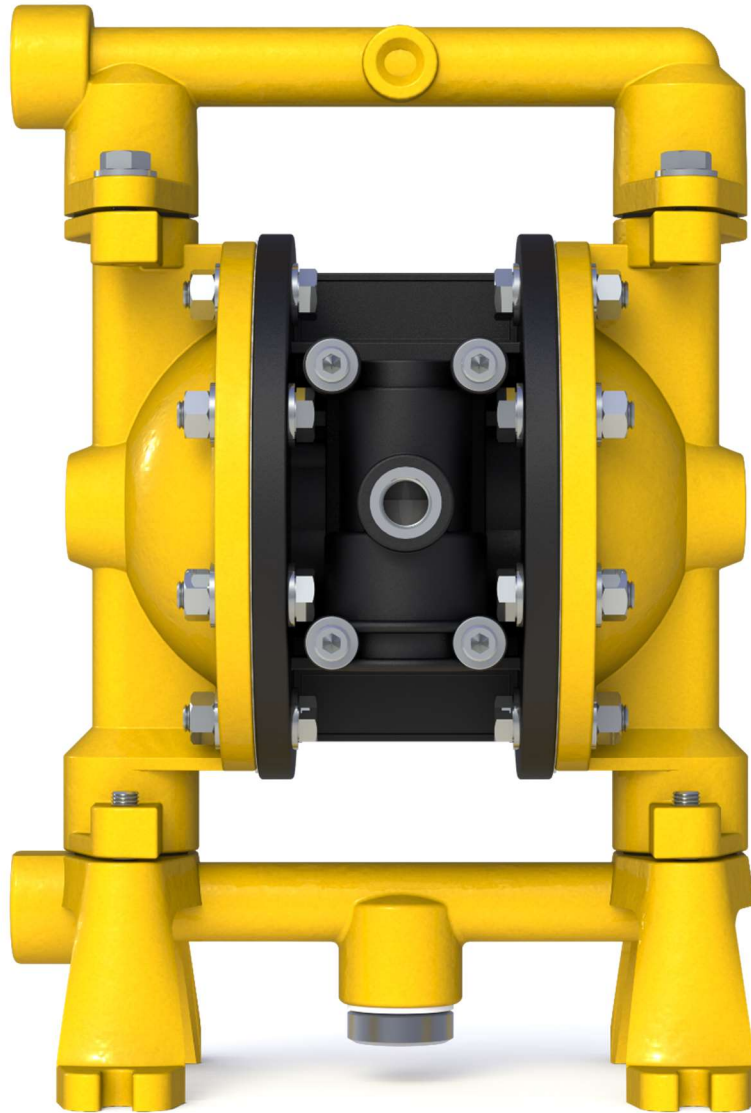


**AIR OPERATED
DOUBLE
DIAPHRAGM
PUMPS**



ISO 9001: 2008
ISO 14001: 2004

pricepumps.co.in



**1/2" ALUMINIUM PUMP
AOD 150 AF AAGP/BUN/TF/A/V**

pricepumps.co.in



AIR OPERATED DOUBLE DIAPHRAGM PUMPS



ISO 9001: 2008
ISO 14001: 2004

pricepumps.co.in

SECTION 1- LEGEND

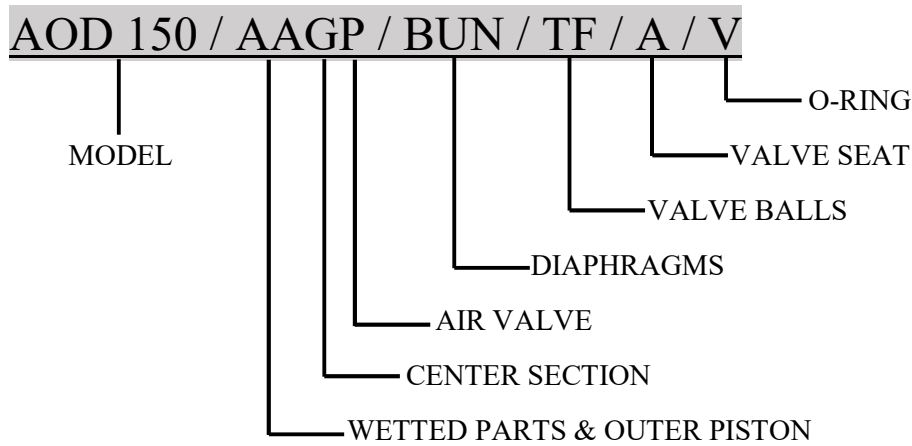
½” ALUMINIUM PUMP

AOD 150/AAGP/BUN/TF/A/V

MODEL: AOD 150 AF ALUMINIUM

13mm (½”) Pump

Maximum Flow Rate: 45.5 Lpm (12 gpm)



MATERIAL CODES

MODEL
AOD 150 = ½” PUMP

AIR VALVE
P = POLYPROPYLENE

VALVE BALL
TF = TEFLON

WETTED PARTS & OUTER PISTON
AA = ALUMINIUM/
ALUMINIUM

DIAPHRAGMS
BUN = BUNA-N

VALVE SEAT
A = ALUMINIUM

CENTER SECTION
G = GLASS FILLED
POLYPROPYLENE

VALVE SEAT O-RING
V = VITON



AIR OPERATED DOUBLE DIAPHRAGM PUMPS



ISO 9001: 2008
ISO 14001: 2004

pricepumps.co.in

SECTION 2 – SPARE PART LIST

½” ALUMINIUM PUMP

AOD 150/AAGP/BUN/TF/A/V

SR No.	DISCRIPTION	PART No	QTY
1	LIQUID CHAMBER	A15-1001-01	2
2	SUCTION MANIFOLD	A15-1021-01	1
3	DISCHARGE MANIFOLD	A15-1031-01	1
4	DIAPHRAGM	A15-2041-52	2
5	BACK UP DIAPHRAGM	N/A	-
6	NRV BALL	15-1041-55	4
7	BALL SEAT	A15-1071-01	4
8	SEAT O RING	A15-3101-53	4
9	MANIFOLD PLUG	A15-1362-01	1
10	MANIFOLD PLUG GASKET	A15-3342-55	1
11	HOLDING PLATE	A15-1111-20	2
12	LOCK NUT	A15-1131-03	2
13	CENTER BLOCK	A15-1301-23	1
14	SLEEVE	A15-0011-07	1
15	SLEEVE O RING	A15-0012-51	2
16	MAIN SHAFT	A15-1341-03	1
17	MAIN SHAFT O RING	A15-0014-51	1
18	PILOT SHAFT	A15-1451-03	1
19	SPACER	A15-1491-01	3
20	PLATE	A15-3186-03	2
21	PILOT SHAFT LOCK WASHER	A15-0021-03	2
22	SLEEVE CIRCLIP	A15-1582-03	2
23	PILOT SHAFT CIRCLIP	A15-1583-03	2
24	PILOT O RING	A15-3176-56	4



AIR OPERATED DOUBLE DIAPHRAGM PUMPS



ISO 9001: 2008
ISO 14001: 2004

pricepumps.co.in

SECTION 2 – SPARE PART LIST (CONTINUED...)

½” ALUMINIUM PUMP

AOD 150/AAGP/BUN/TF/A/V

SR No.	DISCRIPTION	PART No	QTY
25	PISTON BLOCK	A15-1501-20	1
26	PISTON PVC	A15-1521-69	1
27	U CUP BIG	A15-0028-51	1
28	U CUP SMALL	A15-0029-51	1
29	PISTON PLUG	A15-1571-20	1
30	PISTON PLUG O’RING	A15-3267-51	1
31	PISTON BLOCK EXHAUST COVER	A15-0032-23	1
32	PISTON BLOCK EXHAUST GASKET	A15-0033-60	1
33	PISTON BLOCK GASKET	A15-3324-51	1
34	VALVE PLATE CERAMIC	A15-0035-XX	1
35	VALVE INSERT CERAMIC	A15-0036-XX	1
36	5/16" X 1¼" HEX BOLT SS (CHAMBER BOLT)	04-6028-03	16
37	5/16 X 1" HEX BOLT SS (SUC/DIS)	04-6039-03	8
38	¼ X 5" MS P B ALLEN BOLT	04-6303-61	4
39	5/16 MS HEX NUT	04-6305-61	16
40	5/16 X 20 X 2 MM SS WASHER	04-6216-03	40
41	¼ X 12.5 X 1.2 MM SS WASHER (P B ALLEN BOLT)	04-6202-03	4



AIR OPERATED DOUBLE DIAPHRAGM PUMPS



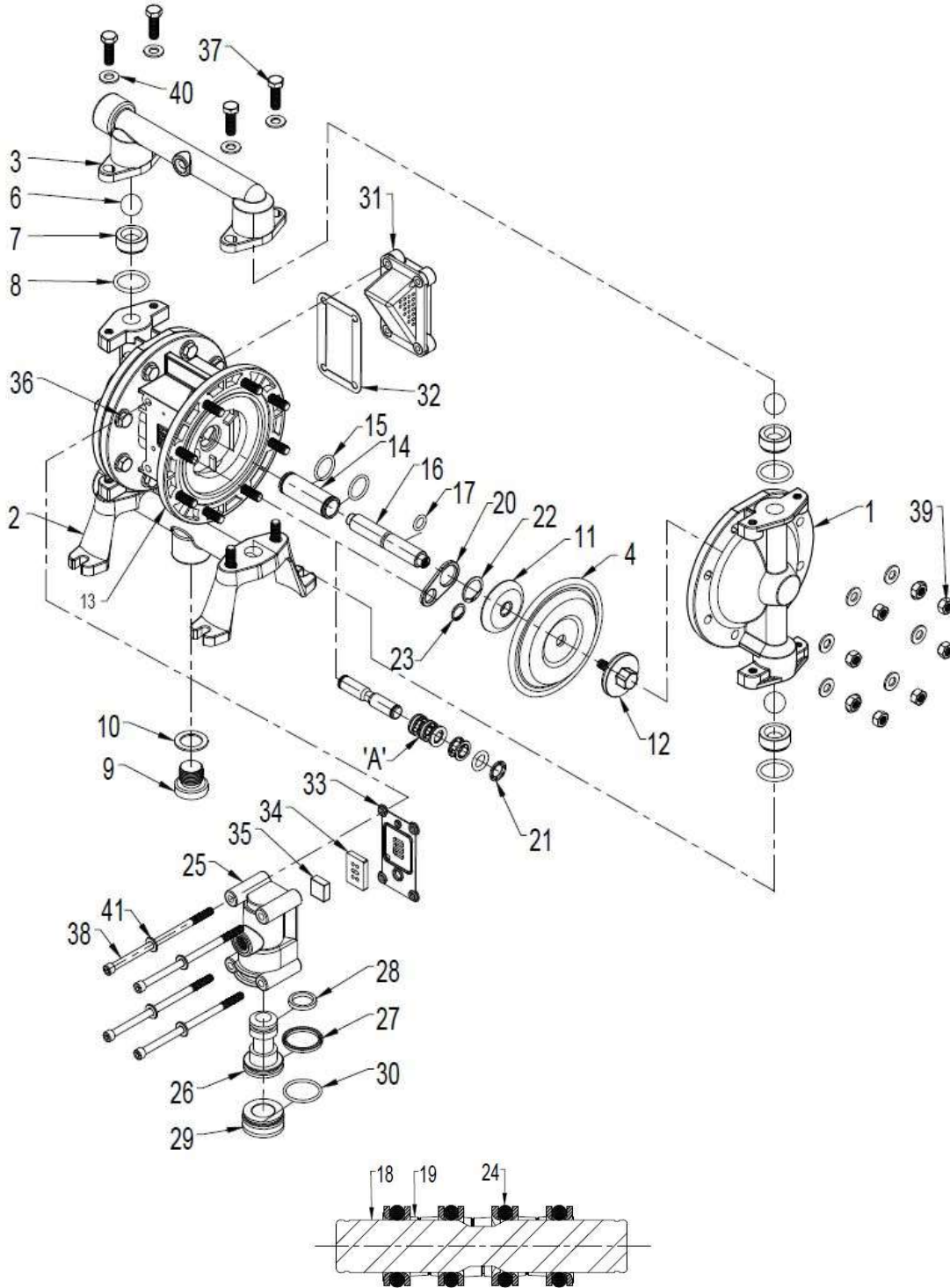
ISO 9001: 2008
ISO 14001: 2004

pricepumps.co.in

SECTION 3 – EXPLODED VIEW

½" ALUMINIUM PUMP

AOD 150/AAGP/BUN/TF/A/V



DETAIL 'A'



AIR OPERATED DOUBLE DIAPHRAGM PUMPS



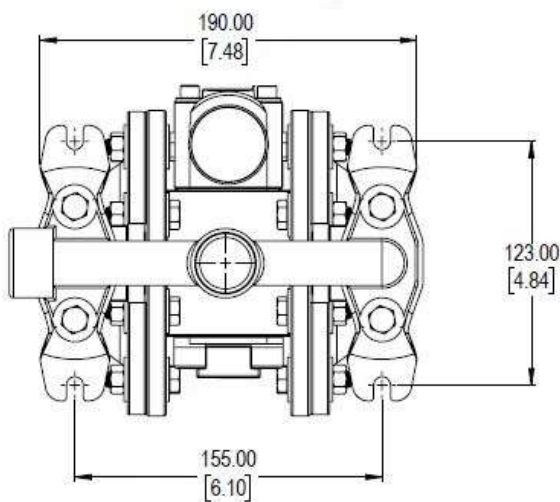
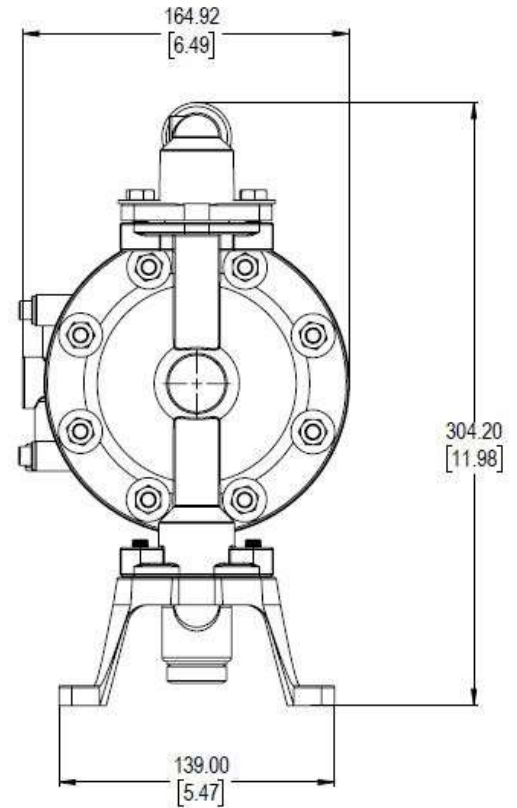
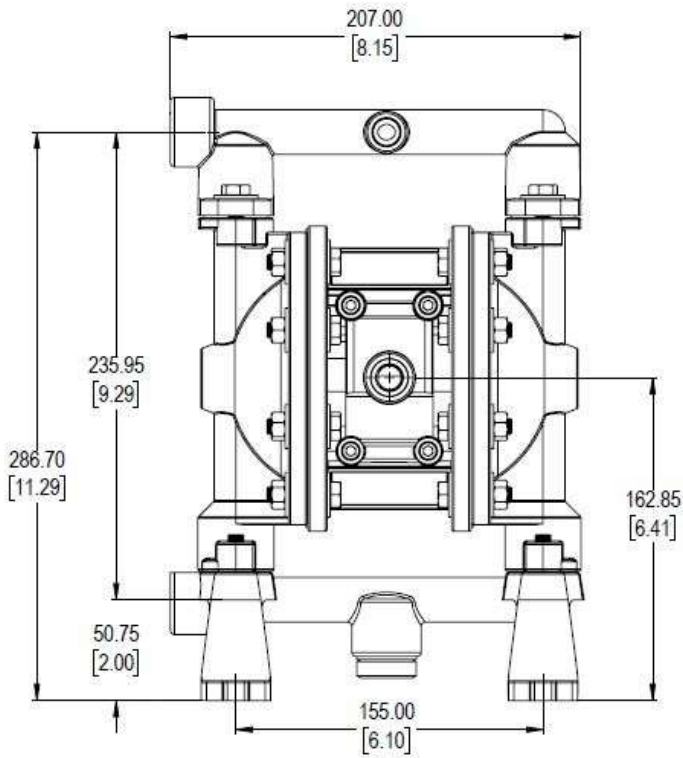
ISO 9001: 2008
ISO 14001: 2004

pricepumps.co.in

SECTION 4 – DIMENSIONAL DRAWING

½" ALUMINIUM PUMP

AOD 150/AAGP/BUN/TF/A/V





AIR OPERATED DOUBLE DIAPHRAGM PUMPS



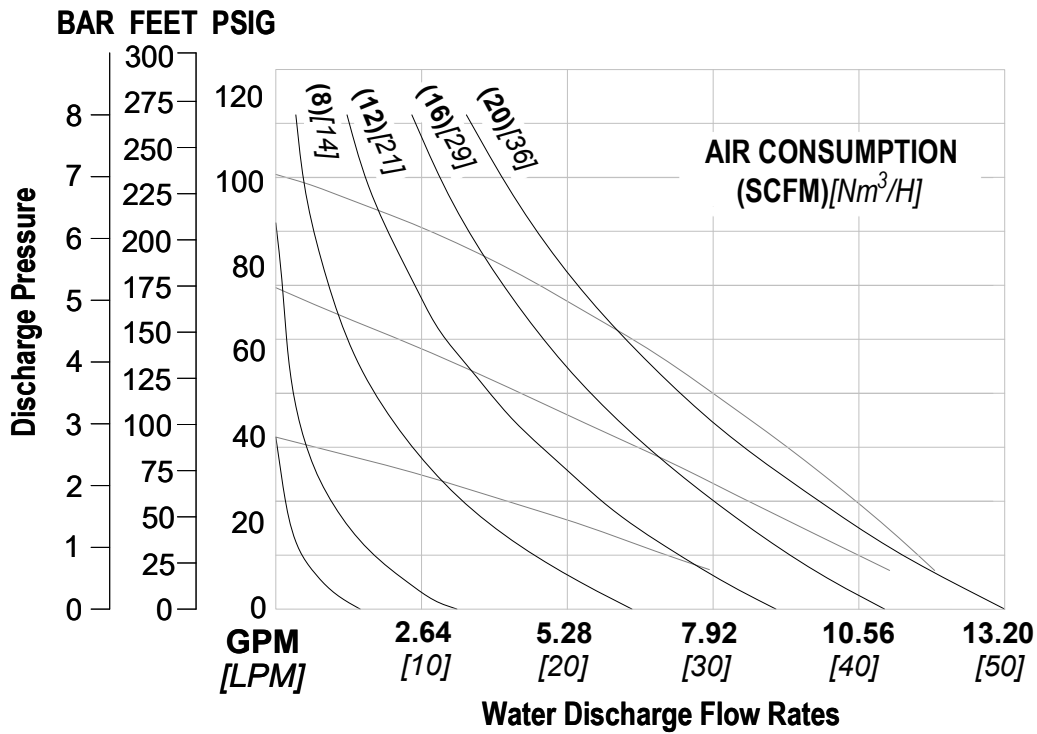
ISO 9001: 2008
ISO 14001: 2004

pricepumps.co.in

SECTION 5 – SPECIFICATION & PERFORMANCE

½” ALUMINIUM PUMP

AOD 150/AAGP/BUN/TF/A/V



SPECIFICATIONS:

MAX FLOW RATE:	45.5 Lpm (12 gpm)
MAX AIR PRESSURE:	100 psi (6.9 bar)
AIR INLET:	6 mm (1/4" BSP)
PORT INLET:	13 mm (1/2" BSP)
DISCHARGE:	13 mm (1/2" BSP)
MAX PARTICLE SIZE:	(Dia) 2.4 mm (3/32")
AIR EXHAUST:	N/A

SHIPPING DIMENSIONS:

HEIGHT:	350 mm (13.78")
WIDTH:	280 mm (11.02")
LENGTH:	230 mm (09.05")
WEIGHT:	4.77 Kgs

Price Pumps meet ISO 9001-2015, ISO 14001 & CE quality standards.



**AIR OPERATED
DOUBLE
DIAPHRAGM
PUMPS**



ISO 9001: 2008
ISO 14001: 2004

pricepumps.co.in

NOTES: