

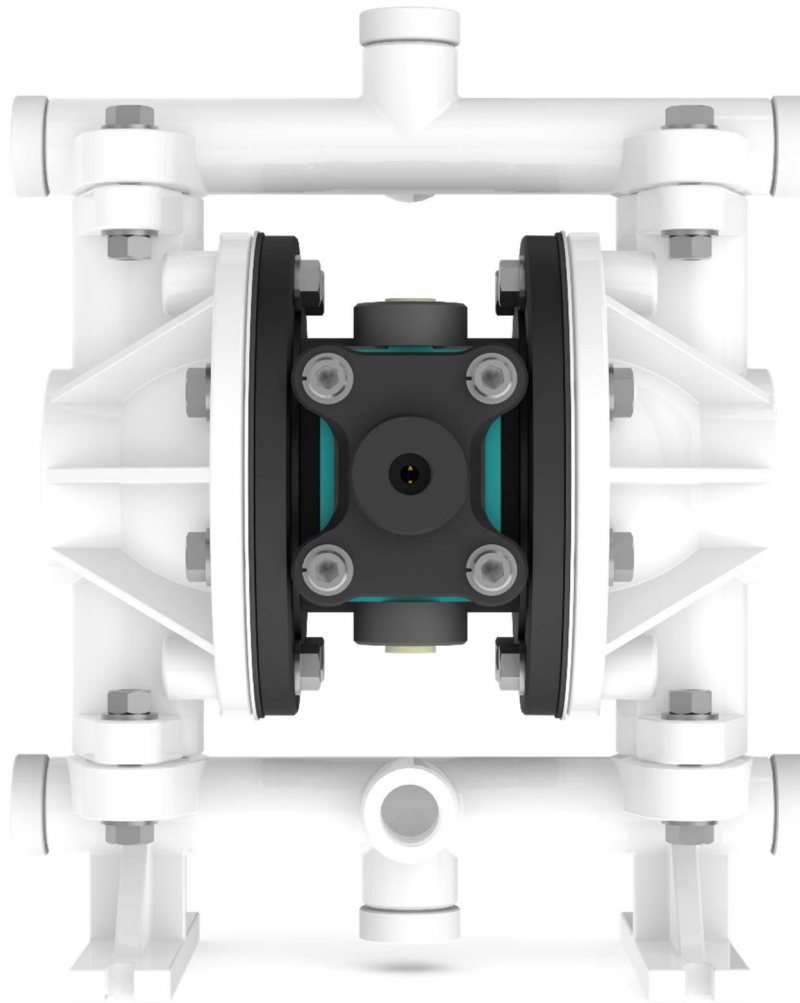


**AIR OPERATED
DOUBLE
DIAPHRAGM
PUMPS**



ISO 9001: 2008
ISO 14001: 2004

pricepumps.co.in



**1/2" POLYPROPYLENE PUMP
AOD 150 NSV PPGG/TEF/TF/P/T**

pricepumps.co.in



AIR OPERATED DOUBLE DIAPHRAGM PUMPS



ISO 9001: 2008
ISO 14001: 2004

pricepumps.co.in

SECTION 1- LEGEND

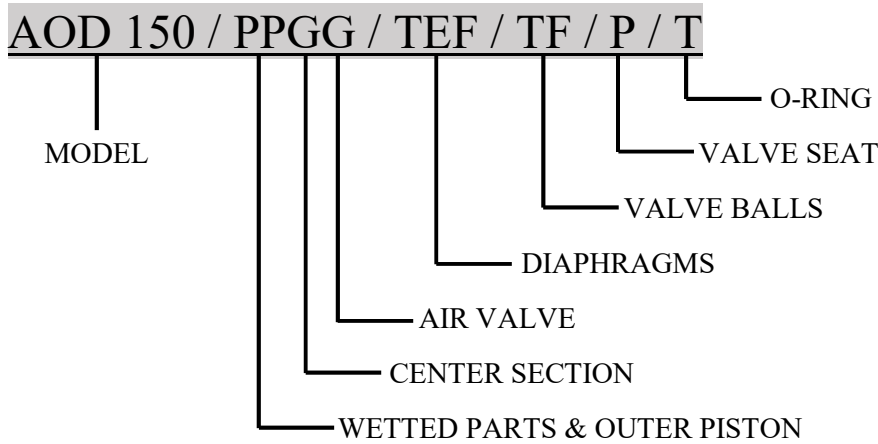
½” POLYPROPYLENE PUMP

AOD 150/PPGG/TEF/TF/P/T

MODEL: AOD 150 NSV POLYPROPYLENE

13 mm (½”) Pump

Maximum Flow Rate: 58.7 Lpm (15.5 gpm)



MATERIAL CODES

MODEL
AOD 150 = ½” PUMP

AIR VALVE
G = GLASS FILLED
POLYPROPYLENE

VALVE BALL
TF = TEFLON

WETTED PARTS & OUTER PISTON
PP = POLYPROPYLENE/
POLYPROPYLENE

DIAPHRAGMS
TEF = TEFLON

VALVE SEAT
P = POLYPROPYLENE

CENTER SECTION
G = GLASS FILLED
POLYPROPYLENE

VALVE SEAT O-RING
T = TEFLON



AIR OPERATED DOUBLE DIAPHRAGM PUMPS



ISO 9001: 2008
ISO 14001: 2004

pricepumps.co.in

SECTION 2 – SPARE PART LIST

½” POLYPROPYLENE PUMP

AOD 150/PPGG/TEF/TF/P/T

SR No.	DISCRIPTION	PART No	QTY
1	LIQUID CHAMBER	15-1002-20	2
2	SUCTION MANIFOLD	15-1022-20	1
3	DISCHARGE MANIFOLD	15-1032-20	1
4	NRV BALL	15-1041-55	4
5	BALL SEAT	15-1062-20	4
6	BALL CAGE	15-1092-20	4
7	MANIFOLD O RING	15-3101-55	4
8	HOLDING PLATE	15-1111-01	2
9	LOCK NUT	15-1131-20	2
10	DIAPHRAGM	15-2001-55	2
11	BACK UP DIAPHRAGM	15-2102-65	2
12	BEND PLUG	15-1361-20	6
13	BEND PLUG O RING	15-3185-55	6
14	CENTER BLOCK	15-1306-23	1
15	MAIN SHAFT	15-1342-03	1
16	CENTER BLOCK O RING	15-3152-51	4
17	EXHAUST PLATE	15-1367-23	1
18	PILOT BUSH	15-1481-07	1
19	PILOT SHAFT RING	15-3177-50	4
20	PILOT SHAFT	15-1455-03	1
21	PILOT BUSH RETAINING RING	15-1497-61	1
22	PILOT BUSH O RING	15-3166-51	8
23	PILOT SHAFT LOCK O RING	15-3181-51	2



AIR OPERATED DOUBLE DIAPHRAGM PUMPS



ISO 9001: 2008
ISO 14001: 2004

pricepumps.co.in

SECTION 2 – SPARE PART LIST (CONTINUED...)

½” POLYPROPYLENE PUMP

AOD 150/PPGG/TEF/TF/P/T

SR No.	DISCRIPTION	PART No	QTY
24	PISTON BLOCK	15-1506-23	1
25	PISTON BLOCK BUSH	15-1541-07	1
26	PISTON	15-1525-01	1
27	PISTON BLOCK BUSH O RING	15-3211-51	6
28	PISTON BLOCK CAP	15-1575-21	2
29	PISTON BLOCK CAP O RING	15-3268-51	2
30	PISTON BLOCK CAP RETAINING RING	15-1581-61	2
31	PISTON BLOCK COVER	15-1564-23	1
32	PISTON BLOCK GASKET	15-3324-60	1
33	PISTON BLOCK COVER GASKET	15-3334-60	1
34	EXHAUST	15-1366-23	1
35	AIR NIPPLE	15-1371-07	1
36	HOSE NIPPLE	15-1381-20	2
37	5/16" X ¾" HEX BOLTS SS (CHAMBER BOLTS SMALL)	04-6026-03	4
38	5/16" X 1¼" HEX BOLTS SS (CHAMBER BOLTS BIG)	04-6028-03	12
39	5/16" X 1½" HEX BOLTS SS (SUC/DIS)	04-6029-03	8
40	5/16" X 2" HEX BOLTS SS (P B)	04-6032-03	4
41	5/16 MS HEX NUT	04-6305-61	20
42	5/16 X 17 X 1.5 MM SS WASHER	04-6215-03	48
43	EXHUAST PLATE SCREW		4



AIR OPERATED DOUBLE DIAPHRAGM PUMPS



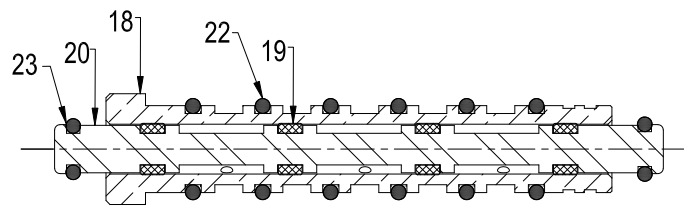
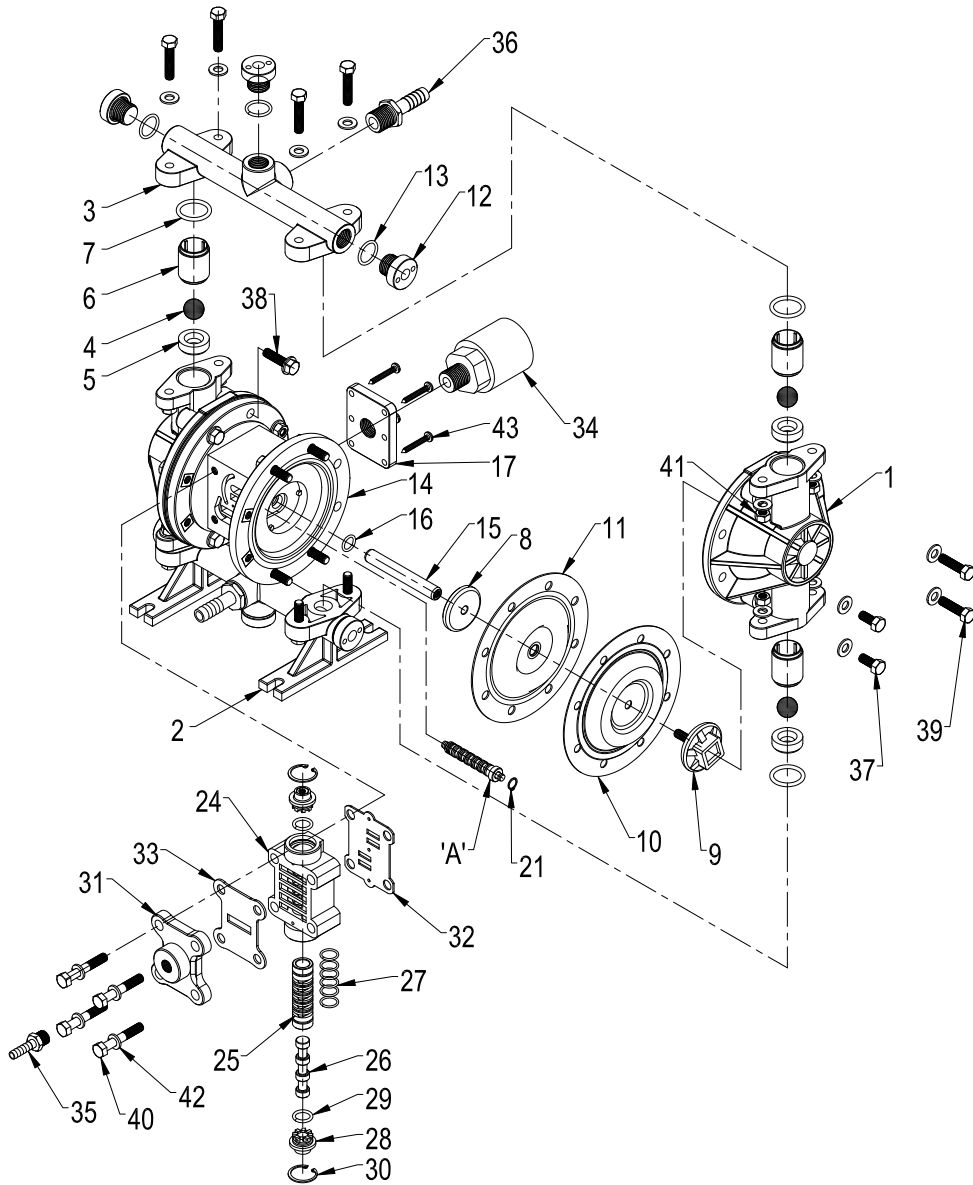
ISO 9001: 2008
ISO 14001: 2004

pricepumps.co.in

SECTION 3 – EXPLODED VIEW

½” POLYPROPYLENE PUMP

AOD 150/PPGG/TEF/TF/P/T



DETAIL 'A'



AIR OPERATED DOUBLE DIAPHRAGM PUMPS



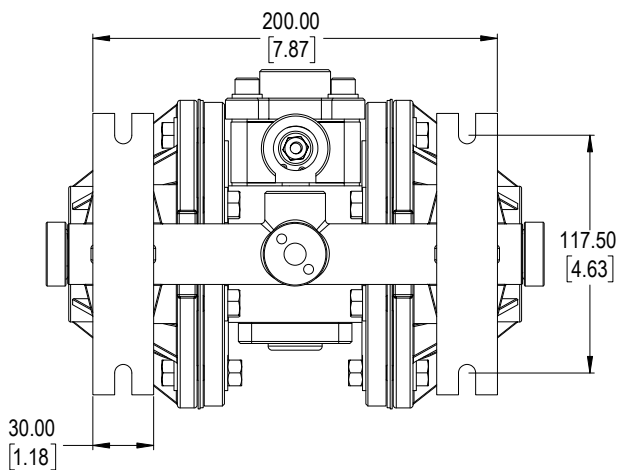
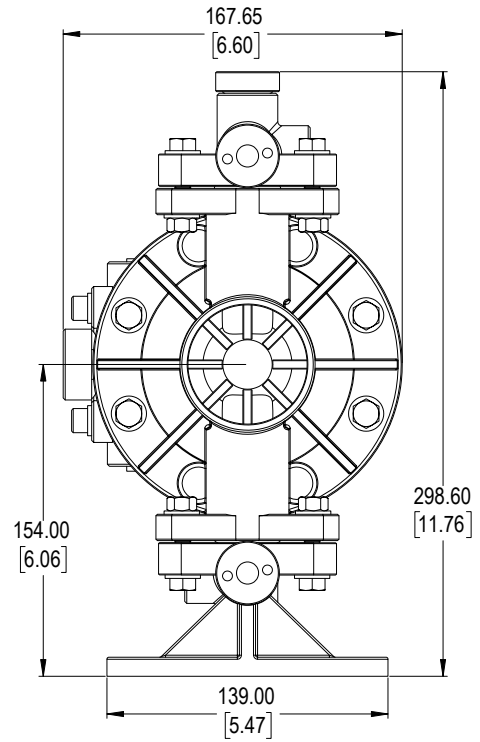
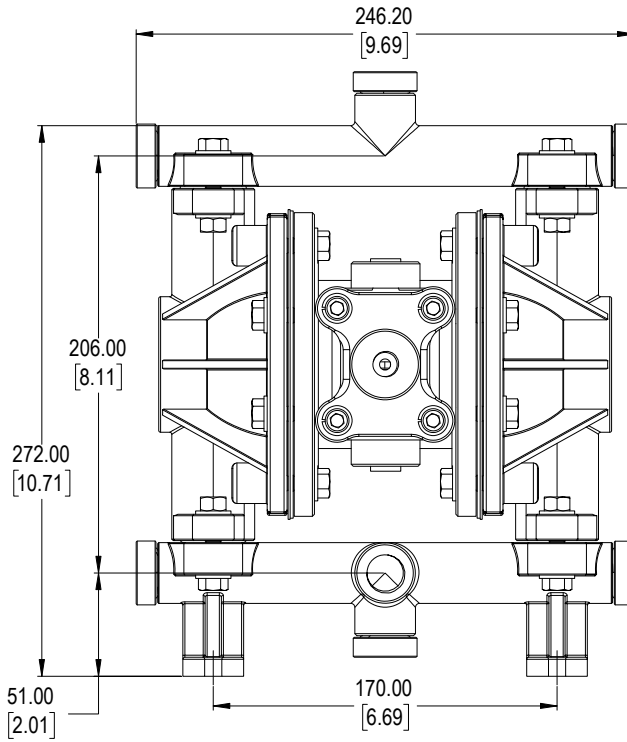
ISO 9001: 2008
ISO 14001: 2004

pricepumps.co.in

SECTION 4 – DIMENSIONAL DRAWING

½” POLYPROPYLENE PUMP

AOD 150/PPGG/TEF/TF/P/T





AIR OPERATED DOUBLE DIAPHRAGM PUMPS



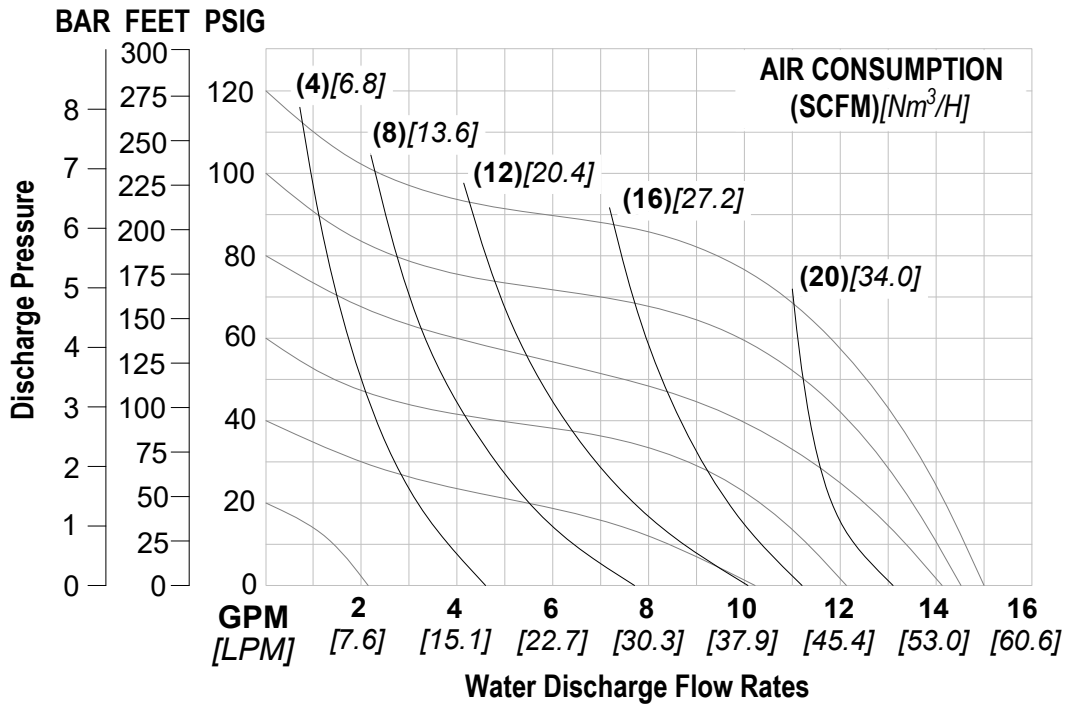
ISO 9001: 2008
ISO 14001: 2004

pricepumps.co.in

SECTION 5 – SPECIFICATION & PERFORMANCE

½” POLYPROPYLENE PUMP

AOD 150/PPGG/TEF/TF/P/T



SPECIFICATIONS:

MAX FLOW RATE: 58.7 Lpm (15.5 gpm)
 MAX AIR PRESSURE: 120 psi (8.3 bar)
 AIR INLET: 6 mm (1/4" BSP)
 PORT INLET: 13 mm (1/2" BSP)
 DISCHARGE: 13 mm (1/2" BSP)
 SUCTION LIFT: DRY: 5.2 m (17.0')
 WET: 8.7 m (28.4')
 MAX PARTICLE SIZE: (Dia) 1.6 mm (1/16")
 AIR EXHAUST: (1/2" BSP)

SHIPPING DIMENSIONS:

HEIGHT: 340 mm (13.39")
 WIDTH: 240 mm (09.45")
 LENGTH: 270 mm (10.63")
 WEIGHT: 5.2 Kgs

Price Pumps meet ISO 9001-2015, ISO 14001 & CE quality standards.



**AIR OPERATED
DOUBLE
DIAPHRAGM
PUMPS**



ISO 9001: 2008
ISO 14001: 2004

pricepumps.co.in

NOTES: