

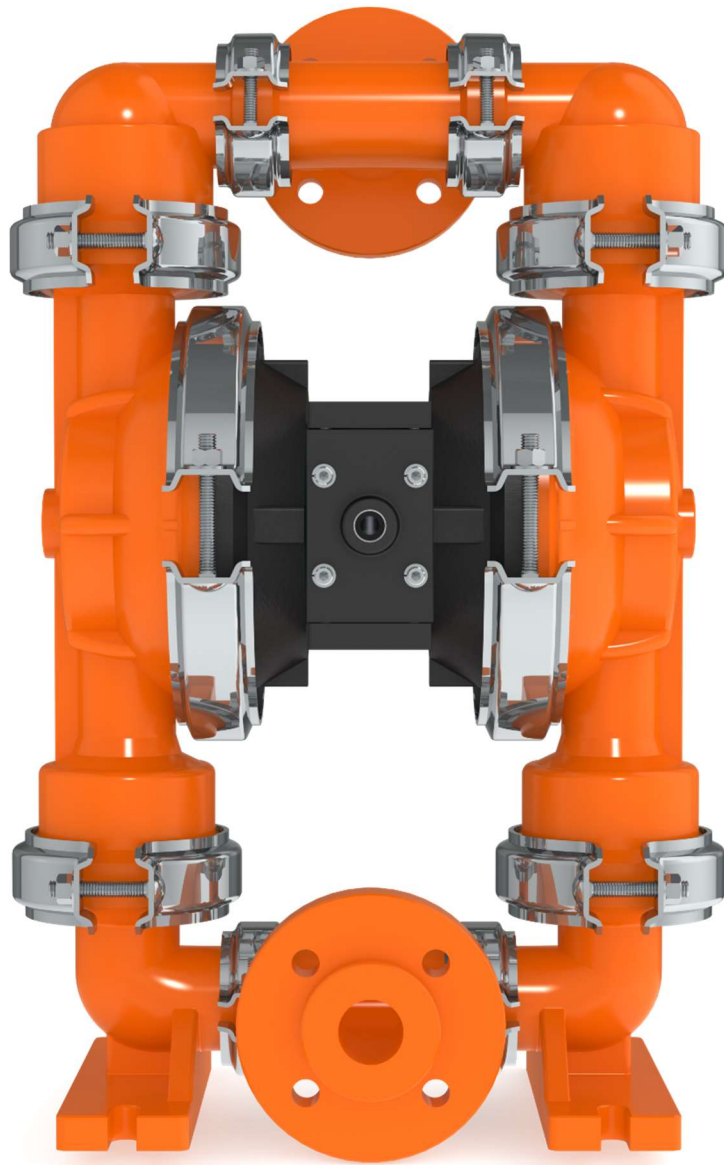


**AIR OPERATED
DOUBLE
DIAPHRAGM
PUMPS**



ISO 9001: 2008
ISO 14001: 2004

pricepumps.co.in



**1½" POLYPROPYLENE PUMP
AOD 25 M1 PPNG/TEF/TF/P/V**

pricepumps.co.in



AIR OPERATED DOUBLE DIAPHRAGM PUMPS



ISO 9001: 2008
ISO 14001: 2004

pricepumps.co.in

SECTION 1- LEGEND

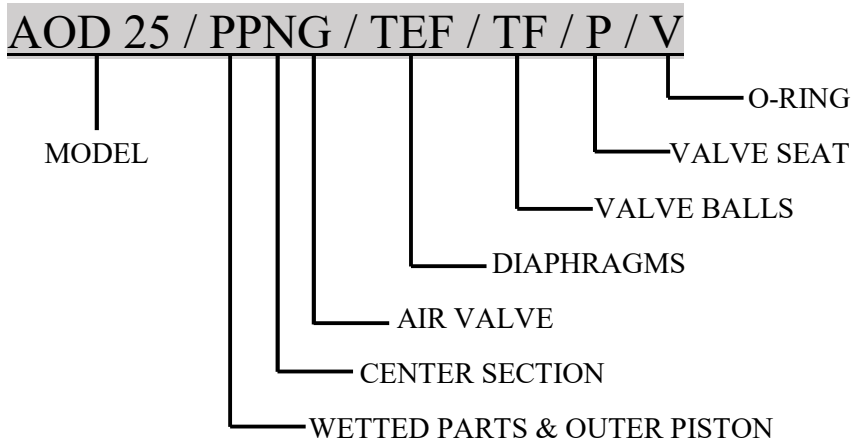
1½” POLYPROPYLENE PUMP

AOD 25/PPNG/TEF/TF/P/V

MODEL: AOD 25 M1 POLYPROPYLENE

38mm (1½”) Pump

Maximum Flow Rate: 379 Lpm (100 gpm)



MATERIAL CODES

MODEL
AOD 25 = 1½” PUMP

AIR VALVE
G = GLASS FILLED
POLYPROPYLENE

VALVE BALL
TF = TEFLON

WETTED PARTS & OUTER PISTON
PP = POLYPROPYLENE/
POLYPROPYLENE

DIAPHRAGMS
TEF = TEFLON

VALVE SEAT
P = POLYPROPYLENE

CENTER SECTION
N = NYLON

VALVE SEAT O-RING
V = VITON



AIR OPERATED DOUBLE DIAPHRAGM PUMPS



ISO 9001: 2008
ISO 14001: 2004

pricepumps.co.in

SECTION 2 – SPARE PART LIST

1½” POLYPROPYLENE PUMP

AOD 25/PPNG/TEF/TF/P/V

SR No.	DISCRIPTION	PART No	QTY
1	LIQUID CHAMBER	25-1001-20	2
2	SUCTION BEND	25-2141-20	2
3	DISCHARGE BEND	25-2151-20	2
4	SUCTION DISCHARGE TEE	25-1203-20	2
5	TEE O RING	40-3146-53	4
6	SEAT O RING	25-3121-53	4
7	NRV BALL	40-1041-55	4
8	BALL SEAT	25-1061-20	4
9	BALL CAGE	25-1092-20	4
10	TEE CLAMP	25-1211-61	8
11	CHAMBER CLAMP	40-1231-61	4
12	SUCTION DISCHARGE CLAMP	25-1221-61	8
13	HOLDING PLATE	40-1112-61	2
14	LOCK NUT	40-1132-20	2
15	DIAPHRAGM	40-2001-55	2
16	BACK UP DIAPHRAGM	40-2101-65	2
17	CENTER BLOCK	25-1301-24	1
18	CENTER BLOCK O RING	40-3151-51	7
19	MAIN SHAFT	25-1342-03	1
20	AIR COVER	25-1404-01	2
21	AIR COVER GASKET	25-3311-60	2
22	PISTON BLOCK	25-1501-23	1
23	PISTON	25-1525-01	1
24	PISTON BLOCK CAP	25-1575-23	2
25	PISTON BLOCK CAP O RING	25-3271-51	2
26	PISTON BLOCK GASKET	25-3324-60	1



SECTION 2 – SPARE PART LIST (CONTINUED...)

1½” POLYPROPYLENE PUMP

AOD 25/PPNG/TEF/TF/P/V

SR No.	DISCRIPTION	PART No	QTY
27	EXHAUST	15-1366-23	1
28	AIR NIPPLE	40-1371-07	1
29	STUB END	40-1387-20	2
30	FLANGE	40-1384-20	2
31	3/8" X 80 MM CARRIAGE BOLTS SS (CHAMBER BOLTS)	04-6023-03	4
32	3/8" X 60 MM CARRIAGE BOLTS SS (SUC/DIS)	04-6022-03	8
33	5/16" X 45 MM CARRIAGE BOLTS SS (TEE CLAMP)	04-6035-03	8
34	5/16" X 85 MM CSK BOLTS MS (AIR COVER)	04-6038-61	3
35	5/16 X 17 X 1.5 MM SS WASHER	04-6215-03	8
36	3/8 X 20.7 X 1.5 MM SS WASHER (CHAMBER)	04-6210-03	12
37	1/4 X 3/4 SS ALLEN BOLTS (25/50 M 1)	04-6054-03	8
38	¼ X 110 MM SS STUD (CENTER BLOCK 25/50 M 1)	04-6105-03	4
39	3/8 MS HEX NUT	04-6304-61	12
40	5/16 MS HEX NUT	04-6305-61	8
41	¼ MS HEX NUT	04-6302-61	8
42	¼ X 12.5 X 1.2 MM SS WASHER (P B ALLEN BOLT)	04-6202-03	8



AIR OPERATED DOUBLE DIAPHRAGM PUMPS



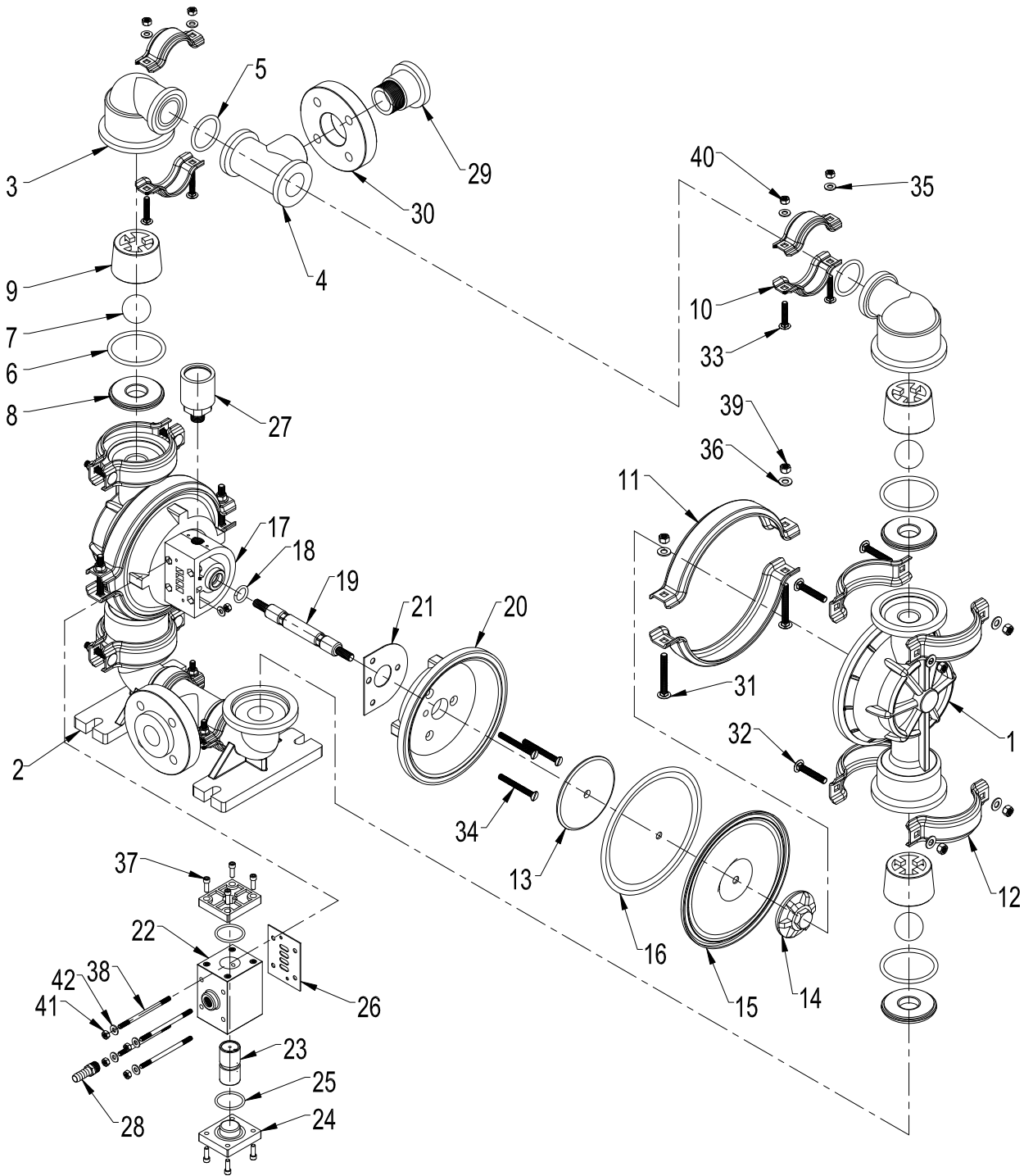
ISO 9001: 2008
ISO 14001: 2004

pricepumps.co.in

SECTION 3 – EXPLODED VIEW

1½" POLYPROPYLENE PUMP

AOD 25/PPNG/TEF/TF/P/V





AIR OPERATED DOUBLE DIAPHRAGM PUMPS



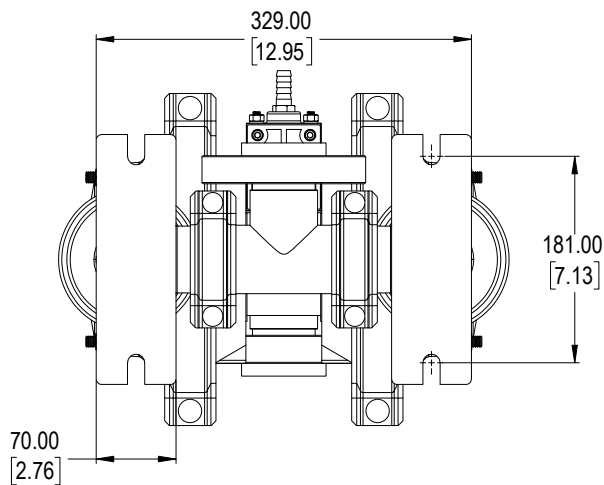
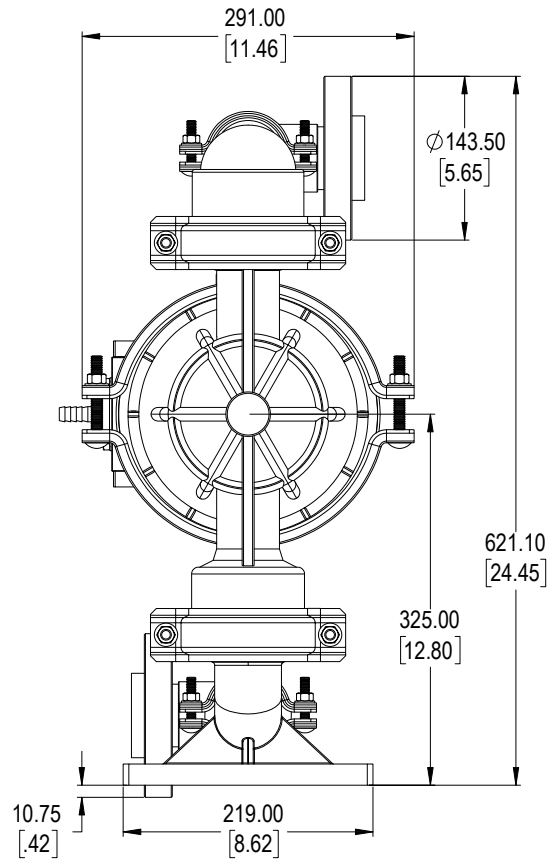
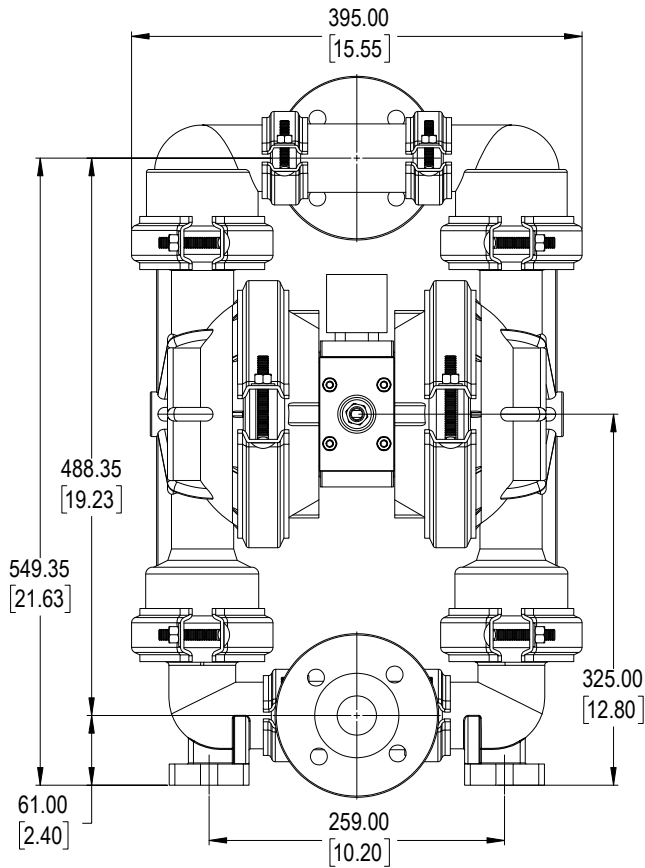
ISO 9001: 2008
ISO 14001: 2004

pricepumps.co.in

SECTION 4 – DIMENSIONAL DRAWING

1½" POLYPROPYLENE PUMP

AOD 25/PPNG/TEF/TF/P/V





AIR OPERATED DOUBLE DIAPHRAGM PUMPS



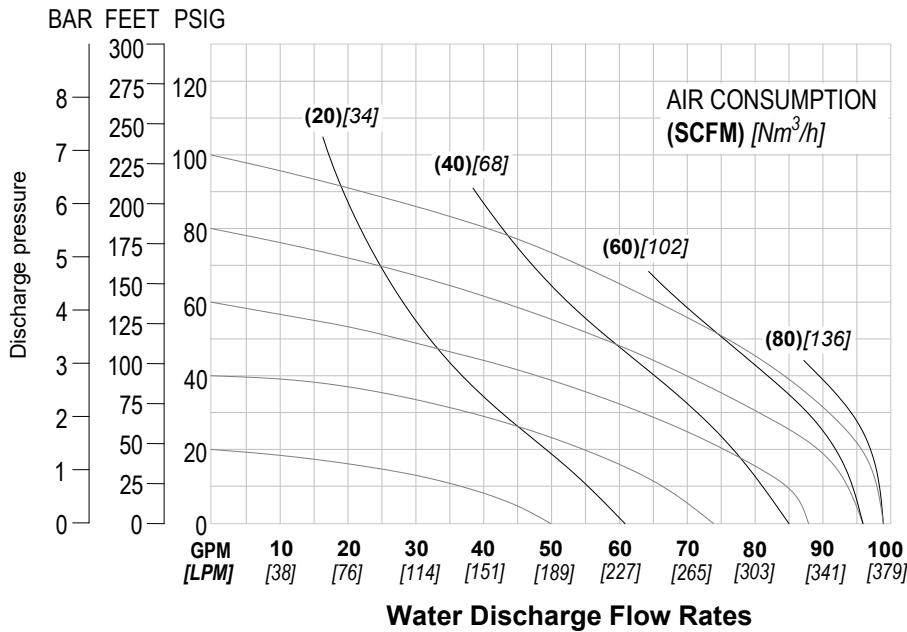
ISO 9001: 2008
ISO 14001: 2004

pricepumps.co.in

SECTION 5 – SPECIFICATION & PERFORMANCE

1½” POLYPROPYLENE PUMP

AOD 25/PPNG/TEF/TF/P/V



SPECIFICATIONS:

MAX FLOW RATE:	379 Lpm (100 gpm)
MAX AIR PRESSURE:	7 Kgs
AIR INLET:	19 mm (3/4" BSP)
PORT INLET:	38 mm (1-1/2" BSP)
DISCHARGE:	38 mm (1-1/2" BSP)
SUCTION LIFT: DRY:	5.9 m (19.5')
WET:	8.3 m (27.2')
MAX PARTICLE SIZE:	(Dia) 4.8 mm (3/16")
AIR EXHAUST:	(3/4" BSP)

SHIPPING DIMENSIONS:

HEIGHT:	680mm (26.77")
WIDTH:	390mm (15.35")
LENGTH:	450mm (17.72")
WEIGHT:	25 Kgs

Price Pumps meet ISO 9001-2015, ISO 14001 & CE quality standards.



**AIR OPERATED
DOUBLE
DIAPHRAGM
PUMPS**



ISO 9001: 2008
ISO 14001: 2004

pricepumps.co.in

NOTES: