

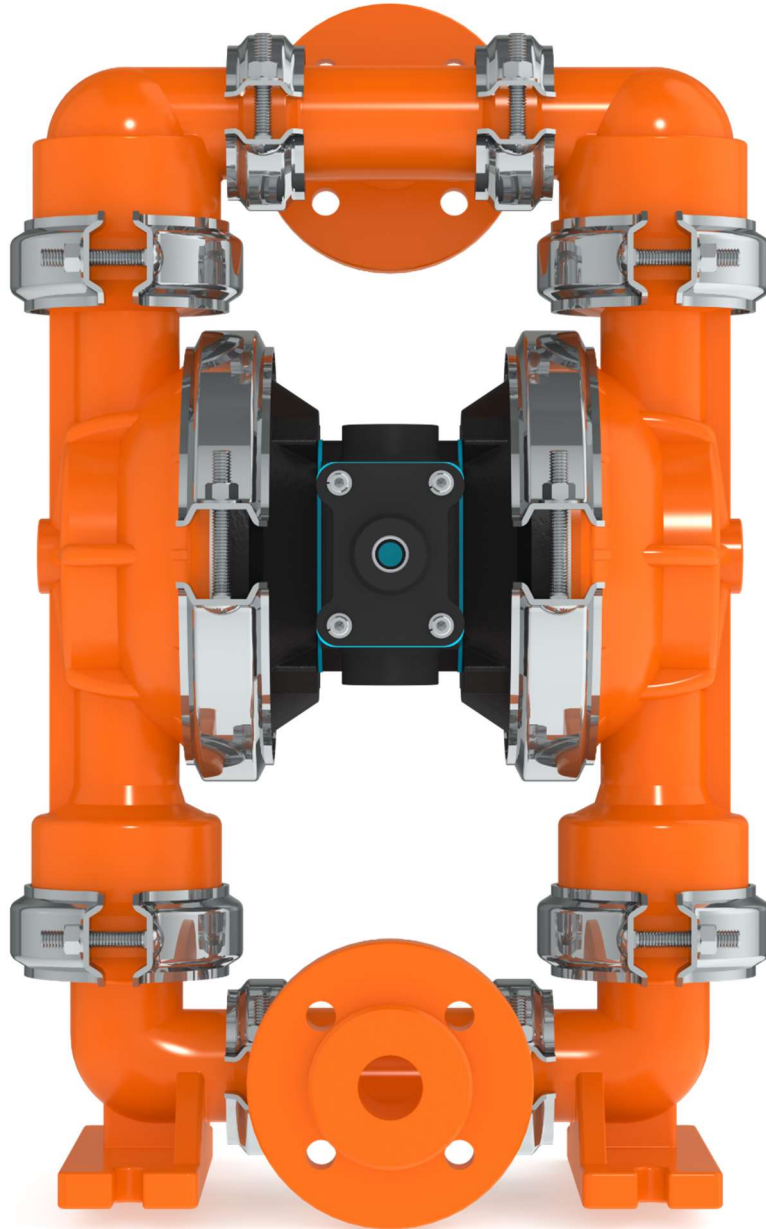


**AIR OPERATED  
DOUBLE  
DIAPHRAGM  
PUMPS**



ISO 9001: 2008  
ISO 14001: 2004

[pricepumps.co.in](http://pricepumps.co.in)



**1½" POLYPROPYLENE PUMP  
AOD 25 NSV PPGG/SAN/NE/P/N**

[pricepumps.co.in](http://pricepumps.co.in)



# AIR OPERATED DOUBLE DIAPHRAGM PUMPS



ISO 9001: 2008  
ISO 14001: 2004

[pricepumps.co.in](http://pricepumps.co.in)

## SECTION 1- LEGEND

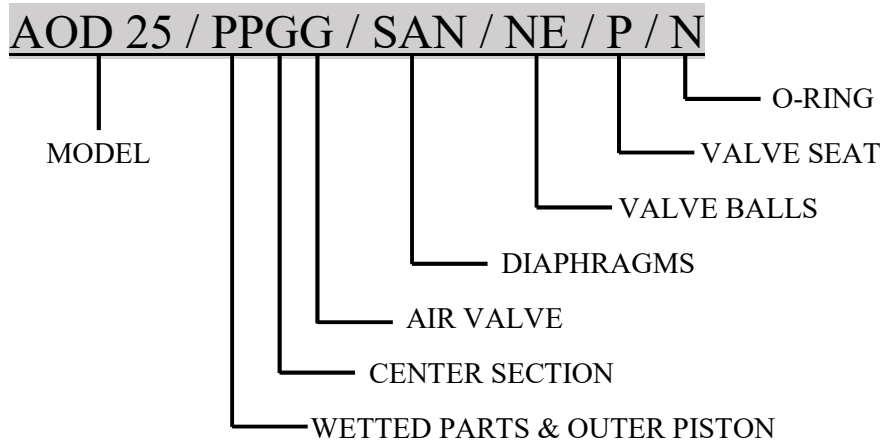
1½” POLYPROPYLENE PUMP

AOD 25/PPGG/SAN/NE/P/N

### MODEL: AOD 25 NSV POLYPROPYLENE

38mm (1½”) Pump

Maximum Flow Rate: 379 Lpm (100 gpm)



### MATERIAL CODES

MODEL  
AOD 25 = 1½” PUMP

AIR VALVE  
G = GLASS FILLED  
POLYPROPYLENE

VALVE BALL  
NE = NEOPRENE

WETTED PARTS & OUTER PISTON  
PP = POLYPROPYLENE/  
POLYPROPYLENE

DIAPHRAGMS  
SAN = SANTOPRENE

VALVE SEAT  
P = POLYPROPYLENE

CENTER SECTION  
G = GLASS FILLED  
POLYPROPYLENE

VALVE SEAT O-RING  
N = NEOPRENE



# AIR OPERATED DOUBLE DIAPHRAGM PUMPS



ISO 9001: 2008  
ISO 14001: 2004

[pricepumps.co.in](http://pricepumps.co.in)

## SECTION 2 – SPARE PART LIST

1½” POLYPROPYLENE PUMP

AOD 25/PPGG/SAN/NE/P/N

| SR No. | DISCRIPTION             | PART No    | QTY |
|--------|-------------------------|------------|-----|
| 1      | LIQUID CHAMBER          | 25-1002-20 | 2   |
| 2      | SUCTION BEND            | 25-2141-20 | 2   |
| 3      | DISCHARGE BEND          | 25-2151-20 | 2   |
| 4      | SUCTION DISCHARGE TEE   | 25-1203-20 | 2   |
| 5      | TEE O RING              | 40-3146-51 | 4   |
| 6      | SEAT O RING             | 25-3121-51 | 4   |
| 7      | NRV BALL                | 40-1041-51 | 4   |
| 8      | BALL SEAT               | 25-1061-20 | 4   |
| 9      | BALL CAGE               | 25-1092-20 | 4   |
| 10     | TEE CLAMP               | 25-1211-61 | 8   |
| 11     | CHAMBER CLAMP           | 40-1231-61 | 4   |
| 12     | SUCTION DISCHARGE CLAMP | 25-1221-61 | 8   |
| 13     | HOLDING PLATE           | 40-1112-61 | 2   |
| 14     | LOCK NUT                | 40-1131-20 | 2   |
| 15     | DIAPHRAGM               | 40-2041-58 | 2   |
| 16     | BACK UP DIAPHRAGM       | N/A        | -   |
| 17     | CENTER BLOCK            | 40-1306-23 | 1   |
| 18     | CENTER BLOCK O RING     | 40-3155-56 | 4   |
| 19     | CENTER BLOCK PIPE       | 40-1316-03 | 4   |
| 20     | MAIN SHAFT              | 40-1341-03 | 1   |
| 21     | AIR COVER               | 25-1401-23 | 2   |
| 22     | AIR COVER GASKET        | 40-3311-60 | 2   |
| 23     | AIR COVER BUFFER        | 40-1426-51 | 2   |
| 24     | PILOT SHAFT             | 40-1455-03 | 1   |
| 25     | PILOT DRILL BUSH        | 40-1493-07 | 5   |
| 26     | PILOT SHAFT O RING      | 40-3176-56 | 6   |
| 27     | PILOT PLANE BUSH        | 40-1491-07 | 2   |



# AIR OPERATED DOUBLE DIAPHRAGM PUMPS



ISO 9001: 2008  
ISO 14001: 2004

[pricepumps.co.in](http://pricepumps.co.in)

## SECTION 2 – SPARE PART LIST (CONTINUED...)

1½” POLYPROPYLENE PUMP

AOD 25/PPGG/SAN/NE/P/N

| SR No. | DISCRIPTION                                    | PART No    | QTY |
|--------|--|------------|-----|
| 28     | PISTON BLOCK                                   | 30-1506-23 | 1   |
| 29     | PISTON BLOCK BUSH                              | 40-1541-07 | 1   |
| 30     | PISTON BLOCK CAP/ PISTON BLOCK BUSH O RING     | 40-3270-51 | 8   |
| 31     | PISTON   | 40-1525-01 | 1   |
| 32     | PISTON O RING                                  | 40-3205-51 | 3   |
| 33     | PISTON RING                                    | 40-3261-64 | 3   |
| 34     | PISTON BLOCK CAP                               | 40-1575-63 | 2   |
| 35     | PISTON BLOCK CAP CIRCLIP                       | 40-1581-61 | 2   |
| 36     | PISTON BLOCK COVER                             | 40-1564-23 | 1   |
| 37     | PISTON BLOCK GASKET                            | 40-3324-60 | 1   |
| 38     | PISTON BLOCK COVER GASKET                      | 40-3334-60 | 1   |
| 39     | EXHAUST  | 40-1366-23 | 1   |
| 40     | AIR NIPPLE                                     | 40-1371-07 | 1   |
| 41     | STUB END                                       | 40-1387-20 | 2   |
| 42     | FLANGE   | 40-1384-20 | 2   |
| 43     | 3/8" X 80 MM CARRIAGE BOLTS SS (CHAMBER BOLTS) | 04-6023-03 | 4   |
| 44     | 3/8" X 60 MM CARRIAGE BOLTS SS (SUC/DIS)       | 04-6022-03 | 8   |
| 45     | 5/16" X 50 MM CARRIAGE BOLTS SS (TEE CLAMP)    | 04-6037-03 | 8   |
| 46     | 5/16" X 1" CSK BOLTS SS (AIR COVER)            | 04-6027-03 | 10  |
| 47     | 5/16 X 17 X 1.5 MM SS WASHER                   | 04-6215-03 | 8   |
| 48     | 3/8 X 20.7 X 1.5 MM SS WASHER (CHAMBER)        | 04-6210-03 | 12  |
| 49     | ¼" X 3½" ALLEN BOLTS MS (P B)                  | 04-6004-61 | 4   |
| 50     | ¼ X 12.5 X 1.2 MM SS WASHER (P B ALLEN BOLT)   | 04-6202-03 | 4   |
| 51     | 3/8 MS HEX NUT                                 | 04-6304-61 | 12  |
| 52     | 5/16 MS HEX NUT                                | 04-6305-61 | 8   |



# AIR OPERATED DOUBLE DIAPHRAGM PUMPS



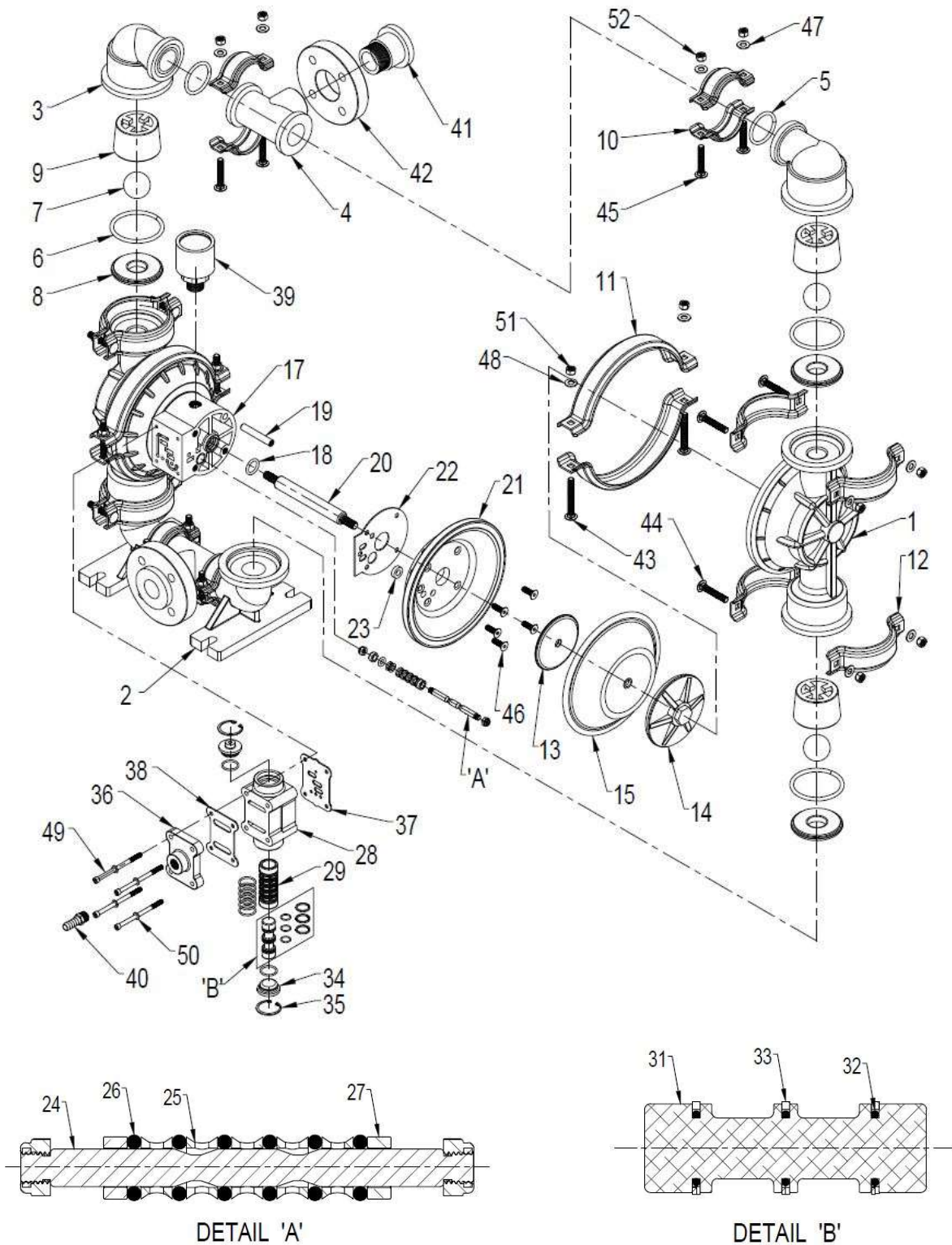
ISO 9001: 2008  
ISO 14001: 2004

pricepumps.co.in

## SECTION 3 – EXPLODED VIEW

1½" POLYPROPYLENE PUMP

AOD 25/PPGG/SAN/NE/P/N







# AIR OPERATED DOUBLE DIAPHRAGM PUMPS



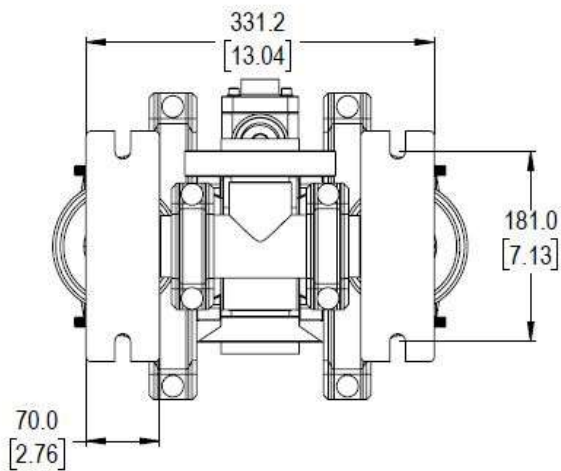
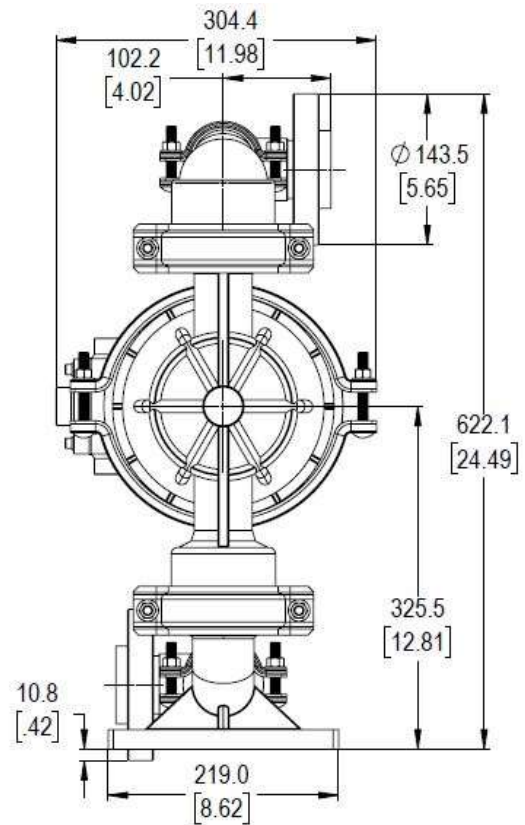
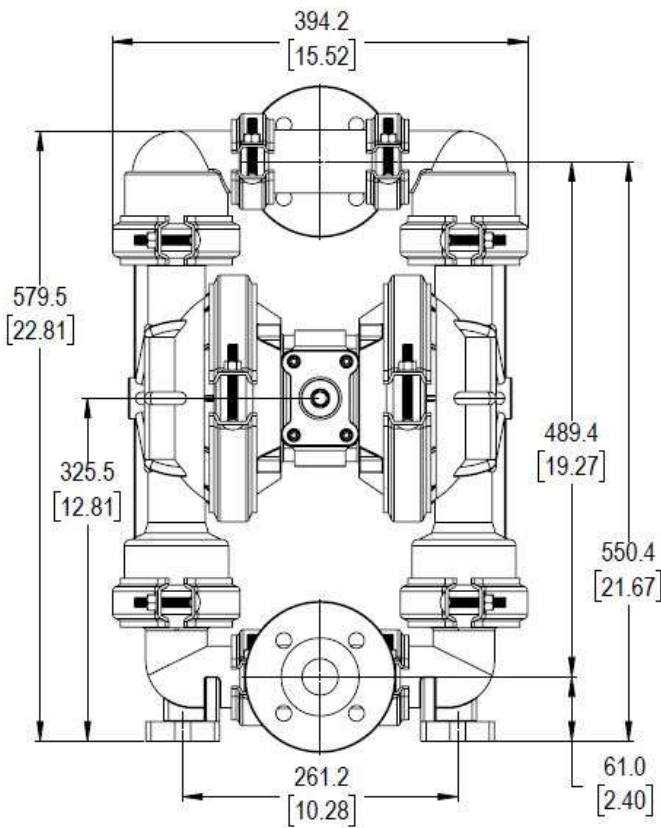
ISO 9001: 2008  
ISO 14001: 2004

[pricepumps.co.in](http://pricepumps.co.in)

## SECTION 4 – DIMENSIONAL DRAWING

1½" POLYPROPYLENE PUMP

AOD 25/PPGG/SAN/NE/P/N





# AIR OPERATED DOUBLE DIAPHRAGM PUMPS



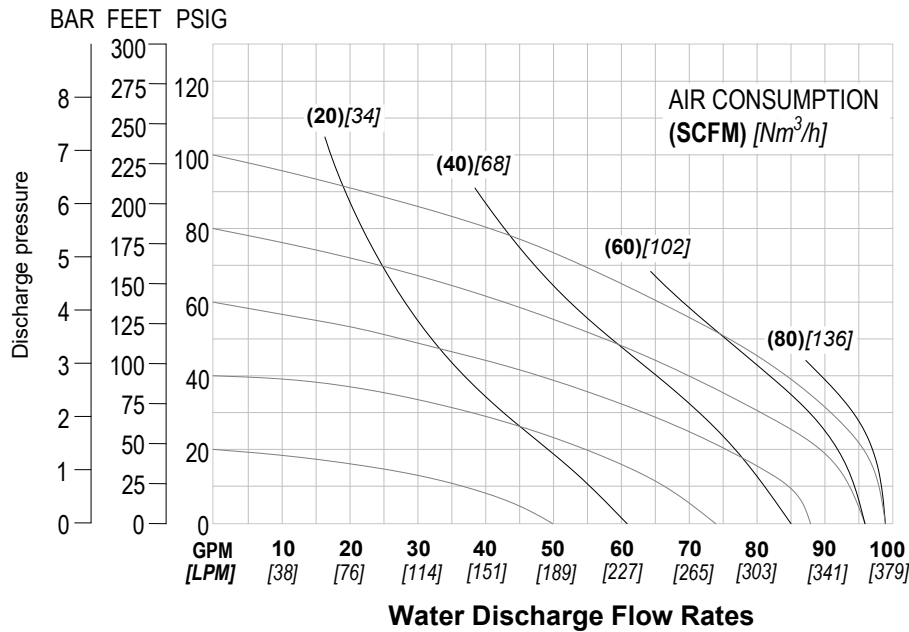
ISO 9001: 2008  
ISO 14001: 2004

pricepumps.co.in

## SECTION 5 – SPECIFICATION & PERFORMANCE

1½” POLYPROPYLENE PUMP

AOD 25/PPGG/SAN/NE/P/N



### SPECIFICATIONS:

MAX FLOW RATE: 379 Lpm (100 gpm)  
 MAX AIR PRESSURE: 7 Kgs  
 AIR INLET: 9.5 mm (3/8" BSP)  
 PORT INLET: 38 mm (1-1/2" BSP)  
 DISCHARGE: 38 mm (1-1/2" BSP)  
 SUCTION LIFT: DRY: 5.9 m (19.5')  
                   WET: 8.3 m (27.2')  
 MAX PARTICLE SIZE: (Dia) 4.8 mm (3/16")  
 AIR EXHAUST: (1/2" BSP)

### SHIPPING DIMENSIONS:

HEIGHT: 680mm (26.77")  
 WIDTH: 390mm (15.35")  
 LENGTH: 450mm (17.72")  
 WEIGHT: 24 Kgs

Price Pumps meet ISO 9001-2015, ISO 14001 & CE quality standards.



**AIR OPERATED  
DOUBLE  
DIAPHRAGM  
PUMPS**



ISO 9001: 2008  
ISO 14001: 2004

[pricepumps.co.in](http://pricepumps.co.in)

**NOTES:**