



**AIR OPERATED  
DOUBLE  
DIAPHRAGM  
PUMPS**



ISO 9001: 2008  
ISO 14001: 2004

[pricepumps.co.in](http://pricepumps.co.in)



**1" ALUMINIUM PUMP  
AOD 300 AF ASAA/BUN/NE/A/N**

[pricepumps.co.in](http://pricepumps.co.in)



# AIR OPERATED DOUBLE DIAPHRAGM PUMPS



ISO 9001: 2008  
ISO 14001: 2004

[pricepumps.co.in](http://pricepumps.co.in)

## SECTION 1- LEGEND

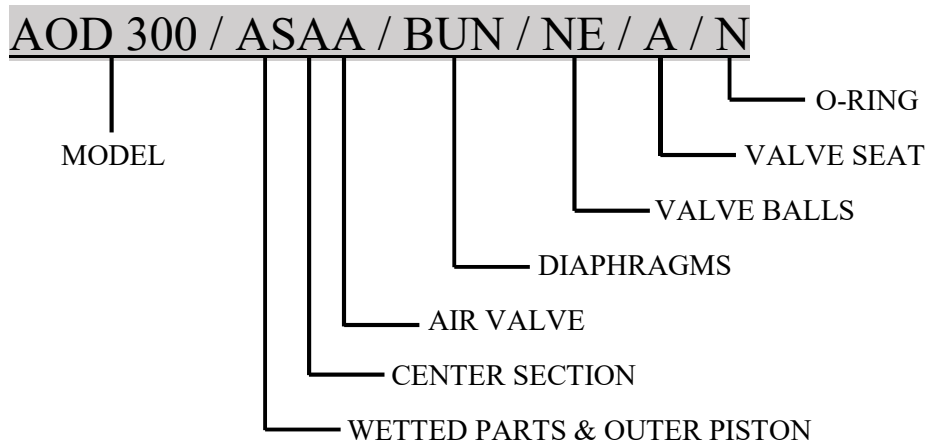
1" ALUMINIUM PUMP

AOD 300/ASAA/BUN/NE/A/N

### MODEL: AOD 300 AF ALUMINIUM

25mm (1") Pump

Maximum Flow Rate: 133 Lpm (35 gpm)



### MATERIAL CODES

MODEL  
AOD 300 = 1" PUMP

AIR VALVE  
A = ALUMINIUM

VALVE BALL  
NE = NEOPRENE

WETTED PARTS & OUTER PISTON  
AS = ALUMINIUM/  
STAINLESS STEEL

DIAPHRAGMS  
BUN = BUNA-N

VALVE SEAT  
A = ALUMINIUM

CENTER SECTION  
A = ALUMINIUM

VALVE SEAT O-RING  
N = NEOPRENE



# AIR OPERATED DOUBLE DIAPHRAGM PUMPS



ISO 9001: 2008  
ISO 14001: 2004

[pricepumps.co.in](http://pricepumps.co.in)

## SECTION 2 – SPARE PART LIST

1" ALUMINIUM PUMP

AOD 300/ASAA/BUN/NE/A/N

SR NO.	DISCRIPTION	PART NO.	QTY.
1	LIQUID CHAMBER	30-1001-01	2
2	SUCTION/DISCHARGE MANIFOLD	30-1021-01	2
3	NRV BALL	30-1042-51	4
4	BALL SEAT	30-1071-01	4
5	SEAT O RING	30-3101-51	4
6	HOLDING PLATE/ LOCK NUT	A30-1112-03	4
7	LOCK NUT (HEX BOLTS)	04-6043-03	2
8	LOCK NUT WASHER	04-6218-03	2
9	HOLDING PLATE/ LOCK NUT O RING	A30-0053-51	4
10	DIAPHRAGM	30-2061-52	2
11	BACKUP DIAPHRAGM	N/A	-
12	CENTER BLOCK	A30-1301-01	1
13	SLEEVE	A30-0004-XX	1
14	SLEEVE O RING	A30-0005-51	2
15	SLEEVE RETAINING RING	A30-1584-61	2
16	MAIN SHAFT	A30-1341-03	1
17	MAIN SHAFT O RING	A30-0008-51	1
18	PILOT SHAFT	A30-1451-03	1
19	SPACER	A15-1491-01	3
20	SPACER O RING	A15-3176-56	4
21	PILOT SLEEVE BUSHING	A30-0012-07	2
22	PILOT SHAFT LOCK O RING	A30-3181-51	2



# AIR OPERATED DOUBLE DIAPHRAGM PUMPS



ISO 9001: 2008  
ISO 14001: 2004

[pricepumps.co.in](http://pricepumps.co.in)

## SECTION 2 – SPARE PART LIST (CONTINUED...)

1" ALUMINIUM PUMP

AOD 300/ASAA/BUN/NE/A/N

SR NO.	DISCRIPTION	PART NO.	QTY.
23	PISTON	A30-1525-01	1
24	PISTON SPACER	A30-1541-01	4
25	PISTON SPACER BIG	A30-1542-01	1
26	PISTON SPACER WASHER	A30-1543-01	5
27	PISTON SPACER O RING SMALL	A30-3212-51	5
28	PISTON SPACER O RING BIG	A30-3211-51	6
29	PISTON BLOCK O GASKET	A30-0020-51	1
30	PISTON BLOCK U GASKET	A30-0021-51	1
31	STAND	30-1390-61	2
32	PISTON BLOCK CAP	A30-1571-20	1
33	PISTON BLOCK CAP U CUP	A30-3266-51	1
34	M 8 X 45 MM SS STUD	04-6103-03	16
35	M 8 X 25 MM HEX BOLTS SS (SUC/DIS)	04-6045-03	8
36	M 8 X 3/4" SS STAND BOLTS	04-6053-03	8
37	SLEEVE BUSHING SCREW SS	A30-6322-03	4
38	FLANGE NUT SS M 8	04-6306-03	16
39	¼ X 12.5 X 1.2 MM SS WASHER (P B ALLEN BOLT)	04-6202-03	8
40	EXHAUST	A30-1366-61	1



# AIR OPERATED DOUBLE DIAPHRAGM PUMPS



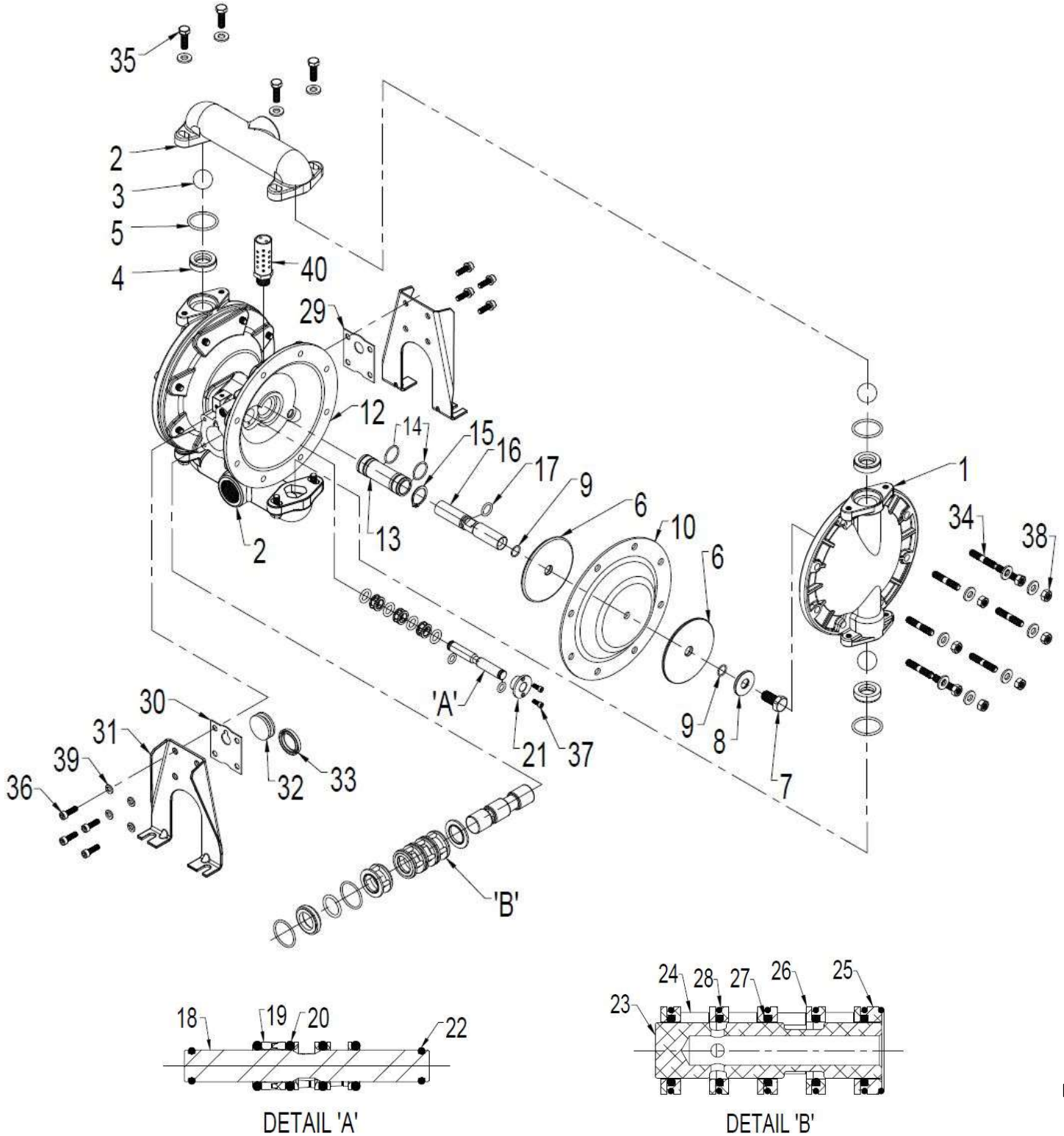
ISO 9001: 2008  
ISO 14001: 2004

pricepumps.co.in

## SECTION 3 – EXPLODED VIEW

1" ALUMINIUM PUMP

AOD 300/ASAA/BUN/NE/A/N





# AIR OPERATED DOUBLE DIAPHRAGM PUMPS



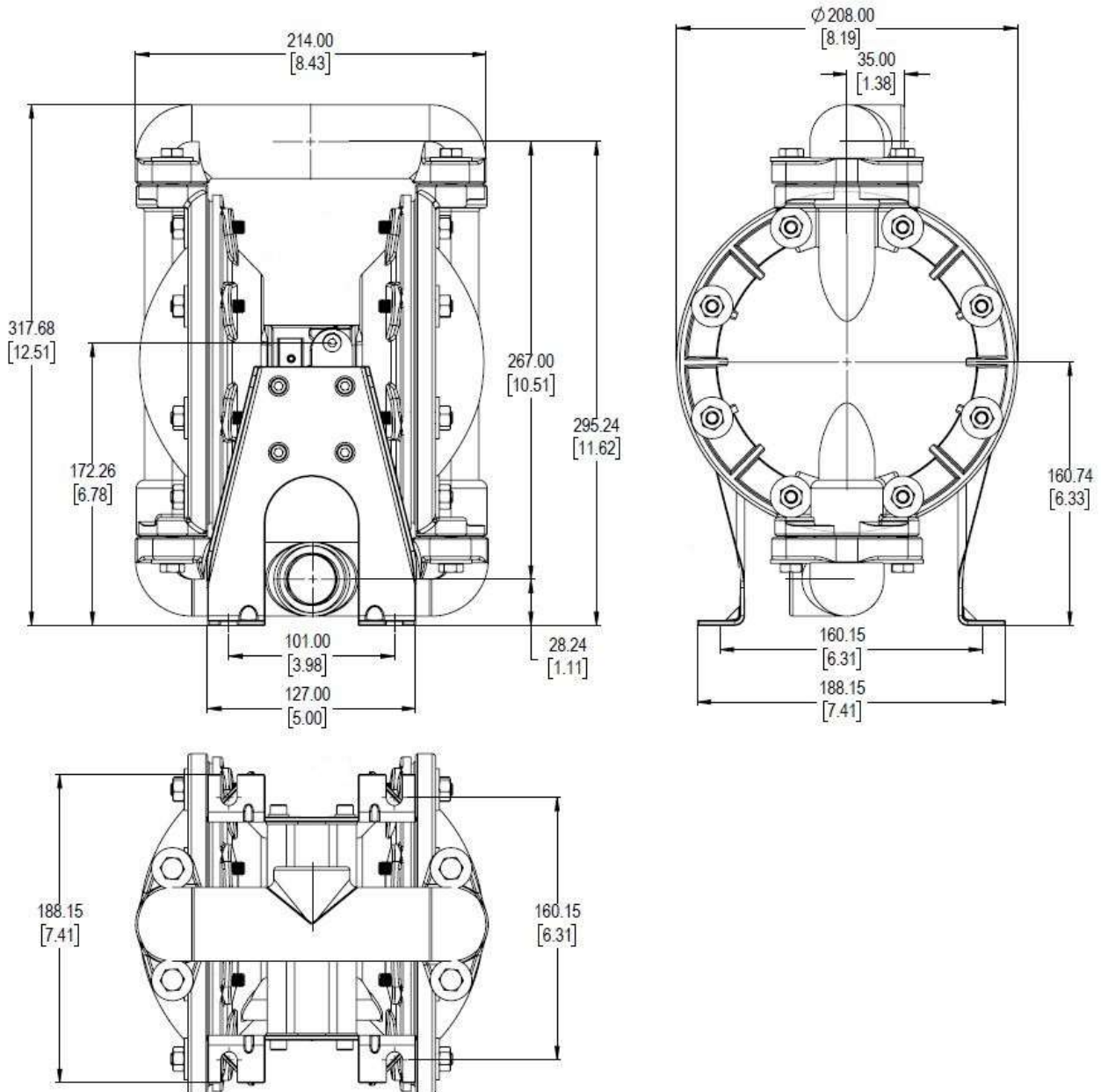
ISO 9001: 2008  
ISO 14001: 2004

[pricepumps.co.in](http://pricepumps.co.in)

## SECTION 4 – DIMENSIONAL DRAWING

1" ALUMINIUM PUMP

AOD 300/ASAA/BUN/NE/A/N





# AIR OPERATED DOUBLE DIAPHRAGM PUMPS



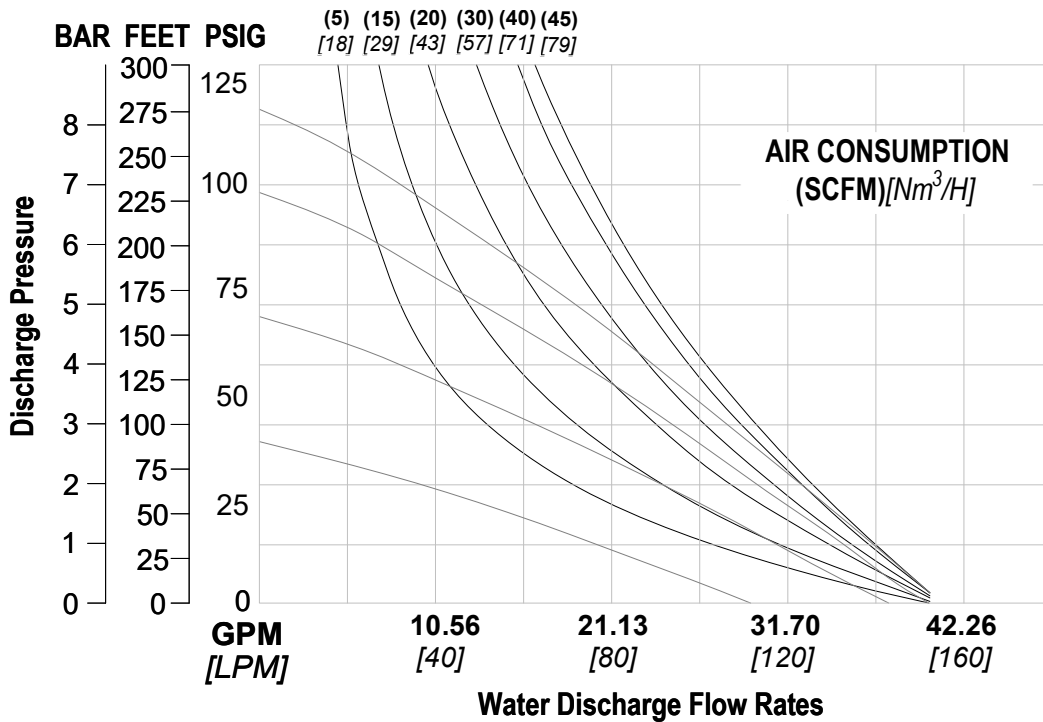
ISO 9001: 2008  
ISO 14001: 2004

pricepumps.co.in

## SECTION 5 – SPECIFICATION & PERFORMANCE

1" ALUMINIUM PUMP

AOD 300/ASAA/BUN/NE/A/N



### SPECIFICATIONS:

MAX FLOW RATE:	133 Lpm (35 gpm)
MAX AIR PRESSURE:	120 psi (8.3 bar)
AIR INLET:	6 mm (1/4" BSP)
PORT INLET:	25 mm (1" BSP)
DISCHARGE:	25 mm (1" BSP)
MAX PARTICLE SIZE:	(Dia) 3.2mm (1/8")
AIR EXHAUST:	(3/8" BSP)

### SHIPPING DIMENSIONS:

HEIGHT:	380mm (14.96")
WIDTH:	230mm (09.05")
LENGTH:	240mm (09.45")
WEIGHT:	10 Kgs

Price Pumps meet ISO 9001-2015, ISO 14001 & CE quality standards.



**AIR OPERATED  
DOUBLE  
DIAPHRAGM  
PUMPS**



ISO 9001: 2008  
ISO 14001: 2004

[pricepumps.co.in](http://pricepumps.co.in)

**NOTES:**