

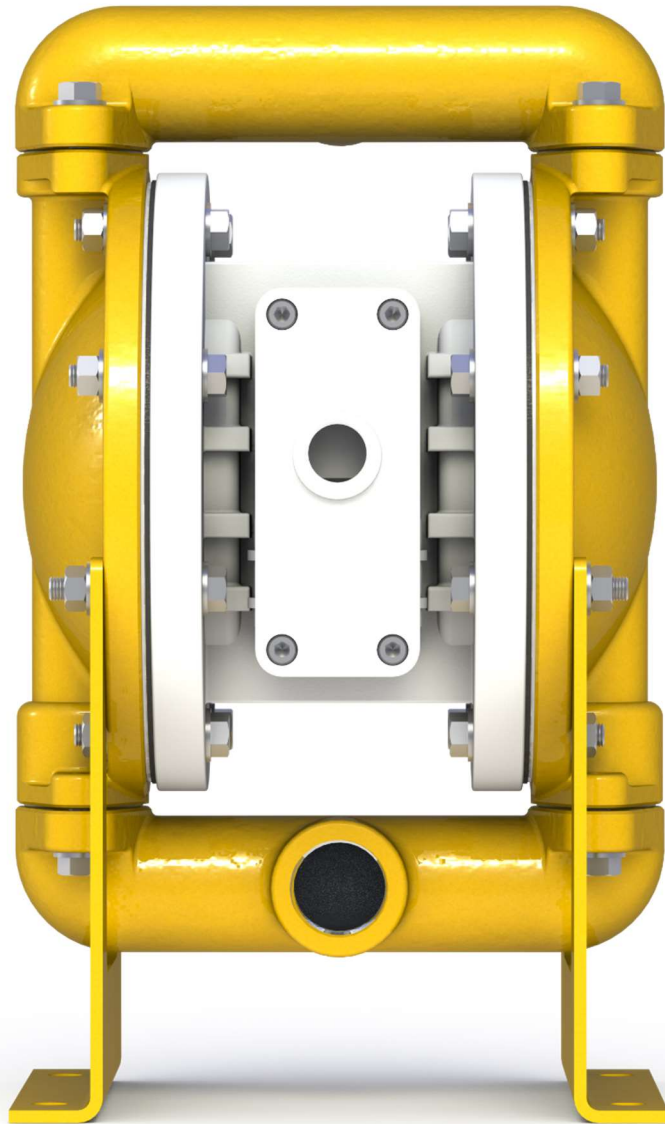


**AIR OPERATED
DOUBLE
DIAPHRAGM
PUMPS**



ISO 9001: 2008
ISO 14001: 2004

pricepumps.co.in



**1" ALUMINIUM PUMP
AOD 300 PF ASGP/HYT/NE/A/N**

pricepumps.co.in



AIR OPERATED DOUBLE DIAPHRAGM PUMPS



ISO 9001: 2008
ISO 14001: 2004

pricepumps.co.in

SECTION 1- LEGEND

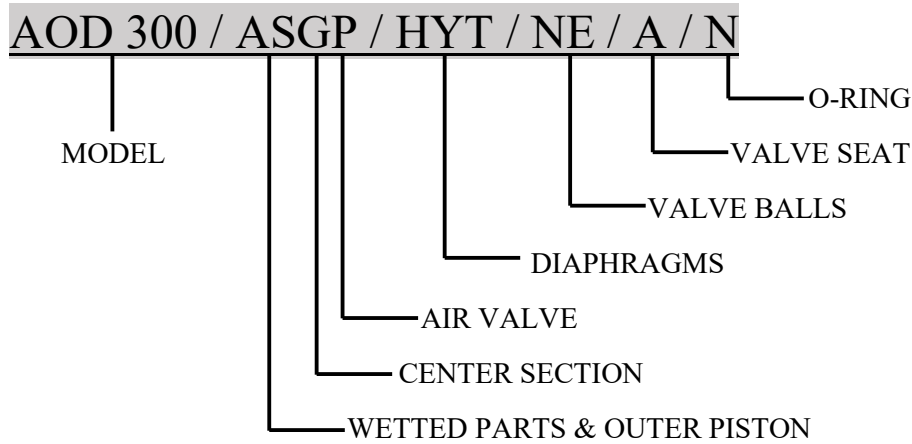
1" ALUMINIUM PUMP

AOD 300/ASGP/HYT/NE/A/N

MODEL: AOD 300 PF ALUMINIUM

25mm (1") Pump

Maximum Flow Rate: 135 Lpm (36 gpm)



MATERIAL CODES

MODEL
AOD 300 = 1" PUMP

AIR VALVE
P = POLYPROPYLENE

VALVE BALL
NE = NEOPRENE

WETTED PARTS & OUTER PISTON
AS = ALUMINIUM/
STAINLESS STEEL

DIAPHRAGMS
HYT = HYTREL

VALVE SEAT
A = ALUMINIUM

CENTER SECTION
G = GLASS FILLED
POLYPROPYLENE

VALVE SEAT O-RING
N = NEOPRENE



SECTION 2 – SPARE PART LIST

1” ALUMINIUM PUMP

AOD 300/ASGP/HYT/NE/A/N

| SR No. | DISCRIPTION | PART No | QTY |
|--------|-----------------------------|------------|-----|
| 1 | LIQUID CHAMBER | 30-1001-01 | 2 |
| 2 | SUCTION/ DISCHARGE MANIFOLD | 30-1021-01 | 2 |
| 3 | NRV BALL | 30-1042-51 | 4 |
| 4 | BALL SEAT | 30-1071-01 | 4 |
| 5 | SEAT O RING | 30-3101-51 | 4 |
| 6 | HOLDING PLATE/ LOCK NUT | 30-1112-03 | 4 |
| 7 | DIAPHRAGM | 30-2051-56 | 2 |
| 8 | BACK UP DIAPHRAGM | N/A | - |
| 9 | CENTER BLOCK | 30-1301-23 | 1 |
| 10 | REDUCER | 15-1376-21 | 1 |
| 11 | CENTER BLOCK O RING | 30-3155-56 | 2 |
| 12 | MAIN SHAFT | 30-1341-03 | 1 |
| 13 | PILOT SHAFT | 30-1451-03 | 1 |
| 14 | PILOT BUSH | 30-1471-07 | 1 |
| 15 | PILOT SHAFT O RING | 15-3176-56 | 4 |
| 16 | PILOT BUSH O RING | 15-3161-51 | 4 |
| 17 | PILOT SHAFT LOCK O RING | 40-3181-51 | 2 |
| 18 | PILOT BUSH CIRCLIP | 15-1496-61 | 2 |



AIR OPERATED DOUBLE DIAPHRAGM PUMPS



ISO 9001: 2008
ISO 14001: 2004

pricepumps.co.in

SECTION 2 – SPARE PART LIST (CONTINUED...)

1" ALUMINIUM PUMP

AOD 300/ASGP/HYT/NE/A/N

| SR No. | DISCRIPTION | PART No | QTY |
|--------|--|------------|-----|
| 19 | PISTON BLOCK | 15-1501-20 | 1 |
| 20 | PISTON PVC | 15-1521-69 | 1 |
| 21 | PISTON O RING BIG | 15-3201-51 | 1 |
| 22 | PISTON O RING SMALL | 15-3221-51 | 5 |
| 23 | PISTON RING BIG | 15-3241-68 | 1 |
| 24 | PISTON RING SMALL | 15-3246-68 | 5 |
| 25 | PISTON BLOCK CAP | 15-1571-20 | 1 |
| 26 | PISTON BLOCK CAP O RING | 15-3266-51 | 1 |
| 27 | PISTON BLOCK COVER | 15-1561-20 | 1 |
| 28 | PISTON BLOCK GASKET | 15-3321-51 | 1 |
| 29 | PISTON BLOCK COVER GASKET | 15-3331-51 | 1 |
| 30 | EXHAUST | 15-1366-23 | 1 |
| 31 | AIR NIPPLE | 15-1371-07 | 1 |
| 32 | STAND | 30-1389-61 | 2 |
| 33 | 5/16" X 1¾" HEX BOLTS SS (CHAMBER BOLTS SMALL) | 04-6030-03 | 12 |
| 34 | 5/16" X 2" HEX BOLTS SS (CHAMBER BOLTS BIG) | 04-6032-03 | 4 |
| 35 | 5/16" X 1" HEX BOLTS SS (SUC/DIS) | 04-6027-03 | 8 |
| 36 | ¼" X 3" ALLEN BOLTS MS (PISTON BLOCK) | 04-6003-61 | 4 |
| 37 | 5/16 MS HEX NUT | 04-6305-61 | 16 |
| 38 | 5/16 X 20 X 2 MM SS WASHER | 04-6216-03 | 40 |
| 39 | 3/8 X 1 ¼" BSW HEX BOLT (LOCK NUT) | 04-6016-03 | 2 |
| 40 | 3/8" WAHSER (LOCK NUT) | 04-6206-03 | 2 |



AIR OPERATED DOUBLE DIAPHRAGM PUMPS



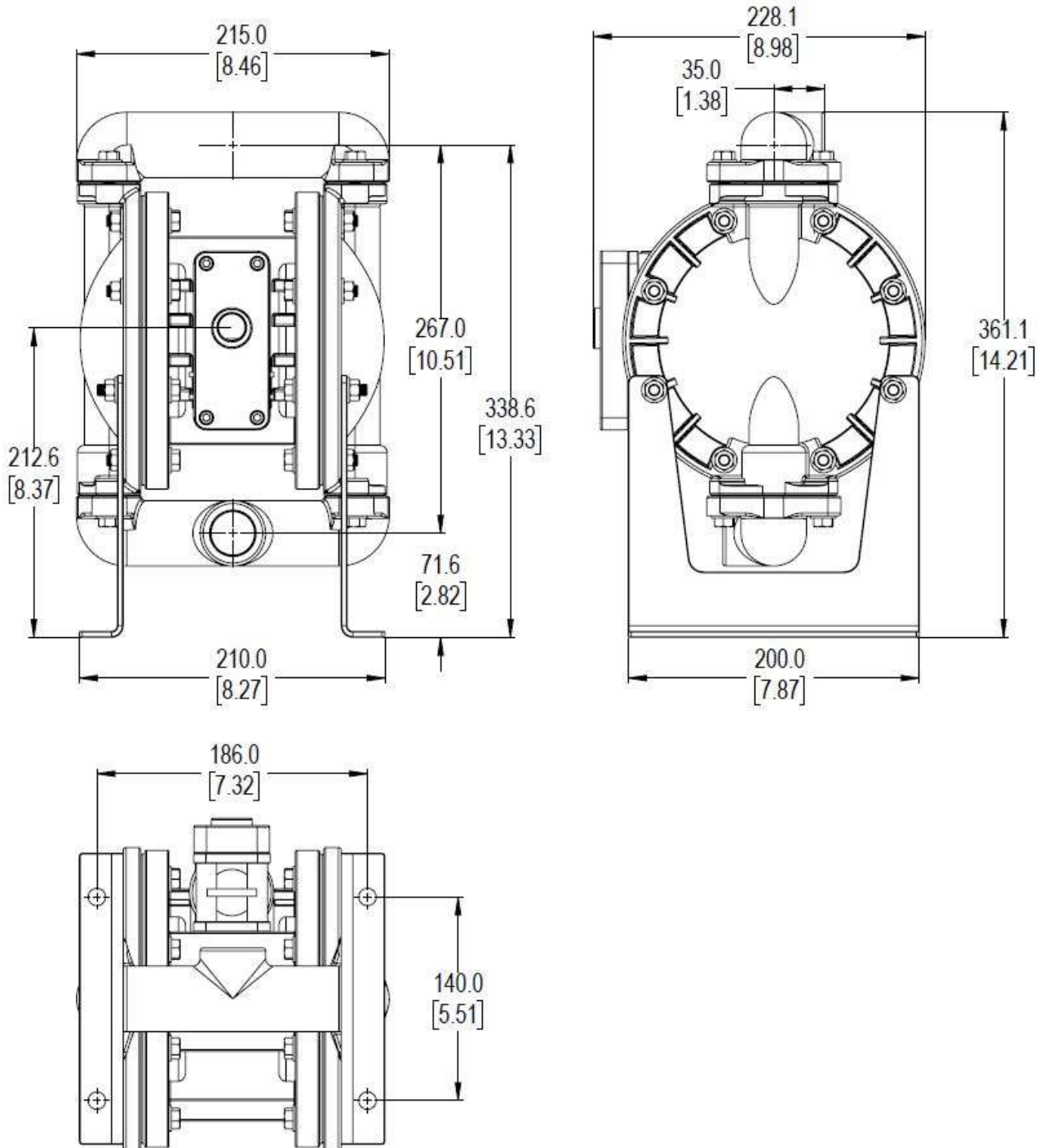
ISO 9001: 2008
ISO 14001: 2004

pricepumps.co.in

SECTION 4 – DIMENSIONAL DRAWING

1" ALUMINIUM PUMP

AOD 300/ASGP/HYT/NE/A/N





AIR OPERATED DOUBLE DIAPHRAGM PUMPS



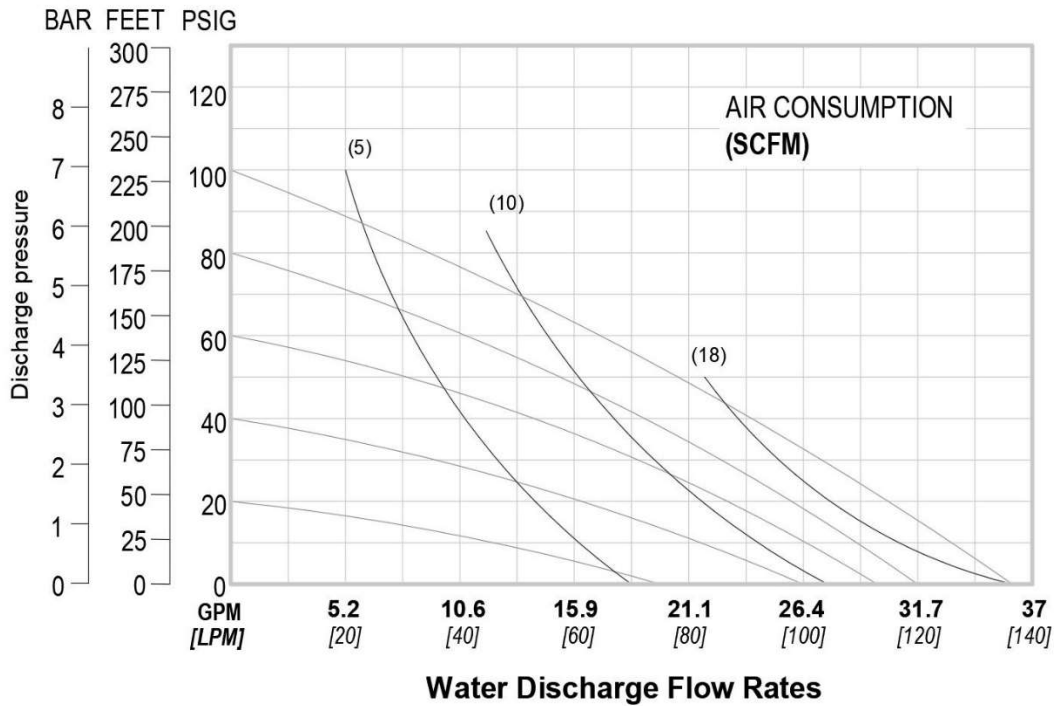
ISO 9001: 2008
ISO 14001: 2004

pricepumps.co.in

SECTION 5 – SPECIFICATION & PERFORMANCE

1" ALUMINIUM PUMP

AOD 300/ASGP/HYT/NE/A/N



SPECIFICATIONS:

MAX FLOW RATE: 135 Lpm (36 gpm)
 MAX AIR PRESSURE: 7 Kgs
 AIR INLET: 6 mm (1/4" BSP)
 PORT INLET: 25 mm (1" BSP)
 DISCHARGE: 25 mm (1" BSP)
 SUCTION LIFT : DRY : 3.05 m (10')
 WET : 4.89 m (16')
 MAX PARTICLE SIZE: (Dia) 3.17 mm (1/8")
 AIR EXHAUST: (1/2" BSP)

SHIPPING DIMENSIONS:

HEIGHT: 440 mm (17.3")
 WIDTH: 280 mm (11.0")
 LENGTH: 280 mm (11.0")
 WEIGHT: 10.6 Kgs

Price Pumps meet ISO 9001-2015, ISO 14001 & CE quality standards.



**AIR OPERATED
DOUBLE
DIAPHRAGM
PUMPS**



ISO 9001: 2008
ISO 14001: 2004

pricepumps.co.in

NOTES: