

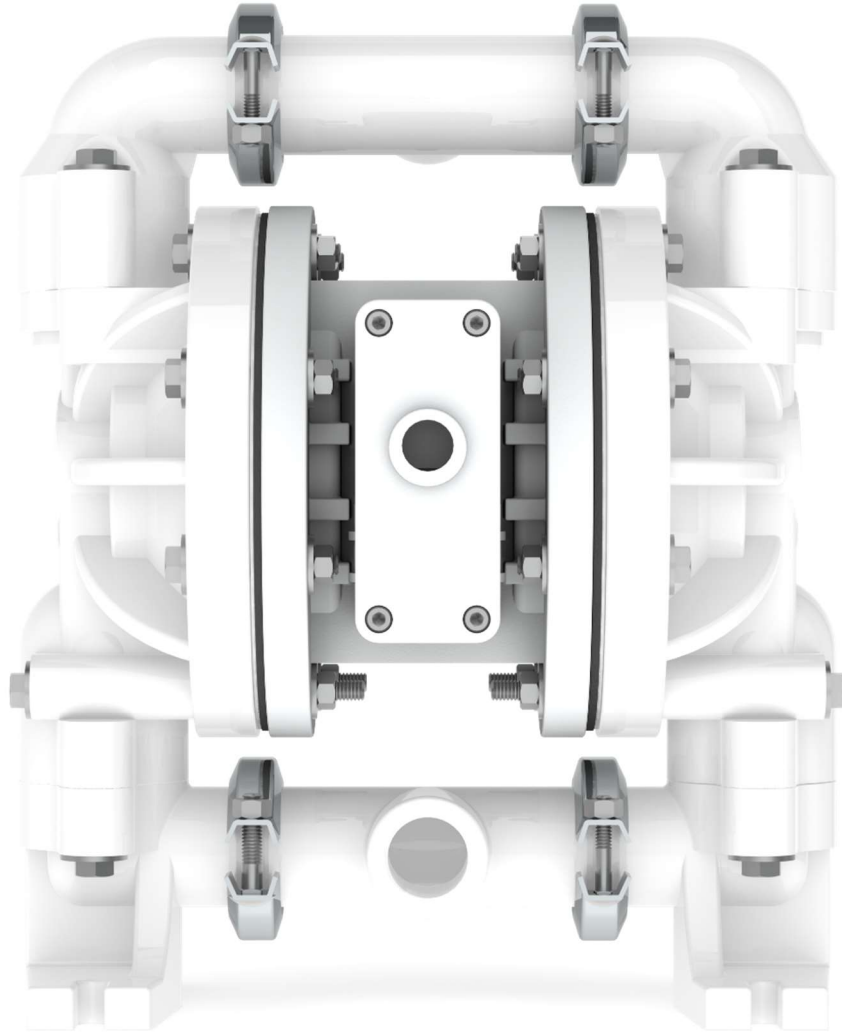


**AIR OPERATED
DOUBLE
DIAPHRAGM
PUMPS**



ISO 9001: 2008
ISO 14001: 2004

pricepumps.co.in



**1" PVDF PUMP
AOD 300 PF KKG/TEF/TF/K/V**

pricepumps.co.in



AIR OPERATED DOUBLE DIAPHRAGM PUMPS



ISO 9001: 2008
ISO 14001: 2004

pricepumps.co.in

SECTION 1- LEGEND

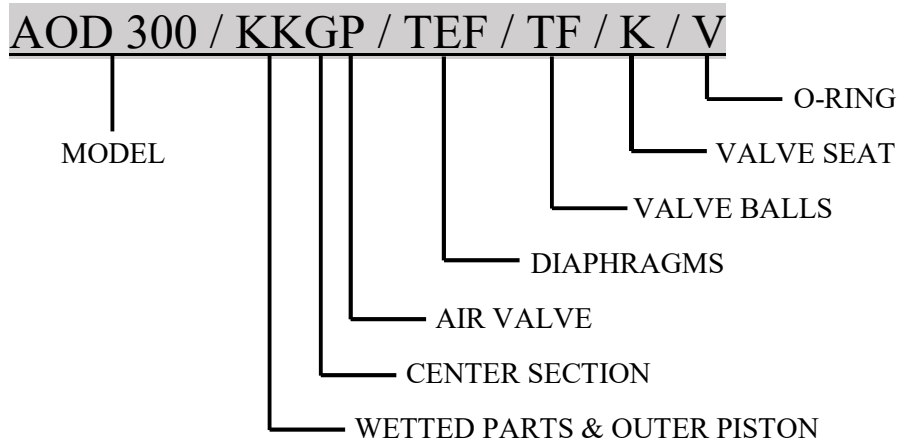
1" PVDF PUMP

AOD 300/KKGP/TEF/TF/K/V

MODEL: AOD 300 PF POLYVINYLDINEFLOURIDE

25mm (1") Pump

Maximum Flow Rate: 135 Lpm (36 gpm)



MATERIAL CODES

MODEL
AOD 300 = 1" PUMP

AIR VALVE
P = POLYPROPYLENE

VALVE BALL
TF = TEFLON

WETTED PARTS & OUTER PISTON
KK = PVDF / PVDF

DIAPHRAGMS
TEF = TEFLON

VALVE SEAT
K = PVDF

CENTER SECTION
G = GLASS FILLED
POLYPROPYLENE

VALVE SEAT O-RING
V = VITON



AIR OPERATED DOUBLE DIAPHRAGM PUMPS



ISO 9001: 2008
ISO 14001: 2004

pricepumps.co.in

SECTION 2 – SPARE PART LIST

1” PVDF PUMP

AOD 300/KKGP/TEF/TF/K/V

SR No.	DISCRIPTION	PART No	QTY
1	LIQUID CHAMBER	30-1001-21	2
2	SUCTION BEND	30-2147-21	2
3	DISCHARGE BEND	30-2156-21	2
4	SUCTION DISCHARGE TEE	30-1204-21	2
5	TEE O RING	30-3146-53	4
6	BEND O RING	30-3101-53	4
7	SEAT O RING	15-3121-53	4
8	NRV BALL	30-1041-55	4
9	BALL SEAT	30-1065-21	4
10	BALL CAGE	30-1096-21	4
11	TEE CLAMP	30-1211-03	8
12	HOLDING PLATE	30-1111-03	2
13	LOCK NUT	30-1131-21	2
14	DIAPHRAGM	30-2001-55	2
15	BACK UP DIAPHRAGM	30-2102-65	2
16	CENTER BLOCK	30-1301-23	1
17	REDUCER	15-1376-21	1
18	CENTER BLOCK O RING	30-3155-56	2
19	MAIN SHAFT	30-1341-03	1
20	PILOT SHAFT	30-1451-03	1
21	PILOT BUSH	30-1471-07	1
22	PILOT SHAFT O RING	15-3176-56	4
23	PILOT BUSH O RING	15-3161-51	4
24	PILOT SHAFT LOCK O RING	40-3181-51	2
25	PILOT BUSH CIRCLIP	15-1496-61	2
26	PISTON BLOCK	15-1501-20	1



AIR OPERATED DOUBLE DIAPHRAGM PUMPS



ISO 9001: 2008
ISO 14001: 2004

pricepumps.co.in

SECTION 2 – SPARE PART LIST (CONTINUED...)

1” PVDF PUMP

AOD 300/KKGP/TEF/TF/K/V

SR No.	DISCRIPTION	PART No	QTY
27	PISTON	15-1521-69	1
28	PISTON O RING BIG	15-3201-51	1
29	PISTON O RING SMALL	15-3221-51	5
30	PISTON RING BIG	15-3241-68	1
31	PISTON RING SMALL	15-3246-68	5
32	PISTON BLOCK CAP PP	15-1571-20	1
33	PISTON BLOCK CAP O RING	15-3266-51	1
34	PISTON BLOCK COVER	15-1561-20	1
35	PISTON BLOCK GASKET	15-3321-51	1
36	PISTON BLOCK COVER GASKET	15-3331-51	1
37	EXHAUST	15-1366-23	1
38	AIR NIPPLE	15-1371-07	1
39	HOSE NIPPLE	N/A	-
40	FLANGE	30-1384-21	2
41	STUB END	30-1387-21	2
42	5/16" X 5" HEX BOLTS SS (CHAMBER BOLTS BIG)	04-6036-03	4
43	5/16" X 2¼" HEX BOLTS SS (CHAMBER BOLTS SMALL)	04-6033-03	12
44	3/8" X 1½" HEX BOLTS SS (SUCTION)	04-6017-03	4
45	3/8" X 60 MM HEX BOLTS SS (DISCHARGE)	04-6022-03	4
46	¼" X 3" ALLEN BOLTS MS (PISTON BLOCK)	04-6003-61	4
47	¼" X 42 MM CARRIAGE BOLTS SS (TEE CLAMP)	04-6034-03	8
48	5/16 MS HEX NUT	04-6305-61	16
49	5/16 X 20 X 2 MM SS WASHER	04-6216-03	32
50	3/8 X 25 X 3 MM MS WASHER (SUC/DIS)	04-6212-61	8
51	¼ SS HEX NUT	04-6302-03	8



AIR OPERATED DOUBLE DIAPHRAGM PUMPS



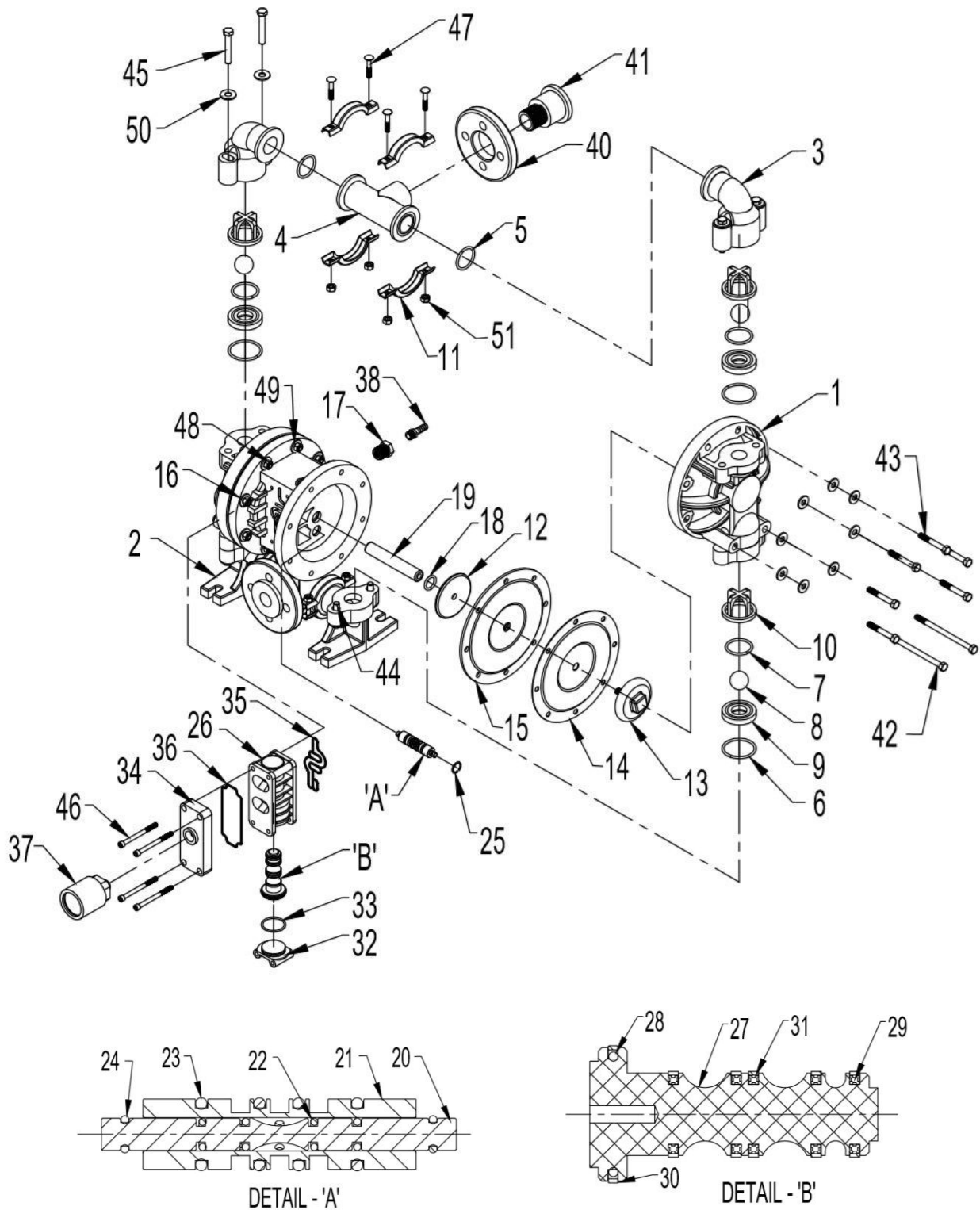
ISO 9001: 2008
ISO 14001: 2004

pricepumps.co.in

SECTION 3 – EXPLODED VIEW

1" PVDF PUMP

AOD 300/KKGP/TEF/TF/K/V





AIR OPERATED DOUBLE DIAPHRAGM PUMPS



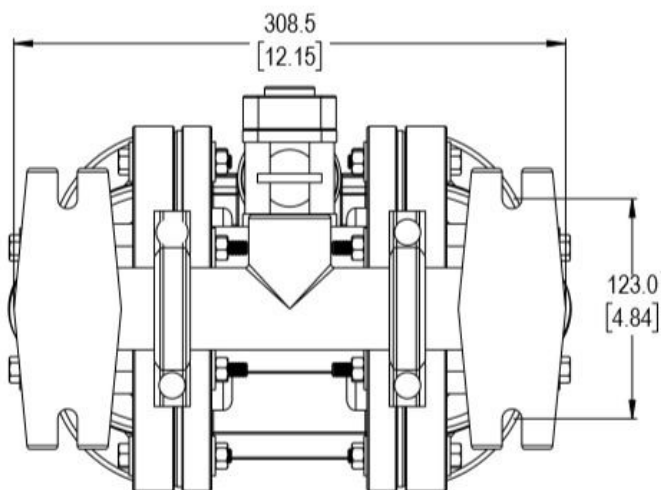
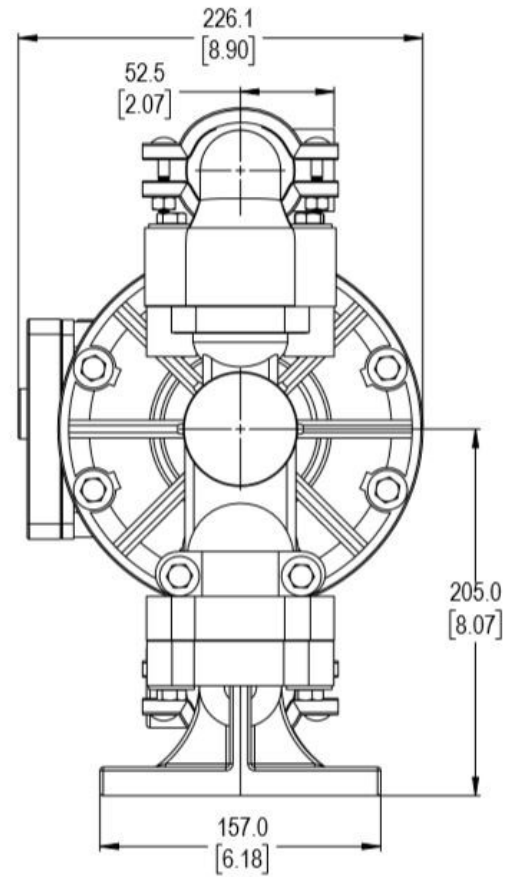
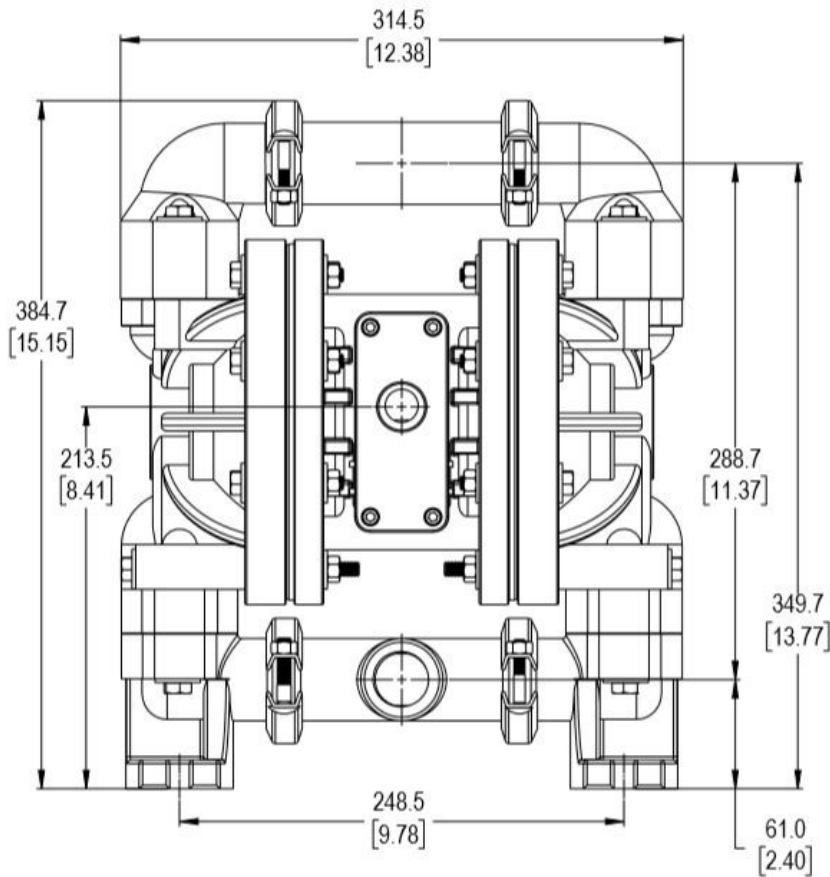
ISO 9001: 2008
ISO 14001: 2004

pricepumps.co.in

SECTION 4 – DIMENSIONAL DRAWING

1" PVDF PUMP

AOD 300/KKGP/TEF/TF/K/V





AIR OPERATED DOUBLE DIAPHRAGM PUMPS



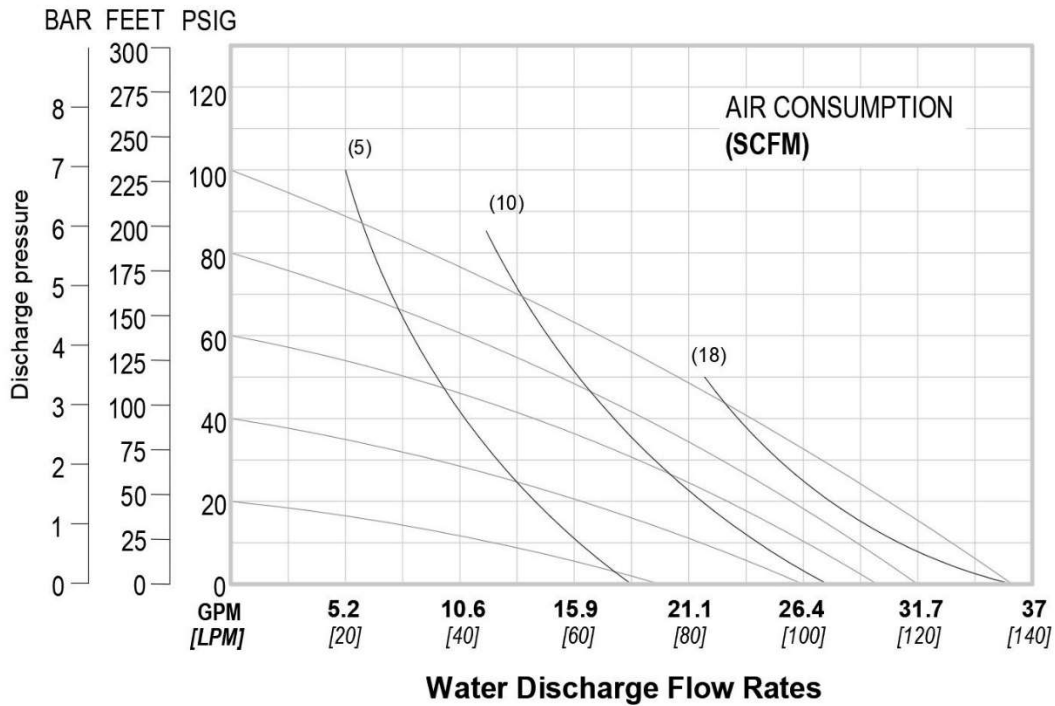
ISO 9001: 2008
ISO 14001: 2004

pricepumps.co.in

SECTION 5 – SPECIFICATION & PERFORMANCE

1" PVDF PUMP

AOD 300/KKGP/TEF/TF/K/V



SPECIFICATIONS:

MAX FLOW RATE:	135 Lpm (36 gpm)
MAX AIR PRESSURE:	120 psi (8.3 bar)
AIR INLET:	6 mm (1/4" BSP)
PORT INLET:	25 mm (1" BSP)
DISCHARGE:	25 mm (1" BSP)
SUCTION LIFT : DRY :	5.5 m (18.2')
WET :	8.6 m (28.4')
MAX PARTICLE SIZE:	(Dia) 3.17 mm (1/8")
AIR EXHAUST:	13 mm (1/2" BSP)

SHIPPING DIMENSIONS:

HEIGHT:	440 mm (17.3")
WIDTH:	310 mm (12.2")
LENGTH:	370 mm (14.6")
WEIGHT:	16 Kgs

Price Pumps meet ISO 9001-2015, ISO 14001 & CE quality standards.



**AIR OPERATED
DOUBLE
DIAPHRAGM
PUMPS**



ISO 9001: 2008
ISO 14001: 2004

pricepumps.co.in

NOTES: