

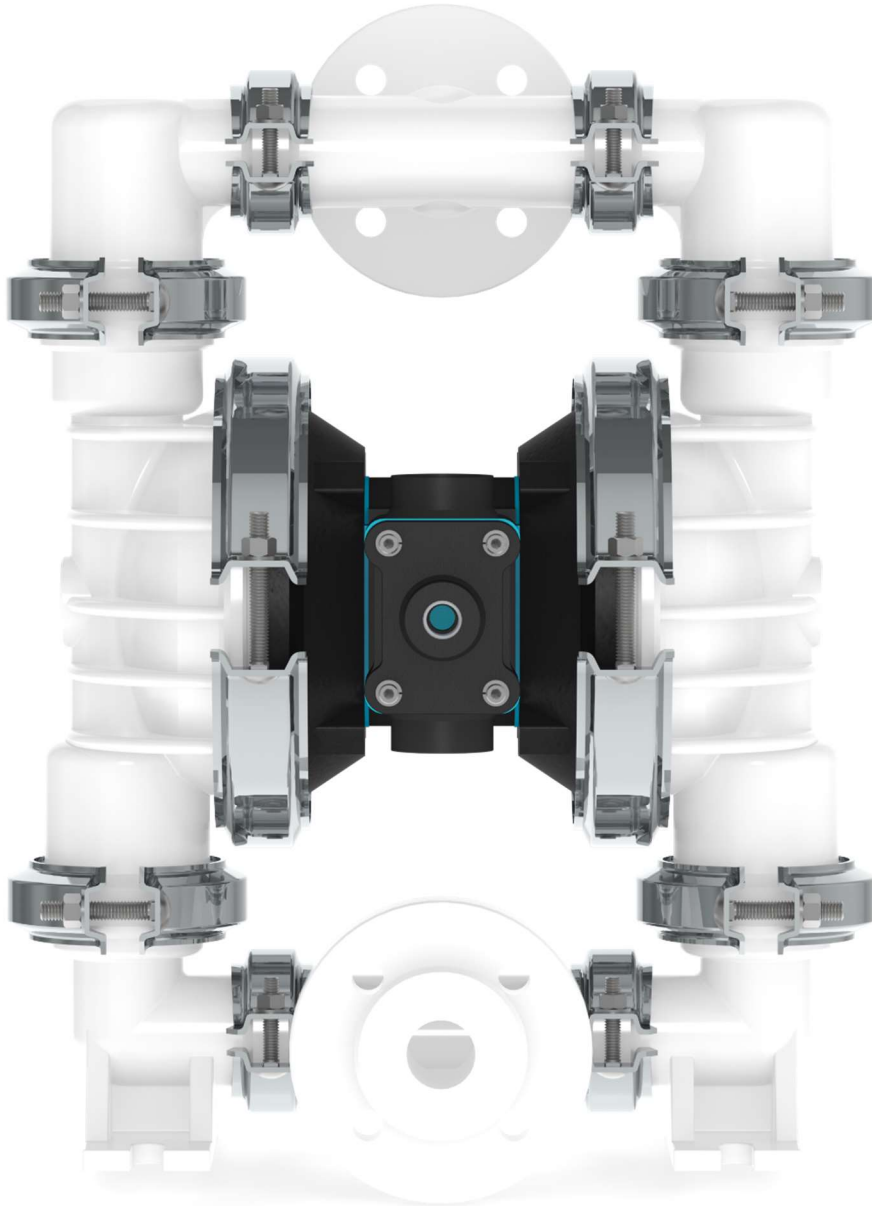


**AIR OPERATED
DOUBLE
DIAPHRAGM
PUMPS**



ISO 9001: 2008
ISO 14001: 2004

pricepumps.co.in



**1½" POLYPROPYLENE PUMP
AOD 40 NSV PPGG/NEO/TF/P/N**

pricepumps.co.in



AIR OPERATED DOUBLE DIAPHRAGM PUMPS



ISO 9001: 2008
ISO 14001: 2004

pricepumps.co.in

SECTION 1- LEGEND

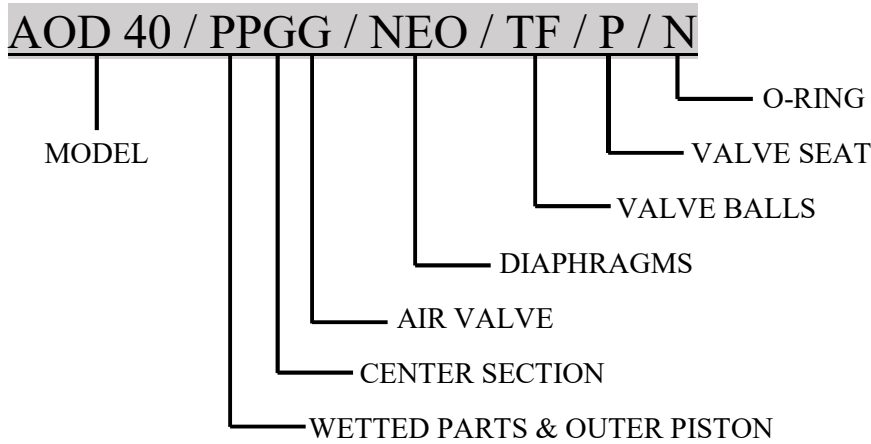
1½” POLYPROPYLENE PUMP

AOD 40/PPGG/NEO/TF/P/N

MODEL: AOD 40 NSV POLYPROPYLENE

38 mm (1½”) Pump

Maximum Flow Rate: 379 Lpm (100 gpm)



MATERIAL CODES

MODEL
AOD 40 = 1½” PUMP

AIR VALVE
G = GLASS FILLED
POLYPROPYLENE

VALVE BALL
TF = TEFLON

WETTED PARTS & OUTER PISTON
PP = POLYPROPYLENE/
POLYPROPYLENE

DIAPHRAGMS
NEO = NEOPRENE

VALVE SEAT
P = POLYPROPYLENE

CENTER SECTION
G = GLASS FILLED
POLYPROPYLENE

VALVE SEAT O-RING
N = NEOPRENE



AIR OPERATED DOUBLE DIAPHRAGM PUMPS



ISO 9001: 2008
ISO 14001: 2004

pricepumps.co.in

SECTION 2 – SPARE PART LIST

1½” POLYPROPYLENE PUMP

AOD 40/PPGG/NEO/TF/P/N

| SR No. | DISCRIPTION | PART No | QTY |
|--------|-------------------------|------------|-----|
| 1 | LIQUID CHAMBER | 40-1003-20 | 2 |
| 2 | SUCTION BEND | 40-2142-20 | 2 |
| 3 | DISCHARGE BEND | 40-2152-20 | 2 |
| 4 | SUCTION DISCHARGE TEE | 40-1201-20 | 2 |
| 5 | TEE O RING | 40-3146-51 | 4 |
| 6 | SEAT O RING | 40-3121-51 | 4 |
| 7 | NRV BALL | 40-1041-55 | 4 |
| 8 | BALL SEAT | 40-1062-20 | 4 |
| 9 | BALL CAGE | 40-1091-20 | 4 |
| 10 | TEE CLAMP | 40-1211-61 | 8 |
| 11 | CHAMBER CLAMP | 40-1231-61 | 4 |
| 12 | SUCTION DISCHARGE CLAMP | 40-1221-61 | 8 |
| 13 | HOLDING PLATE | 40-1112-61 | 2 |
| 14 | LOCK NUT | 40-1131-20 | 2 |
| 15 | DIAPHRAGM | 40-2021-51 | 2 |
| 16 | BACK UP DIAPHRAGM | N/A | - |
| 17 | CENTER BLOCK | 40-1306-23 | 1 |
| 18 | CENTER BLOCK PIPE | 40-1316-03 | 4 |
| 19 | CENTER BLOCK O RING | 40-3155-56 | 4 |
| 20 | MAIN SHAFT | 40-1341-03 | 1 |
| 21 | AIR COVER | 40-1401-23 | 2 |
| 22 | AIR COVER GASKET | 40-3311-60 | 2 |
| 23 | AIR COVER BUFFER | 40-1426-51 | 2 |
| 24 | PILOT SHAFT | 40-1455-03 | 1 |
| 25 | PILOT DRILL BUSH | 40-1493-07 | 5 |
| 26 | PILOT SHAFT O RING | 40-3176-56 | 6 |
| 27 | PILOT PLANE BUSH | 40-1491-07 | 2 |



AIR OPERATED DOUBLE DIAPHRAGM PUMPS



ISO 9001: 2008
ISO 14001: 2004

pricepumps.co.in

SECTION 2 – SPARE PART LIST (CONTINUED...)

1½” POLYPROPYLENE PUMP

AOD 40/PPGG/NEO/TF/P/N

| SR No. | DISCRIPTION | PART No | QTY |
|--------|--|------------|-----|
| 28 | PISTON BLOCK | 30-1506-23 | 1 |
| 29 | PISTON BLOCK BUSH | 40-1541-07 | 1 |
| 30 | PISTON BLOCK CAP/ PISTON BLOCK BUSH O RING | 40-3270-51 | 8 |
| 31 | PISTON | 40-1525-01 | 1 |
| 32 | PISTON O RING | 40-3205-51 | 3 |
| 33 | PISTON RING SILICON | 40-3261-64 | 3 |
| 34 | PISTON BLOCK CAP | 40-1575-63 | 2 |
| 35 | PISTON BLOCK CAP CIRCLIP | 40-1581-61 | 2 |
| 36 | PISTON BLOCK COVER | 40-1564-23 | 1 |
| 37 | PISTON BLOCK GASKET | 40-3324-60 | 1 |
| 38 | PISTON BLOCK COVER GASKET | 40-3334-60 | 1 |
| 39 | EXHAUST | 40-1366-23 | 1 |
| 40 | AIR NIPPLE | 40-1371-07 | 1 |
| 41 | STUB END | 40-1387-20 | 2 |
| 42 | FLANGE | 40-1384-20 | 2 |
| 43 | 3/8" X 80 MM CARRIAGE BOLTS SS (CHAMBER BOLTS) | 04-6023-03 | 4 |
| 44 | 3/8" X 60 MM CARRIAGE BOLTS SS (SUC/DIS) | 04-6022-03 | 8 |
| 45 | 5/16" X 45 MM CARRIAGE BOLTS SS (TEE) | 04-6035-03 | 8 |
| 46 | 5/16" X 1" CSK BOLTS SS (AIR COVER) | 04-6027-03 | 10 |
| 47 | 5/16 X 17 X 1.5 MM SS WASHER | 04-6215-03 | 8 |
| 48 | 3/8 X 20.7 X 1.5 MM SS WASHER (CHAMBER) | 04-6210-03 | 12 |
| 49 | ¼" X 3½" ALLEN BOLTS MS (P B) | 04-6004-61 | 4 |
| 50 | ¼ X 12.5 X 1.2 MM SS WASHER (P B ALLEN BOLT) | 04-6202-03 | 4 |
| 51 | 3/8 MS HEX NUT | 04-6304-61 | 16 |
| 52 | 5/16 MS HEX NUT | 04-6305-61 | 8 |



AIR OPERATED DOUBLE DIAPHRAGM PUMPS



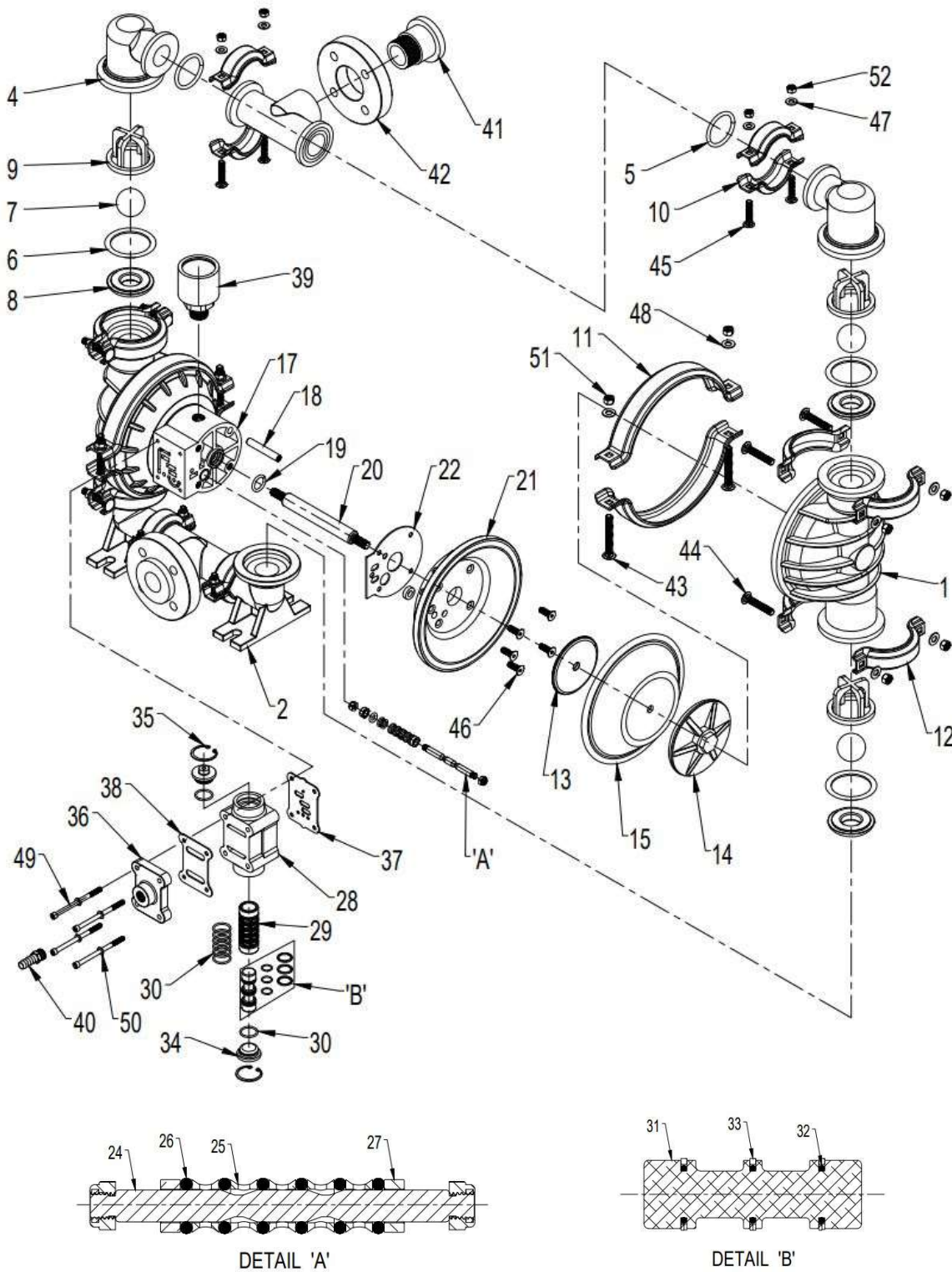
ISO 9001: 2008
ISO 14001: 2004

pricepumps.co.in

SECTION 3 – EXPLODED VIEW

1½" POLYPROPYLENE PUMP

AOD 40/PPGG/NEO/TF/P/N





AIR OPERATED DOUBLE DIAPHRAGM PUMPS



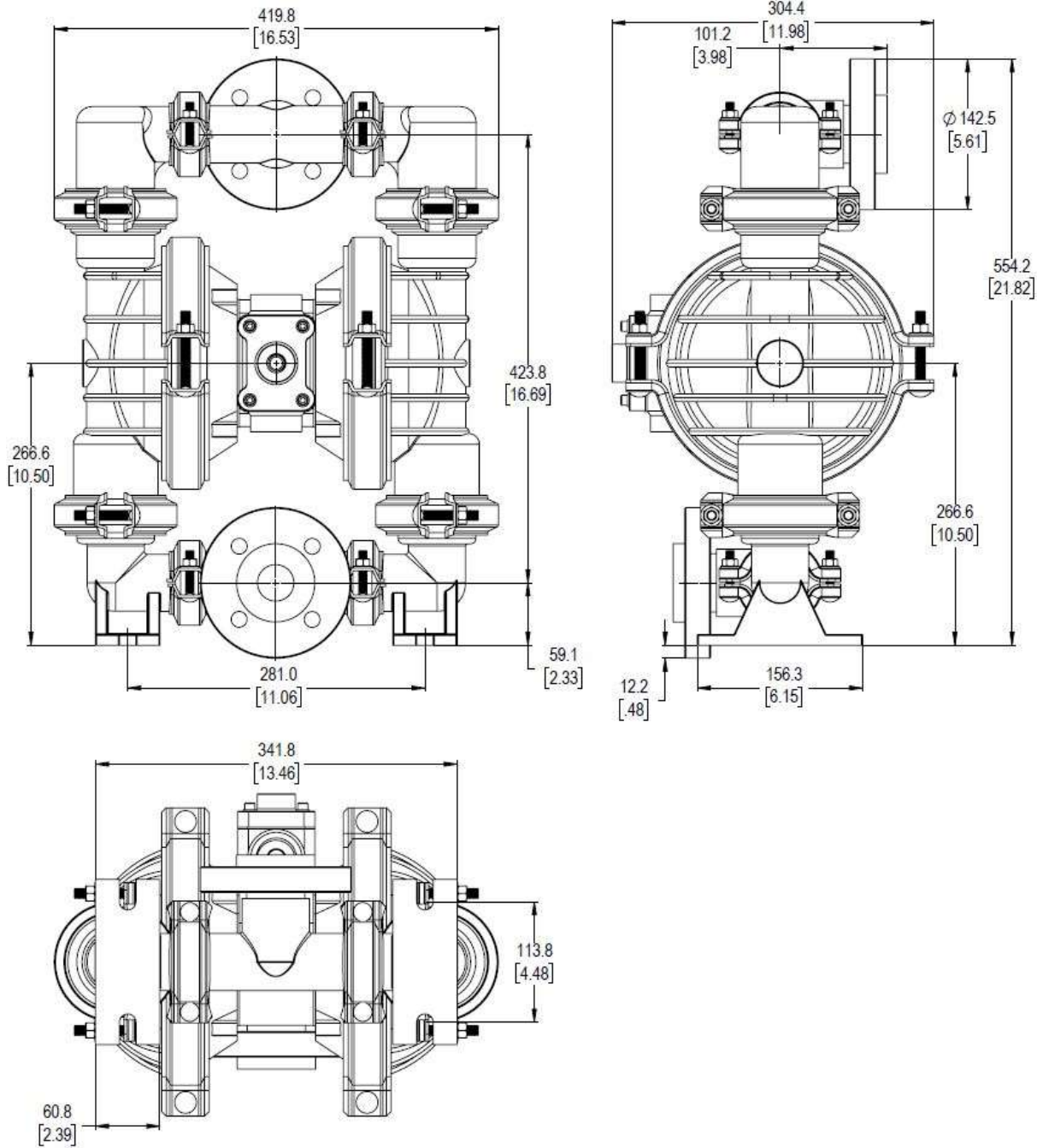
ISO 9001: 2008
ISO 14001: 2004

pricepumps.co.in

SECTION 4 – DIMENSIONAL DRAWING

1½" POLYPROPYLENE PUMP

AOD 40/PPGG/NEO/TF/P/N





AIR OPERATED DOUBLE DIAPHRAGM PUMPS



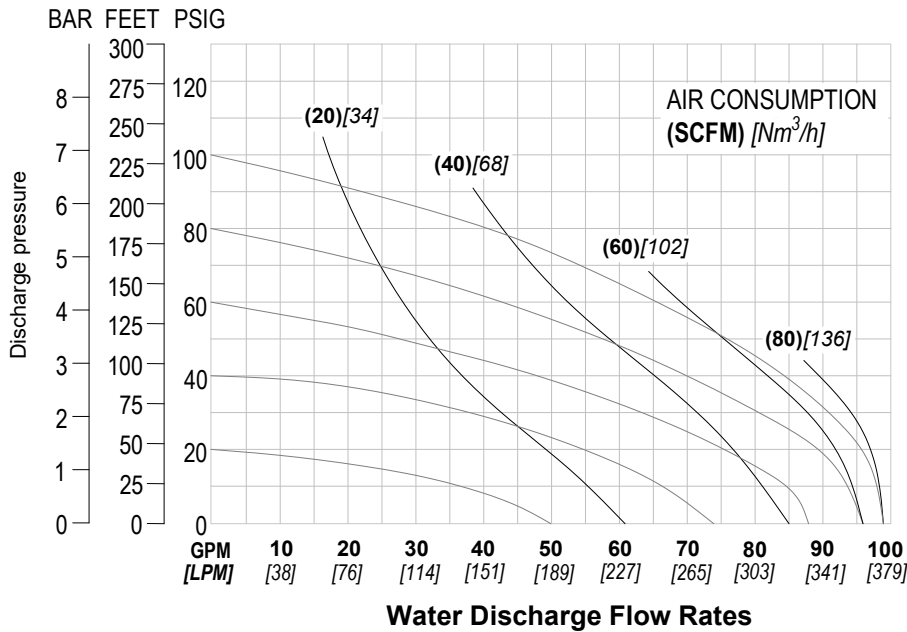
ISO 9001: 2008
ISO 14001: 2004

pricepumps.co.in

SECTION 5 – SPECIFICATION & PERFORMANCE

1½” POLYPROPYLENE PUMP

AOD 40/PPGG/NEO/TF/P/N



SPECIFICATIONS:

MAX FLOW RATE: 379 Lpm (100 gpm)
 MAX AIR PRESSURE: 7 Kgs
 AIR INLET: 9.5 mm (3/8" BSP)
 PORT INLET: 38 mm (1-1/2" BSP)
 DISCHARGE: 38 mm (1-1/2" BSP)
 SUCTION LIFT: DRY: 5.9 m (19.5')
 WET: 8.3 m (27.2')
 MAX PARTICLE SIZE: (Dia) 4.8 mm (3/16")
 AIR EXHAUST: (1/2" BSP)

SHIPPING DIMENSIONS:

HEIGHT: 450 mm (17.72")
 WIDTH: 400 mm (15.75")
 LENGTH: 580 mm (22.83")
 WEIGHT: 21.5 Kgs

Price Pumps meet ISO 9001-2015, ISO 14001 & CE quality standards.



**AIR OPERATED
DOUBLE
DIAPHRAGM
PUMPS**



ISO 9001: 2008
ISO 14001: 2004

pricepumps.co.in

NOTES: