

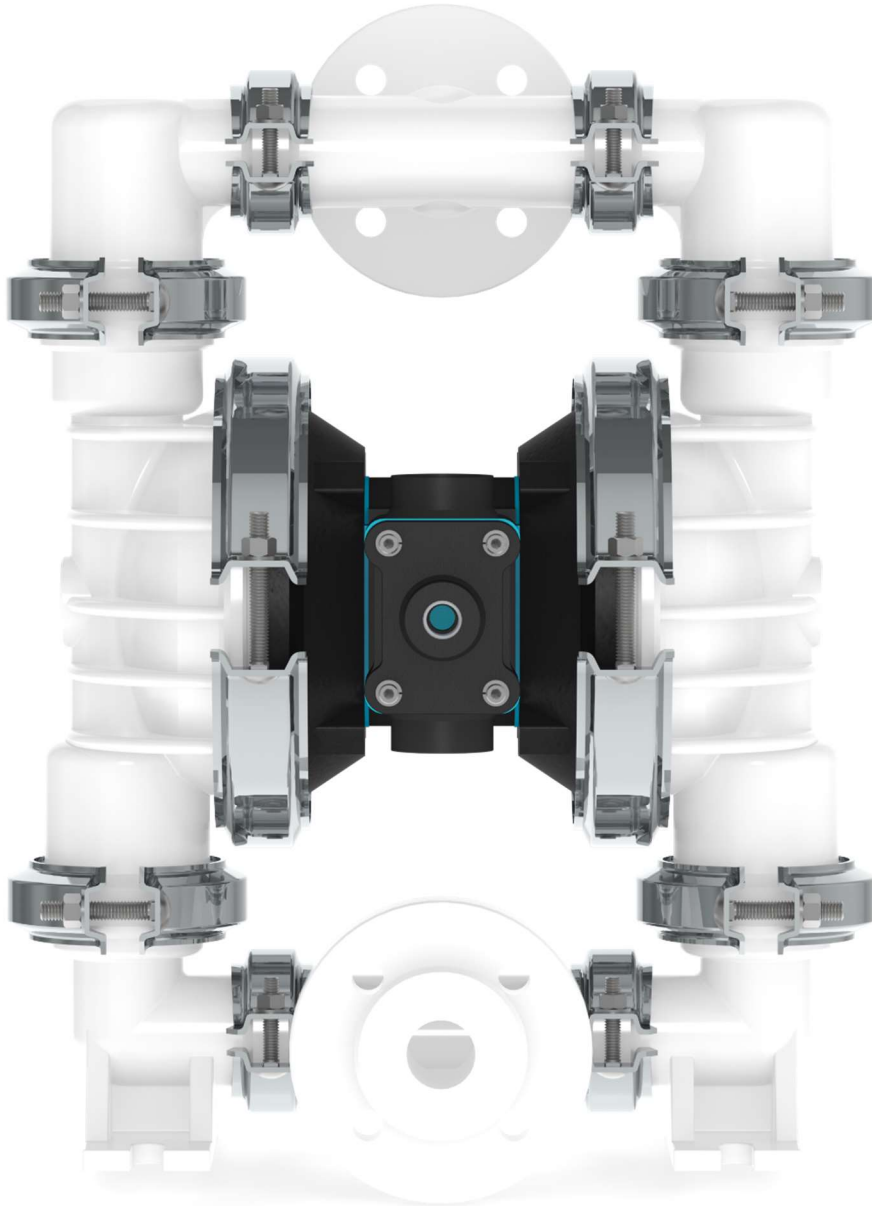


**AIR OPERATED
DOUBLE
DIAPHRAGM
PUMPS**



ISO 9001: 2008
ISO 14001: 2004

pricepumps.co.in



**1½" POLYPROPYLENE PUMP
AOD 40 NSV PPGG/SAN/NE/P/N**

pricepumps.co.in



AIR OPERATED DOUBLE DIAPHRAGM PUMPS



ISO 9001: 2008
ISO 14001: 2004

pricepumps.co.in

SECTION 1- LEGEND

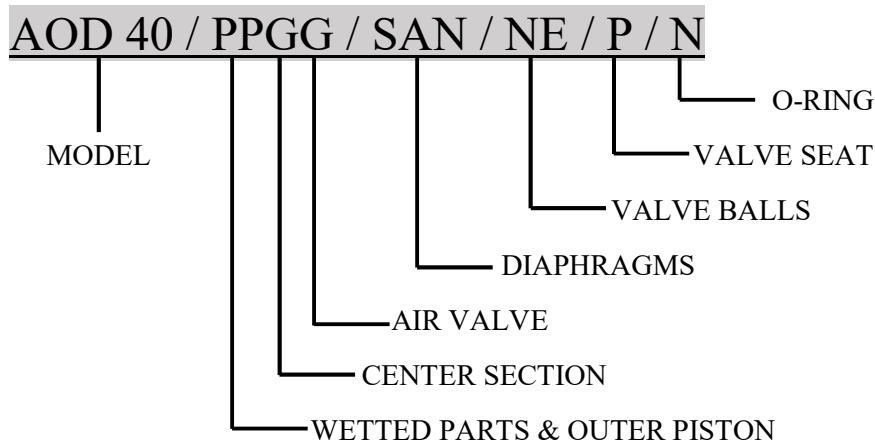
1½” POLYPROPYLENE PUMP

AOD 40/PPGG/SAN/NE/P/N

MODEL: AOD 40 NSV POLYPROPYLENE

38 mm (1½”) Pump

Maximum Flow Rate: 379 Lpm (100 gpm)



MATERIAL CODES

MODEL
AOD 40 = 1½” PUMP

AIR VALVE
G = GLASS FILLED
POLYPROPYLENE

VALVE BALL
NE = NEOPRENE

WETTED PARTS & OUTER PISTON
PP = POLYPROPYLENE/
POLYPROPYLENE

DIAPHRAGMS
SAN = SANTOPRENE

VALVE SEAT
P = POLYPROPYLENE

CENTER SECTION
G = GLASS FILLED
POLYPROPYLENE

VALVE SEAT O-RING
N = NEOPRENE



AIR OPERATED DOUBLE DIAPHRAGM PUMPS



ISO 9001: 2008
ISO 14001: 2004

pricepumps.co.in

SECTION 2 – SPARE PART LIST

1½” POLYPROPYLENE PUMP

AOD 40/PPGG/SAN/NE/P/N

SR No.	DISCRIPTION	PART No	QTY
1	LIQUID CHAMBER	40-1003-20	2
2	SUCTION BEND	40-2142-20	2
3	DISCHARGE BEND	40-2152-20	2
4	SUCTION DISCHARGE TEE	40-1201-20	2
5	TEE O RING	40-3146-51	4
6	SEAT O RING	40-3121-51	4
7	NRV BALL	40-1041-51	4
8	BALL SEAT	40-1062-20	4
9	BALL CAGE	40-1091-20	4
10	TEE CLAMP	40-1211-61	8
11	CHAMBER CLAMP	40-1231-61	4
12	SUCTION DISCHARGE CLAMP	40-1221-61	8
13	HOLDING PLATE	40-1112-61	2
14	LOCK NUT	40-1131-20	2
15	DIAPHRAGM	40-2041-58	2
16	BACK UP DIAPHRAGM	N/A	-
17	CENTER BLOCK	40-1306-23	1
18	CENTER BLOCK PIPE	40-1316-03	4
19	CENTER BLOCK O RING	40-3155-56	4
20	MAIN SHAFT	40-1341-03	1
21	AIR COVER	40-1401-23	2
22	AIR COVER GASKET	40-3311-60	2
23	AIR COVER BUFFER	40-1426-51	2
24	PILOT SHAFT	40-1455-03	1
25	PILOT DRILL BUSH	40-1493-07	5
26	PILOT SHAFT O RING	40-3176-56	6
27	PILOT PLANE BUSH	40-1491-07	2



AIR OPERATED DOUBLE DIAPHRAGM PUMPS



ISO 9001: 2008
ISO 14001: 2004

pricepumps.co.in

SECTION 2 – SPARE PART LIST (CONTINUED...)

1½” POLYPROPYLENE PUMP

AOD 40/PPGG/SAN/NE/P/N

SR No.	DISCRIPTION	PART No	QTY
28	PISTON BLOCK	30-1506-23	1
29	PISTON BLOCK BUSH	40-1541-07	1
30	PISTON BLOCK CAP/ PISTON BLOCK BUSH O RING	40-3270-51	8
31	PISTON	40-1525-01	1
32	PISTON O RING	40-3205-51	3
33	PISTON RING SILICON	40-3261-64	3
34	PISTON BLOCK CAP	40-1575-63	2
35	PISTON BLOCK CAP CIRCLIP	40-1581-61	2
36	PISTON BLOCK COVER	40-1564-23	1
37	PISTON BLOCK GASKET	40-3324-60	1
38	PISTON BLOCK COVER GASKET	40-3334-60	1
39	EXHAUST	40-1366-23	1
40	AIR NIPPLE	40-1371-07	1
41	STUB END	40-1387-20	2
42	FLANGE	40-1384-20	2
43	3/8" X 80 MM CARRIAGE BOLTS SS (CHAMBER BOLTS)	04-6023-03	4
44	3/8" X 60 MM CARRIAGE BOLTS SS (SUC/DIS)	04-6022-03	8
45	5/16" X 45 MM CARRIAGE BOLTS SS (TEE)	04-6035-03	8
46	5/16" X 1" CSK BOLTS SS (AIR COVER)	04-6027-03	10
47	5/16 X 17 X 1.5 MM SS WASHER	04-6215-03	8
48	3/8 X 20.7 X 1.5 MM SS WASHER (CHAMBER)	04-6210-03	12
49	¼" X 3½" ALLEN BOLTS MS (P B)	04-6004-61	4
50	¼ X 12.5 X 1.2 MM SS WASHER (P B ALLEN BOLT)	04-6202-03	4
51	3/8 MS HEX NUT	04-6304-61	16
52	5/16 MS HEX NUT	04-6305-61	8



AIR OPERATED DOUBLE DIAPHRAGM PUMPS



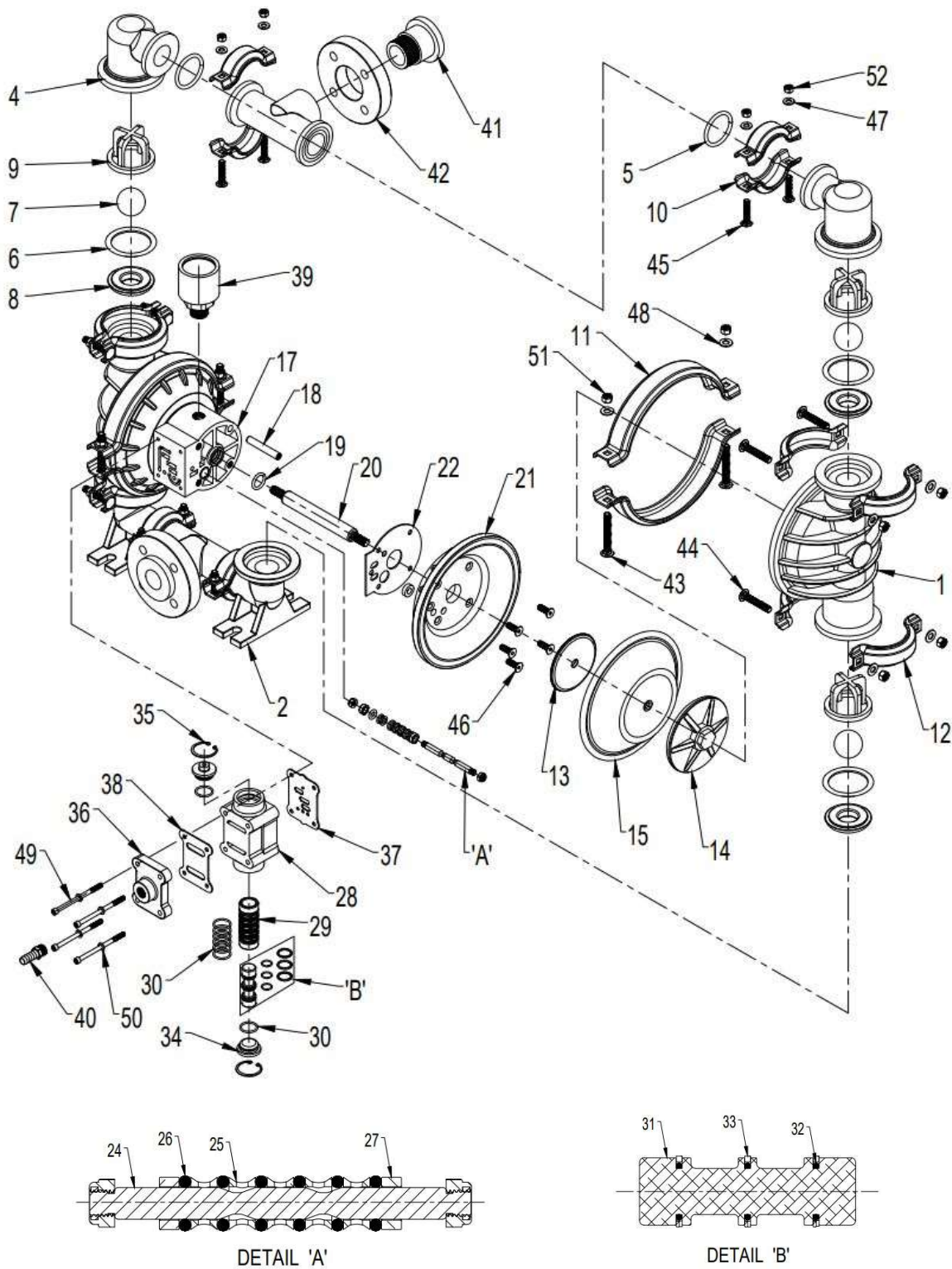
ISO 9001: 2008
ISO 14001: 2004

pricepumps.co.in

SECTION 3 – EXPLODED VIEW

1½” POLYPROPYLENE PUMP

AOD 40/PPGG/SAN/NE/P/N





AIR OPERATED DOUBLE DIAPHRAGM PUMPS



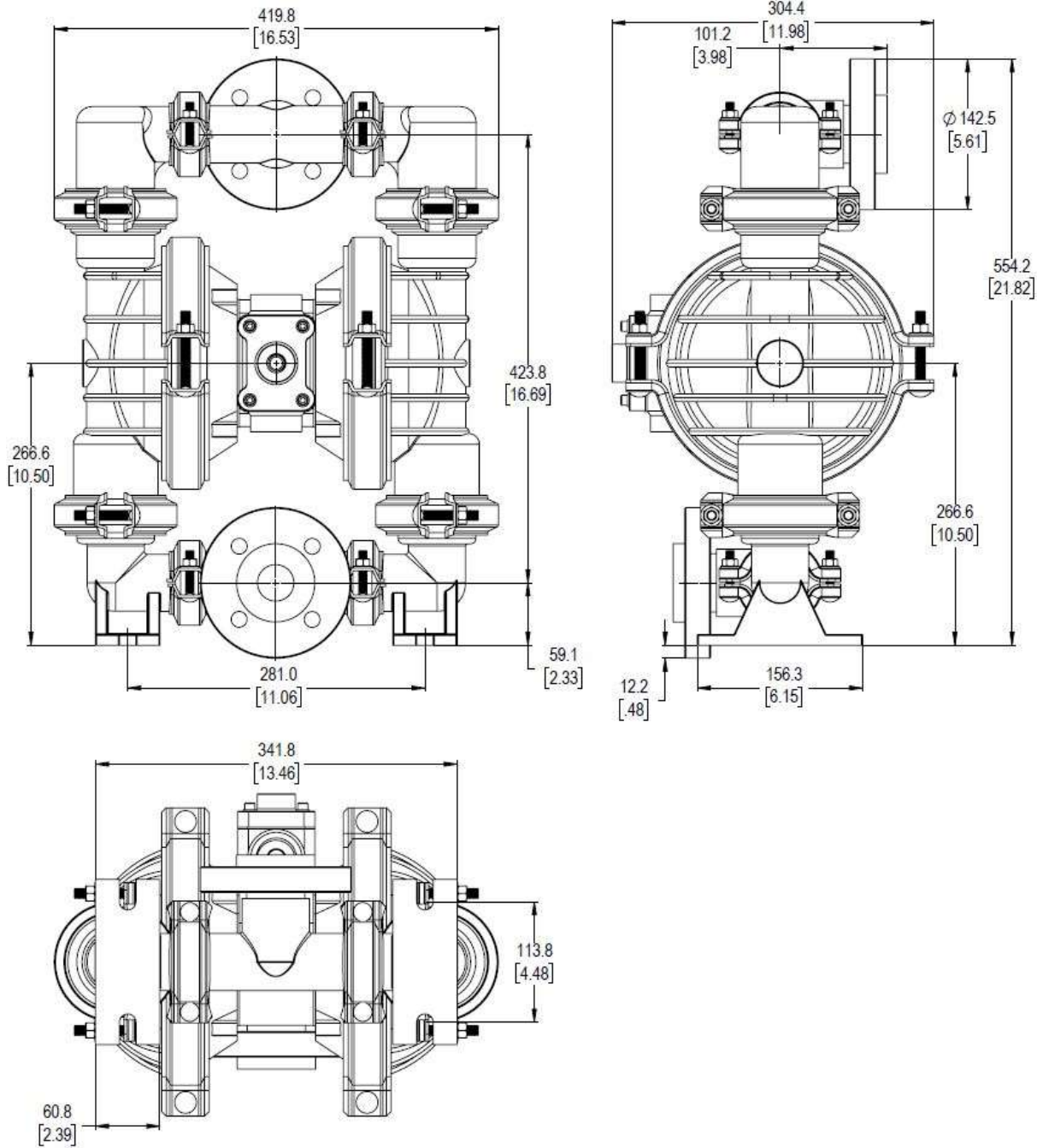
ISO 9001: 2008
ISO 14001: 2004

pricepumps.co.in

SECTION 4 – DIMENSIONAL DRAWING

1½” POLYPROPYLENE PUMP

AOD 40/PPGG/SAN/NE/P/N





AIR OPERATED DOUBLE DIAPHRAGM PUMPS



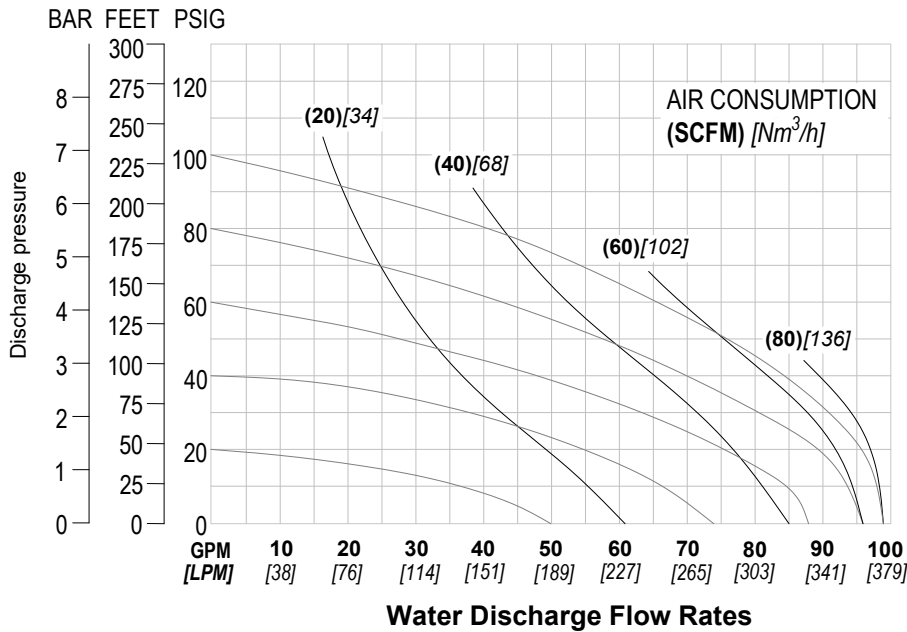
ISO 9001: 2008
ISO 14001: 2004

pricepumps.co.in

SECTION 5 – SPECIFICATION & PERFORMANCE

1½” POLYPROPYLENE PUMP

AOD 40/PPGG/SAN/NE/P/N



SPECIFICATIONS:

MAX FLOW RATE: 379 Lpm (100 gpm)
 MAX AIR PRESSURE: 7 Kgs
 AIR INLET: 9.5 mm (3/8" BSP)
 PORT INLET: 38 mm (1-1/2" BSP)
 DISCHARGE: 38 mm (1-1/2" BSP)
 SUCTION LIFT: DRY: 5.9 m (19.5')
 WET: 8.3 m (27.2')
 MAX PARTICLE SIZE: (Dia) 4.8 mm (3/16")
 AIR EXHAUST: (1/2" BSP)

SHIPPING DIMENSIONS:

HEIGHT: 450 mm (17.72")
 WIDTH: 400 mm (15.75")
 LENGTH: 580 mm (22.83")
 WEIGHT: 21.5 Kgs

Price Pumps meet ISO 9001-2015, ISO 14001 & CE quality standards.



**AIR OPERATED
DOUBLE
DIAPHRAGM
PUMPS**



ISO 9001: 2008
ISO 14001: 2004

pricepumps.co.in

NOTES: