

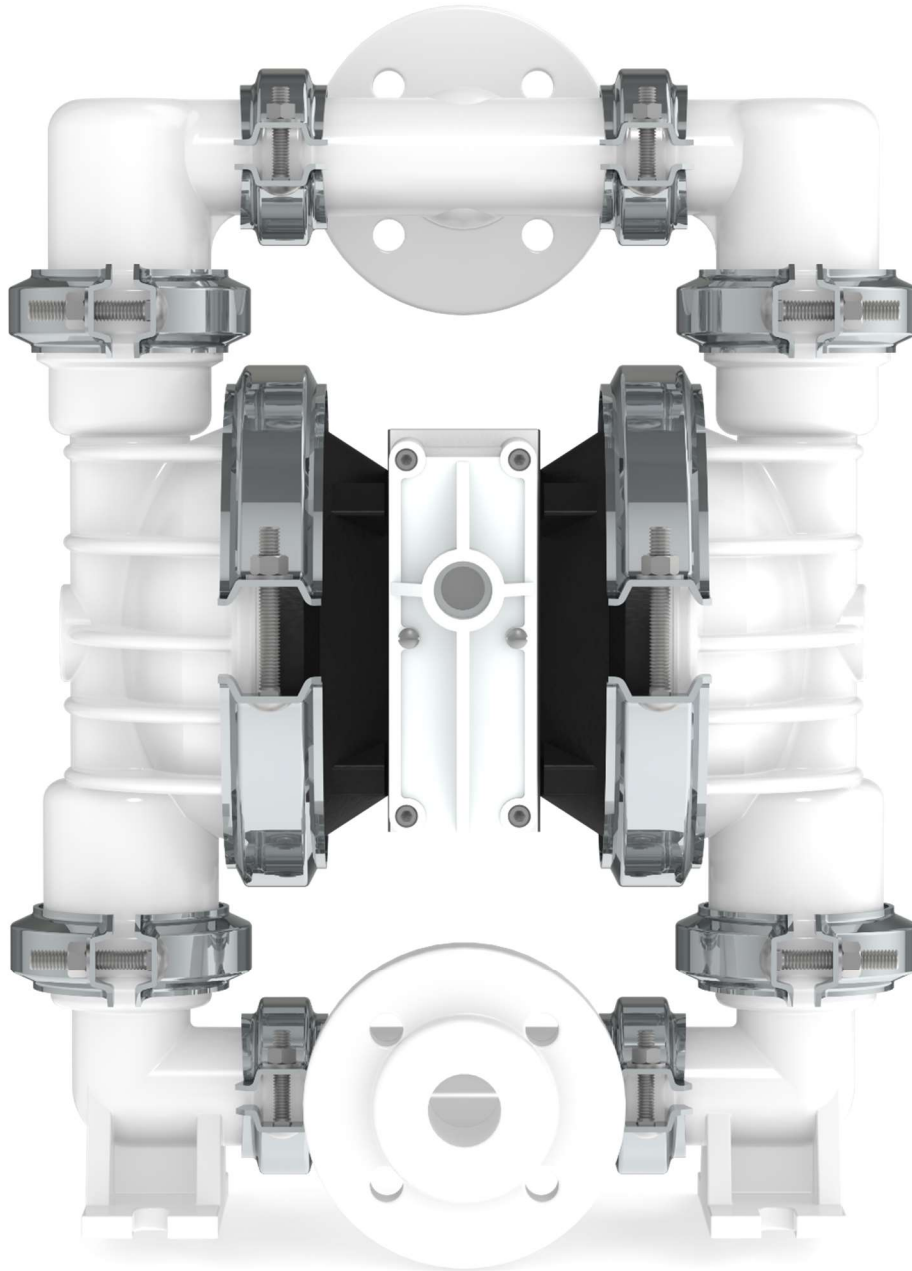


**AIR OPERATED  
DOUBLE  
DIAPHRAGM  
PUMPS**



ISO 9001: 2008  
ISO 14001: 2004

[pricepumps.co.in](http://pricepumps.co.in)



**1½" POLYPROPYLENE PUMP  
AOD 40 PF PPGP/TEF/TF/P/V**

[pricepumps.co.in](http://pricepumps.co.in)



# AIR OPERATED DOUBLE DIAPHRAGM PUMPS



ISO 9001: 2008  
ISO 14001: 2004

[pricepumps.co.in](http://pricepumps.co.in)

## SECTION 1- LEGEND

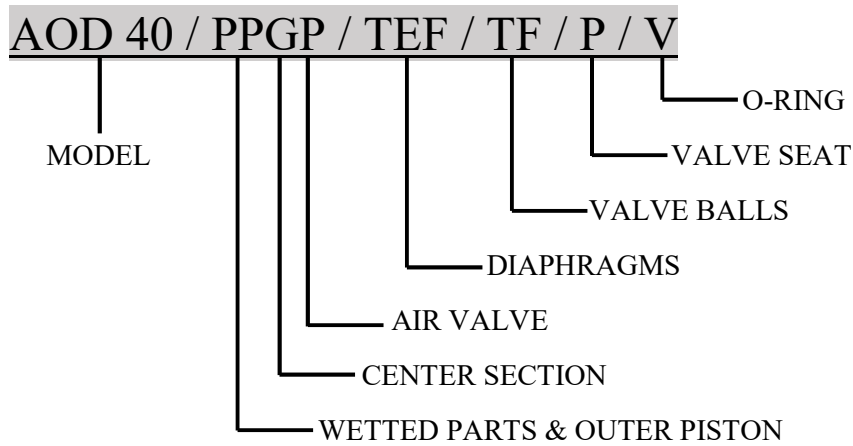
1½” POLYPROPYLENE PUMP

AOD 40/PPGP/TEF/TF/P/V

### MODEL: AOD 40 PF POLYPROPYLENE

38 mm (1½”) Pump

Maximum Flow Rate: 379 Lpm (100 gpm)



### MATERIAL CODES

MODEL  
AOD 40 = 1½” PUMP

AIR VALVE  
P = POLYPROPYLENE

VALVE BALL  
TF = TEFLON

WETTED PARTS & OUTER PISTON  
PP = POLYPROPYLENE/  
POLYPROPYLENE

DIAPHRAGMS  
TEF = TEFLON

VALVE SEAT  
P = POLYPROPYLENE

CENTER SECTION  
G = GLASS FILLED  
POLYPROPYLENE

VALVE SEAT O-RING  
V = VITON



# AIR OPERATED DOUBLE DIAPHRAGM PUMPS



ISO 9001: 2008  
ISO 14001: 2004

[pricepumps.co.in](http://pricepumps.co.in)

## SECTION 2 – SPARE PART LIST

1½” POLYPROPYLENE PUMP

AOD 40/PPGP/TEF/TF/P/V

SR No.	DISCRIPTION	PART No	QTY
1	LIQUID CHAMBER	40-1002-20	2
2	SUCTION BEND	40-2142-20	2
3	DISCHARGE BEND	40-2152-20	2
4	SUCTION DISCHARGE TEE	40-1201-20	2
5	TEE O RING	40-3146-53	4
6	SEAT O RING	40-3121-53	4
7	NRV BALL	40-1041-55	4
8	BALL SEAT	40-1062-20	4
9	BALL CAGE	40-1091-20	4
10	TEE CLAMP	40-1211-61	8
11	CHAMBER CLAMP	40-1231-61	4
12	SUCTION DISCHARGE CLAMP	40-1221-61	8
13	HOLDING PLATE	40-1111-61	2
14	LOCK NUT	40-1132-20	2
15	DIAPHRAGM	40-2001-55	2
16	BACK UP DIAPHRAGM	40-2101-65	2
17	CENTER BLOCK	40-1301-23	1
18	CENTER BLOCK O RING	40-3155-56	4
19	REDUCER	40-1376-21	1
20	CENTER BLOCK PATTI	40-1319-03	4
21	CENTER BLOCK PIPE	40-1318-03	4
22	MAIN SHAFT	40-1341-03	1
23	AIR COVER	40-1402-01	2
24	AIR COVER GASKET	40-3311-51	2
25	PILOT BUSH	40-1471-07	1
26	PILOT SHAFT	40-1451-03	1
27	PILOT BUSH O RING	40-3161-51	4
28	PILOT SHAFT O RING	15-3176-56	4
29	PILOT SHAFT LOCK O RING	40-3181-51	2



# AIR OPERATED DOUBLE DIAPHRAGM PUMPS



ISO 9001: 2008  
ISO 14001: 2004

[pricepumps.co.in](http://pricepumps.co.in)

## SECTION 2 – SPARE PART LIST (CONTINUED...)

1½” POLYPROPYLENE PUMP

AOD 40/PPGP/TEF/TF/P/V

SR No.	DISCRIPTION	PART No	QTY
30	PISTON BLOCK	40-1501-20	1
31	PISTON	40-1521-69	1
32	PISTON/CAP O RING	40-3201-51	2
33	PISTON O RING SMALL	40-3222-51	4
34	PISTON RING BIG	40-3241-68	1
35	PISTON RING SMALL	40-3246-68	4
36	PISTON BLOCK CAP	40-1571-20	1
37	PISTON BLOCK COVER	40-1561-20	1
38	PISTON BLOCK GASKET	40-3321-51	1
39	PISTON BLOCK COVER GASKET	40-3331-51	1
40	EXHAUST	40-1366-23	1
41	AIR NIPPLE	40-1371-07	1
42	FLANGE	40-1384-20	2
43	STUB END	40-1387-20	2
44	3/8" X 80 MM CARRIAGE BOLTS SS (CHAMBER BOLTS)	04-6023-03	4
45	3/8" X 60 MM CARRIAGE BOLTS SS (SUC/DIS)	04-6022-03	8
46	5/16" X 45 MM CARRIAGE BOLTS SS (TEE CLAMP)	04-6035-03	8
47	3/8" X 1¼" HEX BOLTS SS (AIR COVER)	04-6016-03	8
48	5/16 X 17 X 1.5 MM SS WASHER	04-6215-03	8
49	3/8 X 20.7 X 1.5 MM SS WASHER (CHAMBER)	04-6210-03	12
50	¼" X 4" ALLEN BOLTS MS (P B)	04-6004-61	4
51	3/8 MS HEX NUT	04-6304-61	12
52	5/16 MS HEX NUT	04-6305-61	8
53	P B SCREW MS	04-6321-61	2



# AIR OPERATED DOUBLE DIAPHRAGM PUMPS



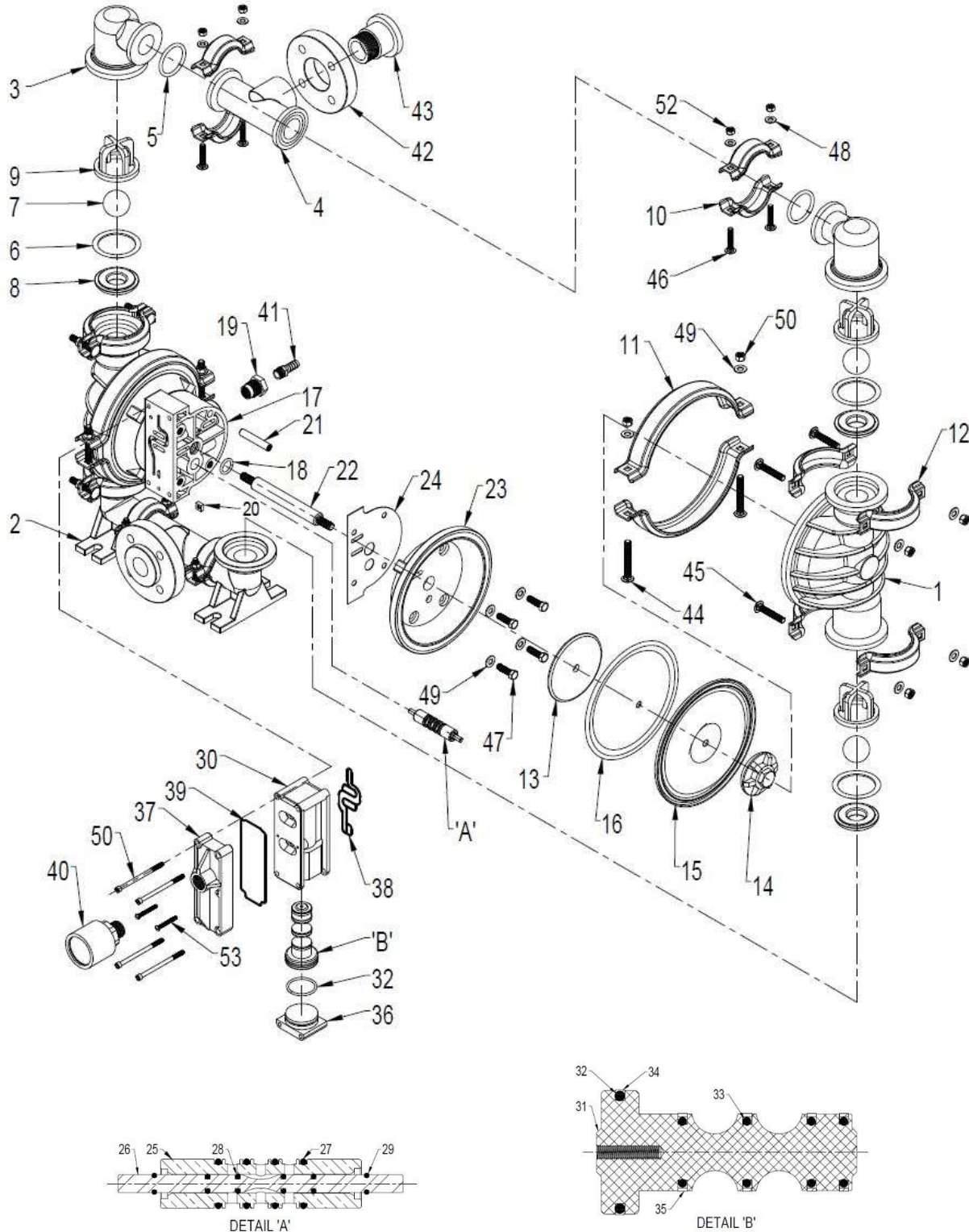
ISO 9001: 2008  
ISO 14001: 2004

pricepumps.co.in

## SECTION 3 – EXPLODED VIEW

1½" POLYPROPYLENE PUMP

AOD 40/PPGP/TEF/TF/P/V







# AIR OPERATED DOUBLE DIAPHRAGM PUMPS



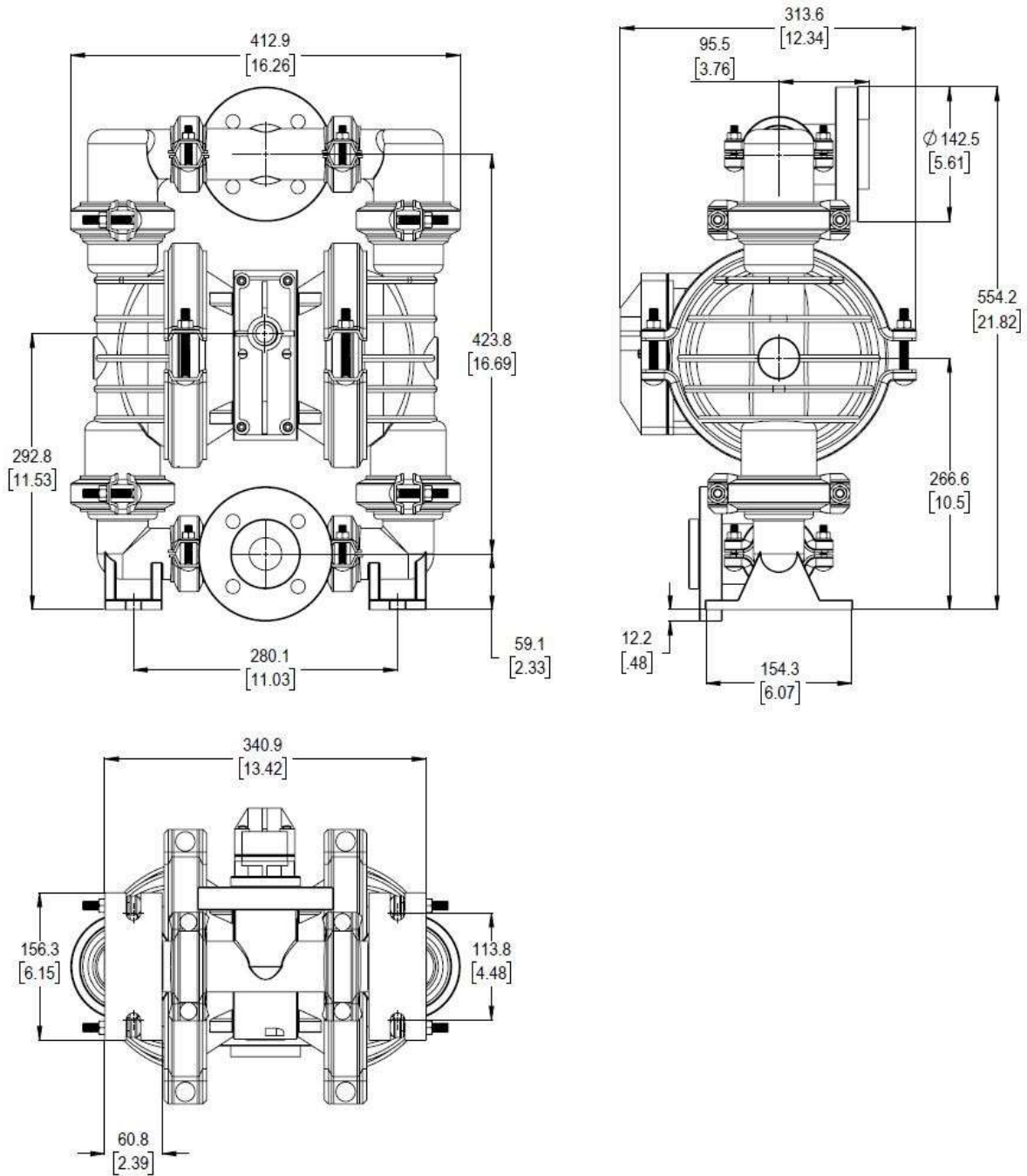
ISO 9001: 2008  
ISO 14001: 2004

[pricepumps.co.in](http://pricepumps.co.in)

## SECTION 4 – DIMENSIONAL DRAWING

1½" POLYPROPYLENE PUMP

AOD 40/PPGP/TEF/TF/P/V





# AIR OPERATED DOUBLE DIAPHRAGM PUMPS



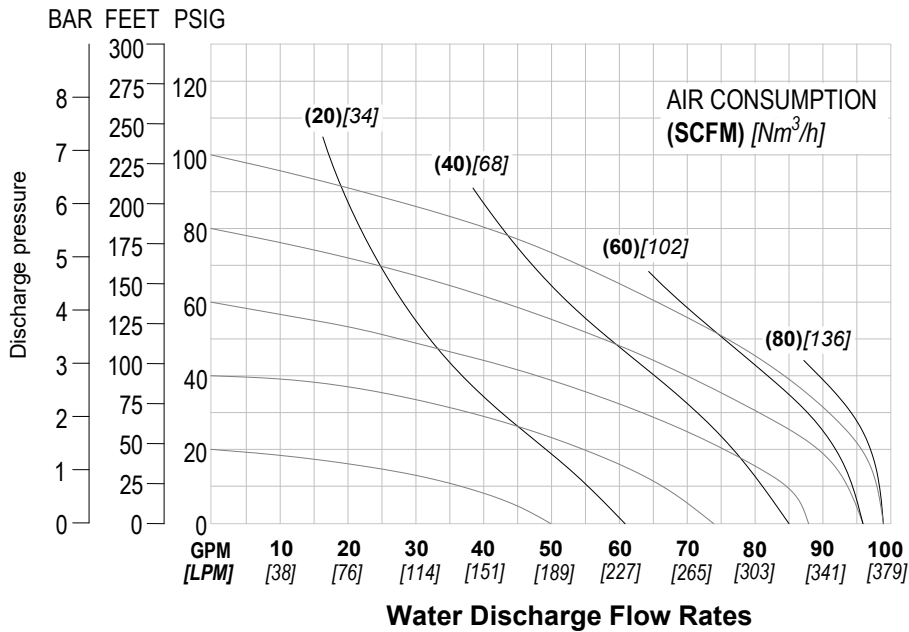
ISO 9001: 2008  
ISO 14001: 2004

pricepumps.co.in

## SECTION 5 – SPECIFICATION & PERFORMANCE

1½” POLYPROPYLENE PUMP

AOD 40/PPGP/TEF/TF/P/V



### SPECIFICATIONS:

MAX FLOW RATE:	379 Lpm (100 gpm)
MAX AIR PRESSURE:	7 Kgs
AIR INLET:	13 mm (1/2” BSP)
PORT INLET:	38 mm (1-1/2” BSP)
DISCHARGE:	38 mm (1-1/2” BSP)
SUCTION LIFT: DRY:	5.9 m (19.5’)
WET:	8.3 m (27.2’)
MAX PARTICLE SIZE:	(Dia) 4.8mm (3/16”)
AIR EXHAUST:	(3/4” BSP)

### SHIPPING DIMENSIONS:

HEIGHT:	580 mm (22.83”)
WIDTH:	400 mm (15.75”)
LENGTH:	450 mm (17.72”)
WEIGHT:	22.5 Kgs

Price Pumps meet ISO 9001-2015, ISO 14001 & CE quality standards.



**AIR OPERATED  
DOUBLE  
DIAPHRAGM  
PUMPS**



ISO 9001: 2008  
ISO 14001: 2004

[pricepumps.co.in](http://pricepumps.co.in)

**NOTES:**