

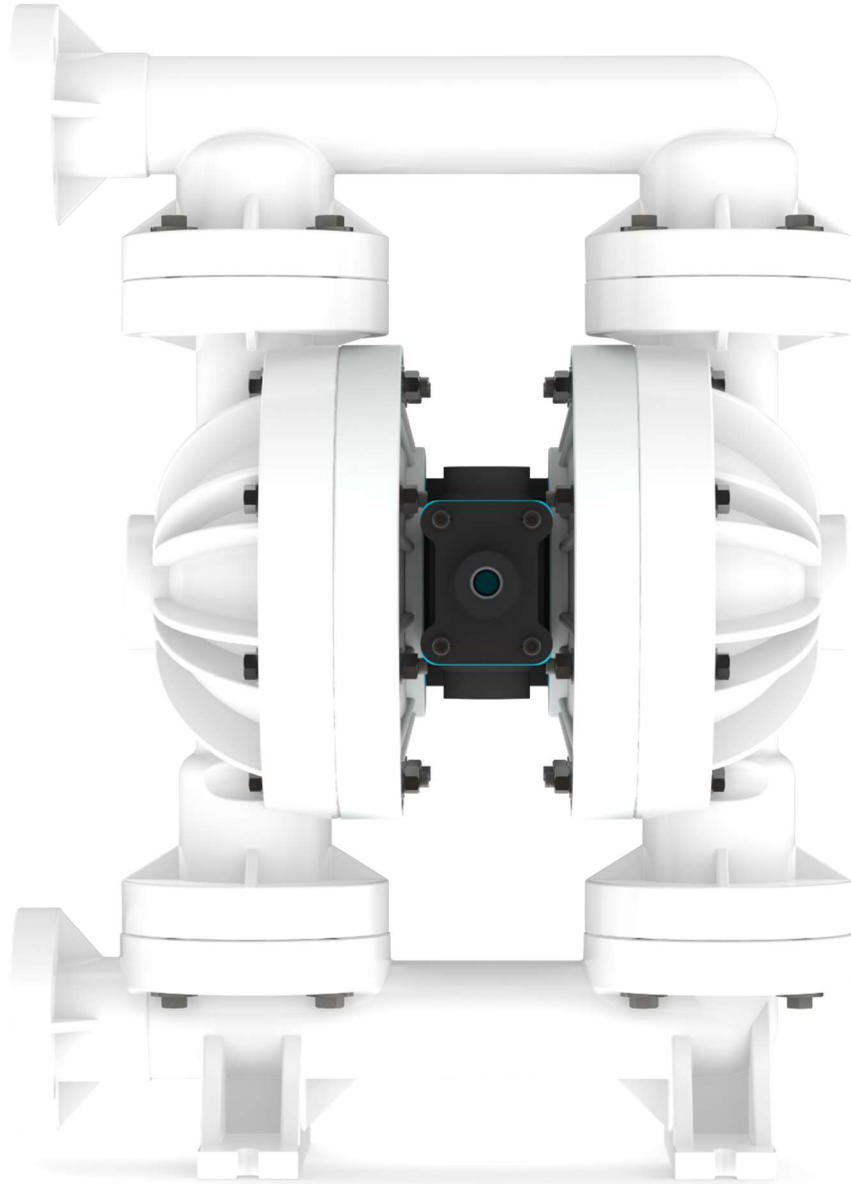


**AIR OPERATED
DOUBLE
DIAPHRAGM
PUMPS**



ISO 9001: 2008
ISO 14001: 2004

pricepumps.co.in



**1½” POLYPROPYLENE PUMP
AOD 400 NSV PPGG/SAN/NE/P/N**

pricepumps.co.in



AIR OPERATED DOUBLE DIAPHRAGM PUMPS



ISO 9001: 2008
ISO 14001: 2004

pricepumps.co.in

SECTION 1- LEGEND

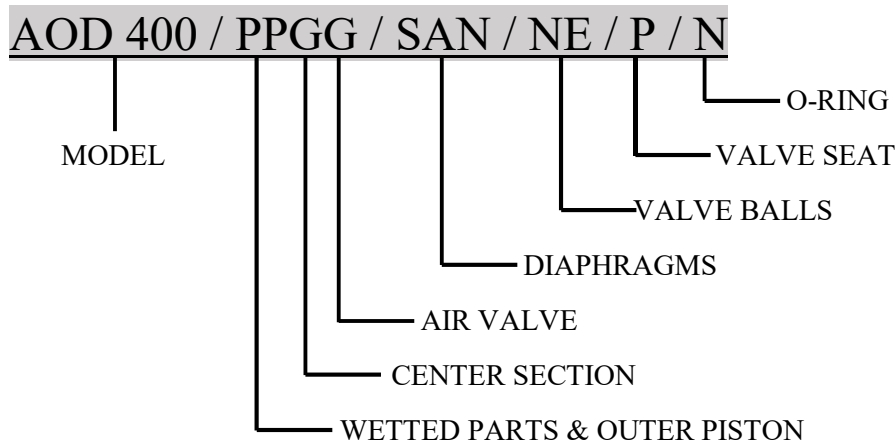
1½” POLYPROPYLENE PUMP

AOD 400/PPGG/SAN/NE/P/N

MODEL: AOD 400 NSV POLYPROPYLENE

38 mm (1½”) Pump

Maximum Flow Rate: 458 Lpm (121 gpm)



MATERIAL CODES

MODEL
AOD 400 = 1½” PUMP

AIR VALVE
G = GLASS FILLED
POLYPROPYLENE

VALVE BALL
NE = NEOPRENE

WETTED PARTS & OUTER PISTON
PP = POLYPROPYLENE/
POLYPROPYLENE

DIAPHRAGMS
SAN = SANTOPRENE

VALVE SEAT
P = POLYPROPYLENE

CENTER SECTION
G = GLASS FILLED
POLYPROPYLENE

VALVE SEAT O-RING
N = NEOPRENE



AIR OPERATED DOUBLE DIAPHRAGM PUMPS



ISO 9001: 2008
ISO 14001: 2004

pricepumps.co.in

SECTION 2 – SPARE PART LIST

1½” POLYPROPYLENE PUMP

AOD 400/PPGG/SAN/NE/P/N

SR No.	DISCRIPTION	PART No	QTY
1	LIQUID CHAMBER	40-1001-20	2
2	SUCTION MANIFOLD	40-1021-20	1
3	DISCHARGE MANIFOLD	40-1031-20	1
4	NRV BALL	40-1041-51	4
5	BALL SEAT	40-1061-20	4
6	MANIFOLD O RING	40-3101-51	4
7	SEAT O RING	40-3111-51	4
8	BALL CAGE	40-1091-20	4
9	HOLDING PLATE	40-1112-61	2
10	LOCK NUT	40-1131-20	2
11	DIAPHRAGM	40-2041-58	2
12	BACK UP DIAPHRAGM	N/A	-
13	CENTER BLOCK	40-1306-23	1
14	CENTER BLOCK O RING	40-3155-56	4
15	CENTER BLOCK PIPE	40-1316-03	4
16	MAIN SHAFT	40-1342-03	1
17	AIR COVER	40-1402-23	2
18	AIR COVER GASKET	40-3311-60	2
19	AIR COVER BUFFER	40-1426-51	2
20	PILOT SHAFT	40-1455-03	1
21	PILOT DRILL BUSH	40-1493-07	5
22	PILOT SHAFT O RING	40-3176-56	6
23	PILOT PLANE BUSH	40-1491-07	2



AIR OPERATED DOUBLE DIAPHRAGM PUMPS



ISO 9001: 2008
ISO 14001: 2004

pricepumps.co.in

SECTION 2 – SPARE PART LIST (CONTINUED...)

1½” POLYPROPYLENE PUMP

AOD 400/PPGG/SAN/NE/P/N

SR No.	DISCRIPTION	PART No	QTY
24	PISTON BLOCK	30-1506-23	1
25	PISTON BLOCK BUSH	40-1541-07	1
26	PISTON BLOCK CAP/ PISTON BLOCK BUSH O RING	40-3270-51	8
27	PISTON	40-1525-01	1
28	PISTON O RING	40-3205-51	3
29	PISTON RING	40-3261-64	3
30	PISTON BLOCK CAP	40-1575-63	2
31	PISTON BLOCK CAP RETAINING RING	40-1581-61	2
32	PISTON BLOCK COVER	40-1564-23	1
33	PISTON BLOCK GASKET	40-3324-60	1
34	PISTON BLOCK COVER GASKET	40-3334-60	1
35	EXHAUST	40-1366-23	1
36	AIR NIPPLE	40-1371-07	1
37	3/8" X 95 MM HEX BOLTS SS (CHAMBER BOLTS)	04-6025-03	16
38	5/16" X 1" HEX BOLTS SS (AIR COVER)	04-6027-03	10
39	3/8 X 3 MM SS WASHER (CHAMBER)	04-6206-03	32
40	¼" X 4" ALLEN BOLTS MS (P B)	04-6005-61	4
41	3/8 MS HEX NUT	04-6304-61	12
42	5/16 X 20 X 2 MM SS WASHER (AIR COVER)	04-6216-03	10
43	3/8" X 60 MM HEX BOLTS SS (SUC/DIS)	04-6022-03	16
44	¼ X 12.5 X 1.2 MM SS WASHER (P B ALLEN BOLT)	04-6202-03	4



AIR OPERATED DOUBLE DIAPHRAGM PUMPS



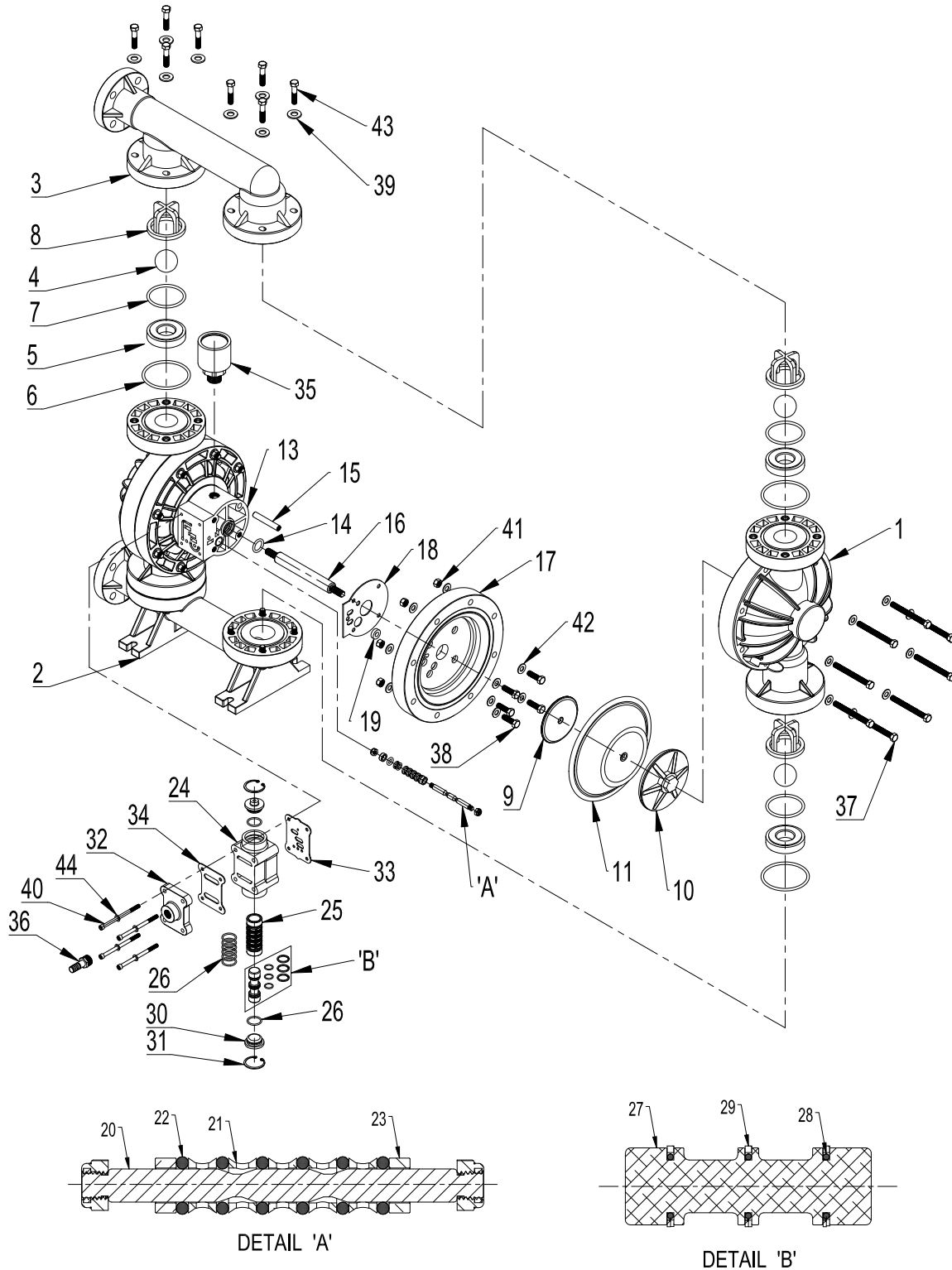
ISO 9001: 2008
ISO 14001: 2004

pricepumps.co.in

SECTION 3 – EXPLODED VIEW

1½" POLYPROPYLENE PUMP

AOD 400/PPGG/SAN/NE/P/N





AIR OPERATED DOUBLE DIAPHRAGM PUMPS



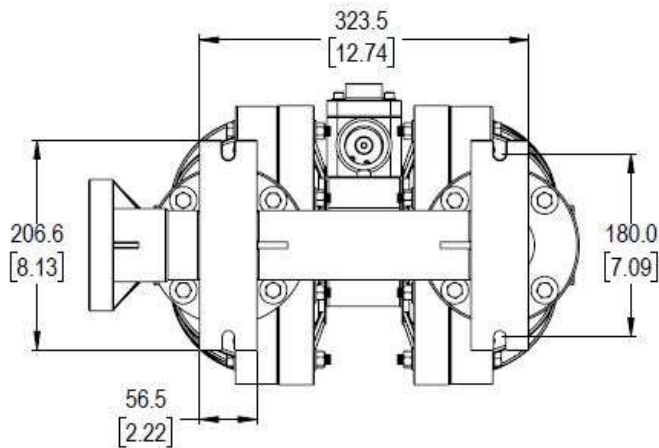
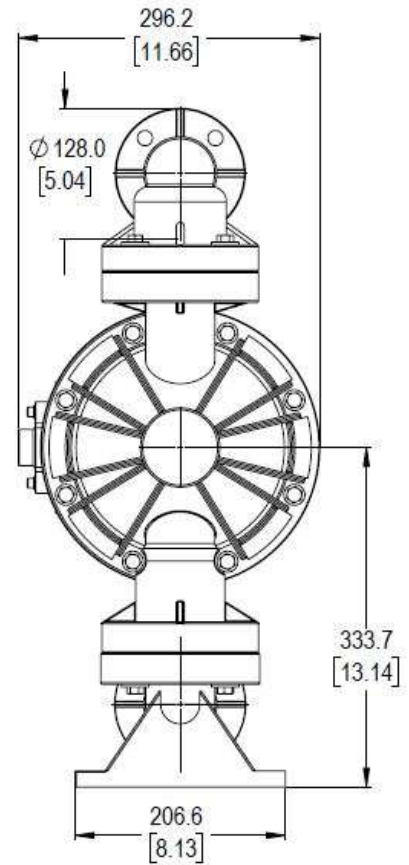
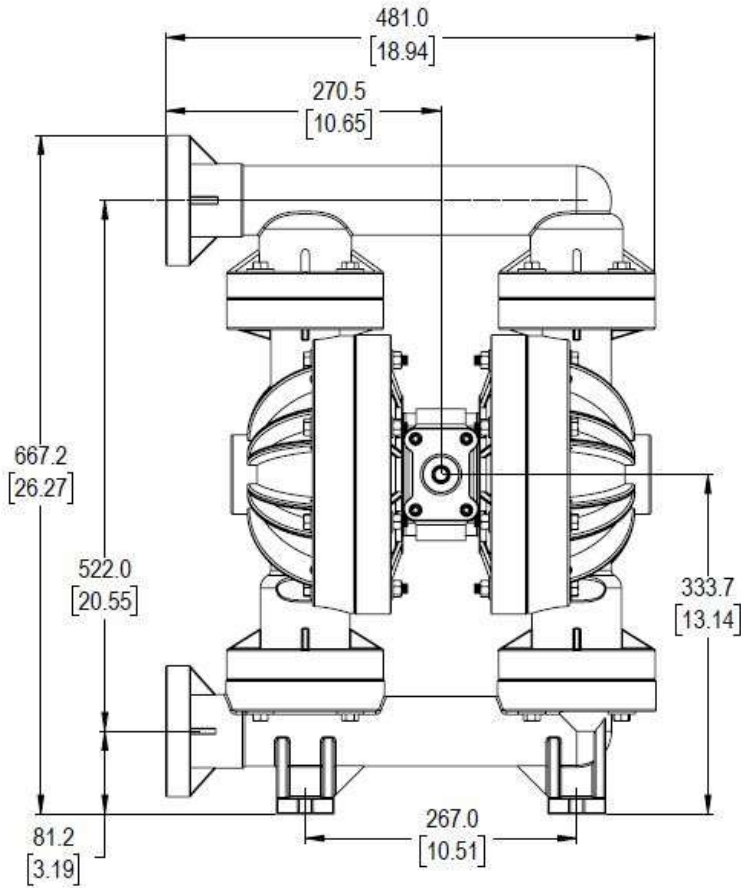
ISO 9001: 2008
ISO 14001: 2004

pricepumps.co.in

SECTION 4 – DIMENSIONAL DRAWING

1½” POLYPROPYLENE PUMP

AOD 400/PPGG/SAN/NE/P/N





AIR OPERATED DOUBLE DIAPHRAGM PUMPS



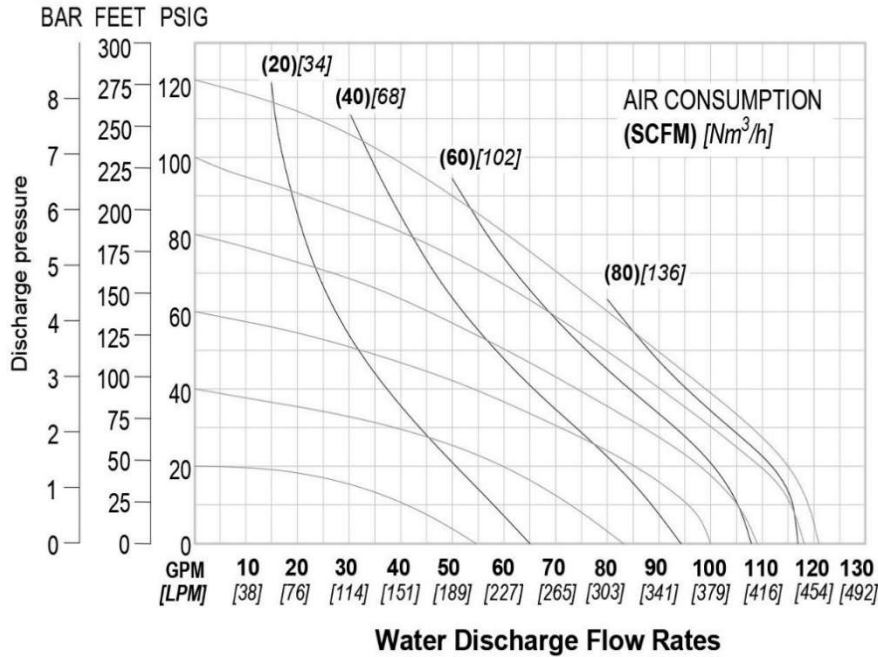
ISO 9001: 2008
ISO 14001: 2004

pricepumps.co.in

SECTION 5 – SPECIFICATION & PERFORMANCE

1½” POLYPROPYLENE PUMP

AOD 400/PPGG/SAN/NE/P/N



SPECIFICATIONS:

MAX FLOW RATE:	458 Lpm (121 gpm)
MAX AIR PRESSURE:	120 psi (8.3 bar)
AIR INLET:	9.5 mm (3/8" BSP)
PORT INLET:	38 mm (1-1/2" BSP)
DISCHARGE:	38 mm (1-1/2" BSP)
SUCTION LIFT: DRY:	5.4 m (17.6')
WET:	9.0 m (29.5')
MAX PARTICLE SIZE:	(Dia) 6.4 mm (1/4")
AIR EXHAUST:	(1/2" BSP)

SHIPPING DIMENSIONS:

HEIGHT:	730 mm (28.74")
WIDTH:	380 mm (14.96")
LENGTH:	530 mm (20.87")
WEIGHT:	24 Kgs

Price Pumps meet ISO 9001-2015, ISO 14001 & CE quality standards.



**AIR OPERATED
DOUBLE
DIAPHRAGM
PUMPS**



ISO 9001: 2008
ISO 14001: 2004

pricepumps.co.in

NOTES: