



**AIR OPERATED  
DOUBLE  
DIAPHRAGM  
PUMPS**



ISO 9001: 2008  
ISO 14001: 2004

[pricepumps.co.in](http://pricepumps.co.in)



**1½” STAINLESS STEEL 316 PUMP  
AOD 400 NSV SSGG/TEF/TF/T**

[pricepumps.co.in](http://pricepumps.co.in)



# AIR OPERATED DOUBLE DIAPHRAGM PUMPS



ISO 9001: 2008  
ISO 14001: 2004

[pricepumps.co.in](http://pricepumps.co.in)

## SECTION 1- LEGEND

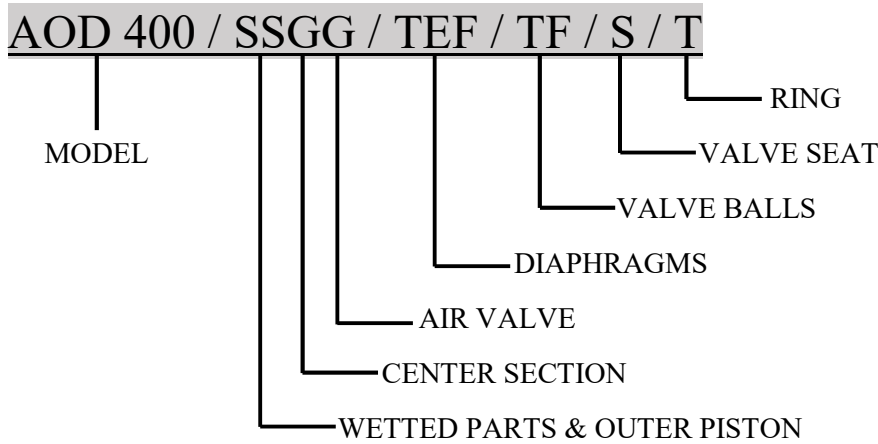
1½” STAINLESS STEEL PUMP

AOD 400/SSGG/TEF/TF/S/T

### MODEL: AOD 400 NSV STAINLESS STEEL

38mm (1½”) Pump

Maximum Flow Rate: 271 Lpm (72 gpm)



### MATERIAL CODES

MODEL  
AOD 400 = 1½” PUMP

AIR VALVE  
G = GLASS FILLED  
POLYPROPYLENE

VALVE BALL  
TF = TEFLON

WETTED PARTS & OUTER PISTON  
SS = STAINLESS STEEL/  
STAINLESS STEEL

DIAPHRAGMS  
TEF = TEFLON

VALVE SEAT  
S = STAINLESS STEEL

CENTER SECTION  
G = GLASS FILLED  
POLYPROPYLENE

VALVE SEAT RING  
T = TEFLON



# AIR OPERATED DOUBLE DIAPHRAGM PUMPS



ISO 9001: 2008  
ISO 14001: 2004

[pricepumps.co.in](http://pricepumps.co.in)

## SECTION 2 – SPARE PART LIST

1½” STAINLESS STEEL PUMP

AOD 400/SSGG/TEF/TF/S/T

SR No.	DISCRIPTION	PART No	QTY
1	LIQUID CHAMBER	40-1002-03	2
2	SUCTION MANIFOLD	40-1022-03	1
3	DISCHARGE MANIFOLD	40-1032-03	1
4	NRV BALL	40-1041-55	4
5	BALL SEAT	40-1076-03	4
6	SEAT ENVELOP GASKET	50-3303-55	4
7	HOLDING PLATE	40-1112-61	2
8	LOCK NUT	40-1133-03	2
9	DIAPHRAGM	40-2001-55	2
10	BACK UP DIAPHRAGM	40-2101-65	2
11	BEND PLUG	40-1361-01	4
12	BEND PLUG GASKET	40-3343-55	4
13	CENTER BLOCK	40-1306-23	1
14	CENTER BLOCK O RING	40-3155-56	4
15	CENTER BLOCK PIPE	40-1316-03	4
16	MAIN SHAFT	40-1341-03	1
17	AIR COVER	40-1403-01	2
18	AIR COVER GASKET	40-3311-60	2
19	PILOT SHAFT	40-1455-03	1
20	PILOT DRILL BUSH	40-1493-07	5
21	PILOT SHAFT O RING	40-3176-56	6
22	PILOT PLANE BUSH	40-1491-07	2



# AIR OPERATED DOUBLE DIAPHRAGM PUMPS



ISO 9001: 2008  
ISO 14001: 2004

[pricepumps.co.in](http://pricepumps.co.in)

## SECTION 2 – SPARE PART LIST (CONTINUED...)

1½” STAINLESS STEEL PUMP

AOD 400/SSGG/TEF/TF/S/T

SR No.	DISCRIPTION	PART No	QTY
23	PISTON BLOCK	30-1506-23	1
24	PISTON BLOCK BUSH	40-1541-07	1
25	PISTON BLOCK CAP/ PISTON BLOCK BUSH O RING	40-3270-51	8
26	PISTON	40-1525-01	1
27	PISTON O RING	40-3205-51	3
28	PISTON RING	40-3261-64	3
29	PISTON BLOCK CAP	40-1575-63	2
30	PISTON BLOCK CAP CIRCLIP	40-1581-61	2
31	PISTON BLOCK COVER	40-1564-23	1
32	PISTON BLOCK GASKET	40-3324-60	1
33	PISTON BLOCK COVER GASKET	40-3334-60	1
34	EXHAUST	40-1366-23	1
35	AIR NIPPLE	40-1371-07	1
36	STUB END	40-1387-03	2
37	FLANGE	40-1384-03	2
38	3/8" X 1¾" HEX BOLTS SS (CHAMBER BOLTS)	04-6018-03	20
39	3/8" X 1¼" HEX BOLTS SS (SUC/DIS)	04-6016-03	16
40	5/16" X 1½" CSK BOLTS SS (AIR COVER)	04-6029-03	10
41	3/8 X 20.7 X 1.5 MM SS WASHER (CHAMBER)	04-6210-03	72
42	¼" X 4" ALLEN BOLTS MS (P B)	04-6005-61	4
43	¼ X 12.5 X 1.2 MM SS WASHER (P B ALLEN BOLT)	04-6202-03	4
44	3/8 MS HEX NUT	04-6304-61	36



# AIR OPERATED DOUBLE DIAPHRAGM PUMPS



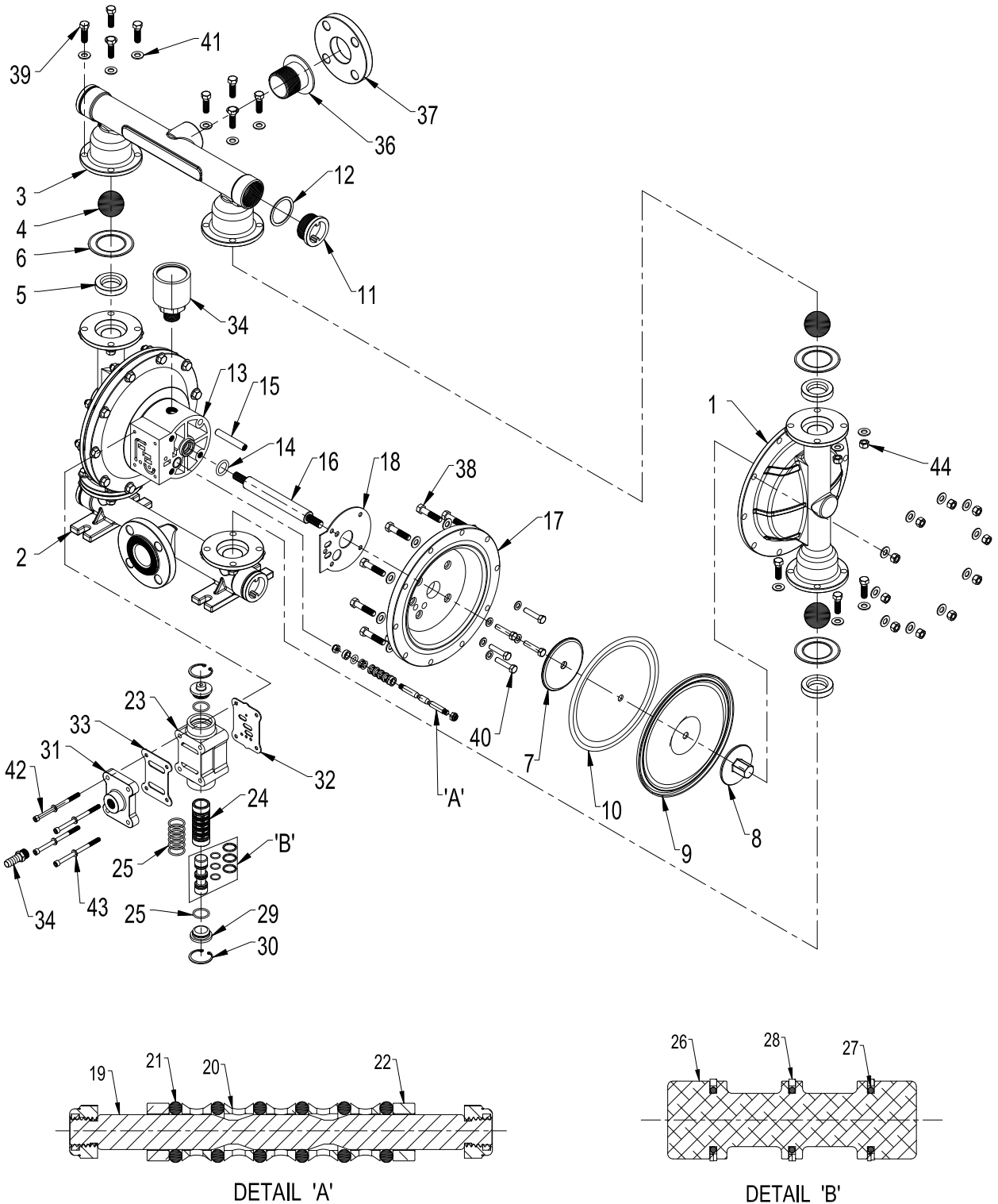
ISO 9001: 2008  
ISO 14001: 2004

pricepumps.co.in

## SECTION 3 – EXPLODED VIEW

1½” STAINLESS STEEL PUMP

AOD 400/SSGG/TEF/TF/S/T





# AIR OPERATED DOUBLE DIAPHRAGM PUMPS



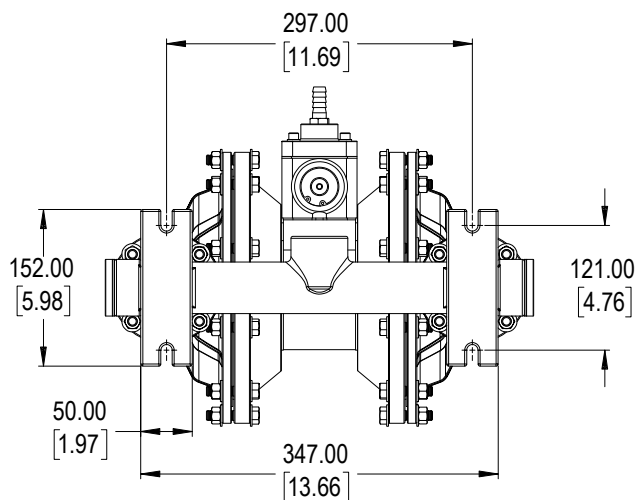
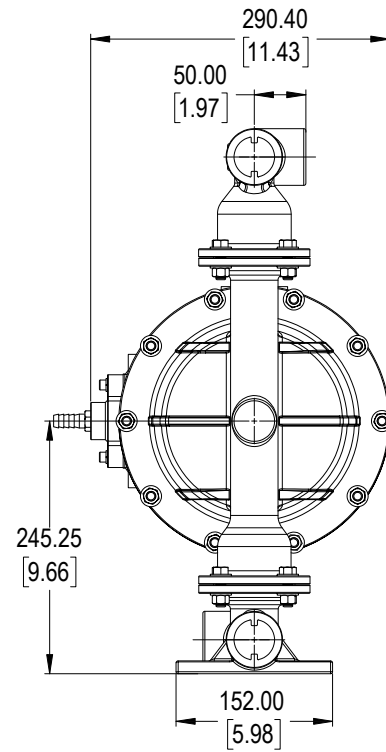
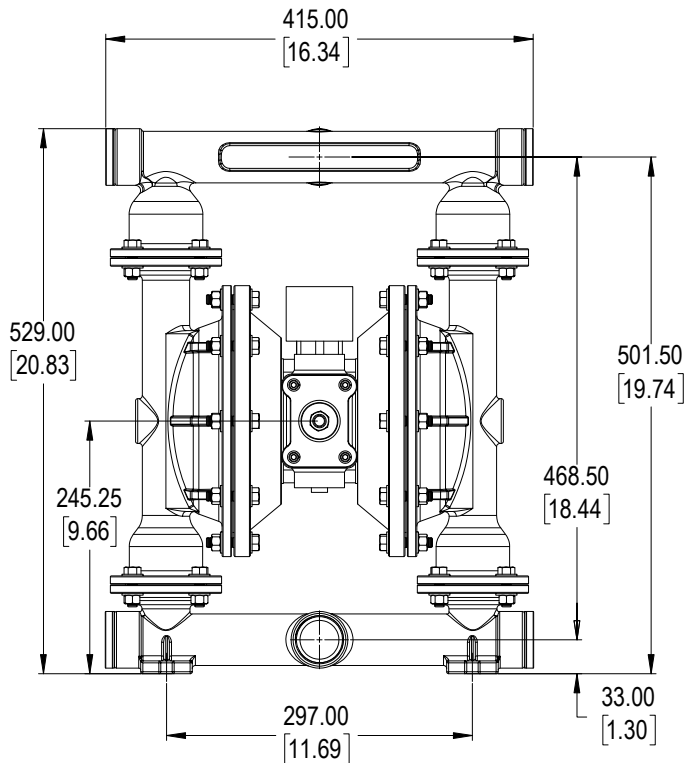
ISO 9001: 2008  
ISO 14001: 2004

[pricepumps.co.in](http://pricepumps.co.in)

## SECTION 4 – DIMENSIONAL DRAWING

1½” STAINLESS STEEL PUMP

AOD 400/SSGG/TEF/TF/S/T







**AIR OPERATED  
DOUBLE  
DIAPHRAGM  
PUMPS**



ISO 9001: 2008  
ISO 14001: 2004

[pricepumps.co.in](http://pricepumps.co.in)

**NOTES:**