

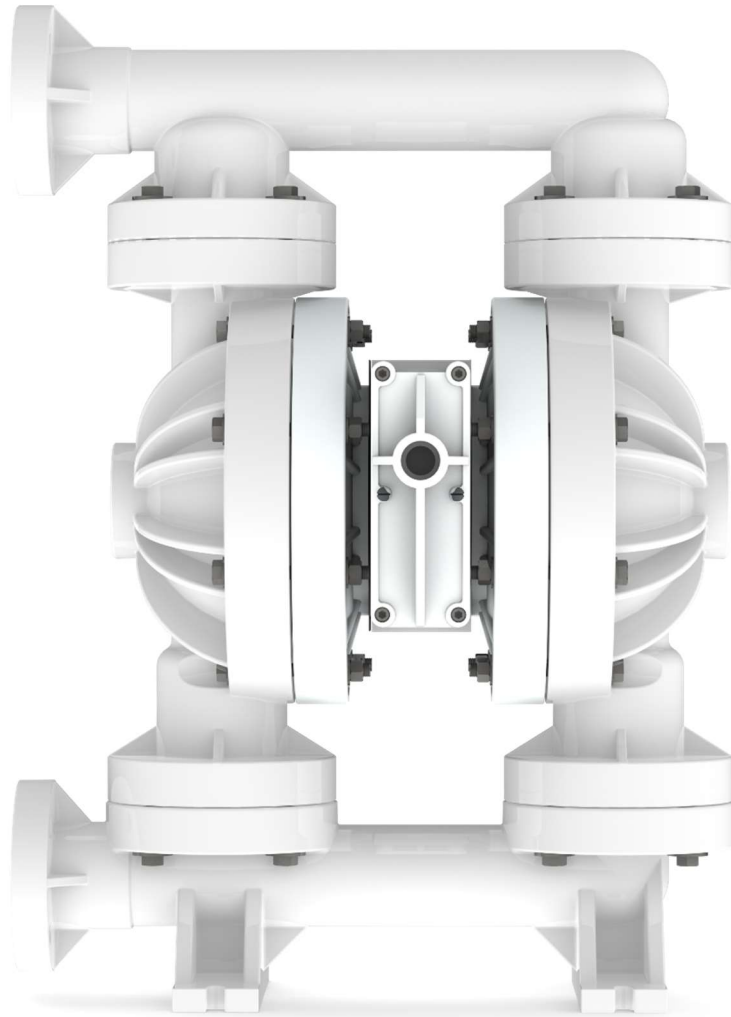


**AIR OPERATED
DOUBLE
DIAPHRAGM
PUMPS**



ISO 9001: 2008
ISO 14001: 2004

pricepumps.co.in



1½” POLYPROPYLENE PUMP AOD 400 PFF PPGP/HYT/TF/P/N

pricepumps.co.in



AIR OPERATED DOUBLE DIAPHRAGM PUMPS



ISO 9001: 2008
ISO 14001: 2004

pricepumps.co.in

SECTION 1- LEGEND

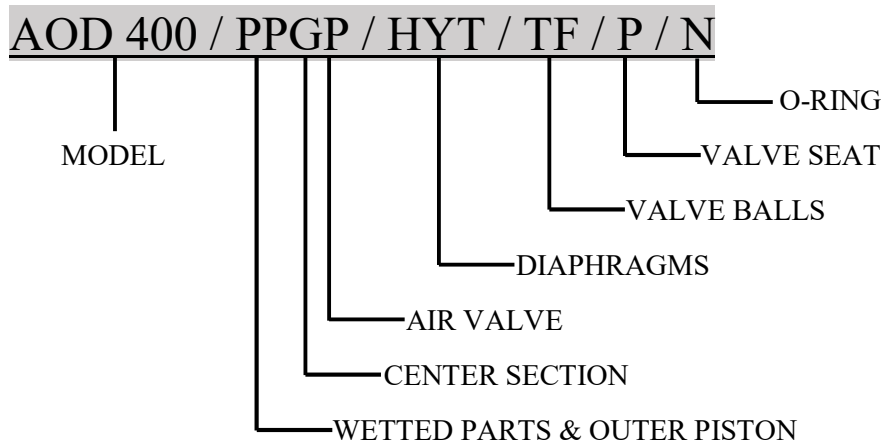
1½” POLYPROPYLENE PUMP

AOD 400/PPGP/HYT/TF/P/N

MODEL: AOD 400 PFF POLYPROPYLENE

38 mm (1½”) Pump

Maximum Flow Rate: 447 Lpm (118 gpm)



MATERIAL CODES

MODEL
AOD 400 = 1½” PUMP

AIR VALVE
P = POLYPROPYLENE

VALVE BALL
TF = TEFLON

WETTED PARTS & OUTER PISTON
PP = POLYPROPYLENE/
POLYPROPYLENE

DIAPHRAGMS
HYT = HYTREL

VALVE SEAT
P = POLYPROPYLENE

CENTER SECTION
G = GLASS FILLED
POLYPROPYLENE

VALVE SEAT O-RING
N = NEOPRENE



AIR OPERATED DOUBLE DIAPHRAGM PUMPS



ISO 9001: 2008
ISO 14001: 2004

pricepumps.co.in

SECTION 2 – SPARE PART LIST

1½” POLYPROPYLENE PUMP

AOD 400/PPGP/HYT/TF/P/N

SR No.	DISCRIPTION	PART No	QTY
1	LIQUID CHAMBER	40-1001-20	2
2	SUCTION MANIFOLD	40-1021-20	1
3	DISCHARGE MANIFOLD	40-1031-20	1
4	NRV BALL	40-1041-55	4
5	BALL SEAT	40-1061-20	4
6	MANIFOLD O RING	40-3101-51	4
7	SEAT O RING	40-3111-51	4
8	BALL CAGE	40-1091-20	4
9	HOLDING PLATE	40-1113-61	2
10	LOCK NUT	40-1133-20	2
11	DIAPHRAGM	40-2052-56	2
12	BACK UP DIAPHRAGM	N/A	-
13	CENTER BLOCK	40-1301-23	1
14	REDUCER	40-1376-21	1
15	CENTER BLOCK PATTI	40-1319-03	4
16	CENTER BLOCK PIPE	40-1318-03	4
17	CENTER BLOCK O RING	40-3155-56	4
18	MAIN SHAFT	40-1342-03	1
19	AIR COVER GASKET	40-3311-51	2
20	AIR COVER	40-1404-23	2
21	PILOT BUSH	40-1471-07	1
22	PILOT SHAFT	40-1451-03	1
23	PILOT BUSH O RING	40-3161-51	4
24	PILOT SHAFT O RING	15-3176-56	4
25	PILOT SHAFT LOCK O RING	40-3181-51	2



AIR OPERATED DOUBLE DIAPHRAGM PUMPS



ISO 9001: 2008
ISO 14001: 2004

pricepumps.co.in

SECTION 2 – SPARE PART LIST (CONTINUED...)

1½” POLYPROPYLENE PUMP

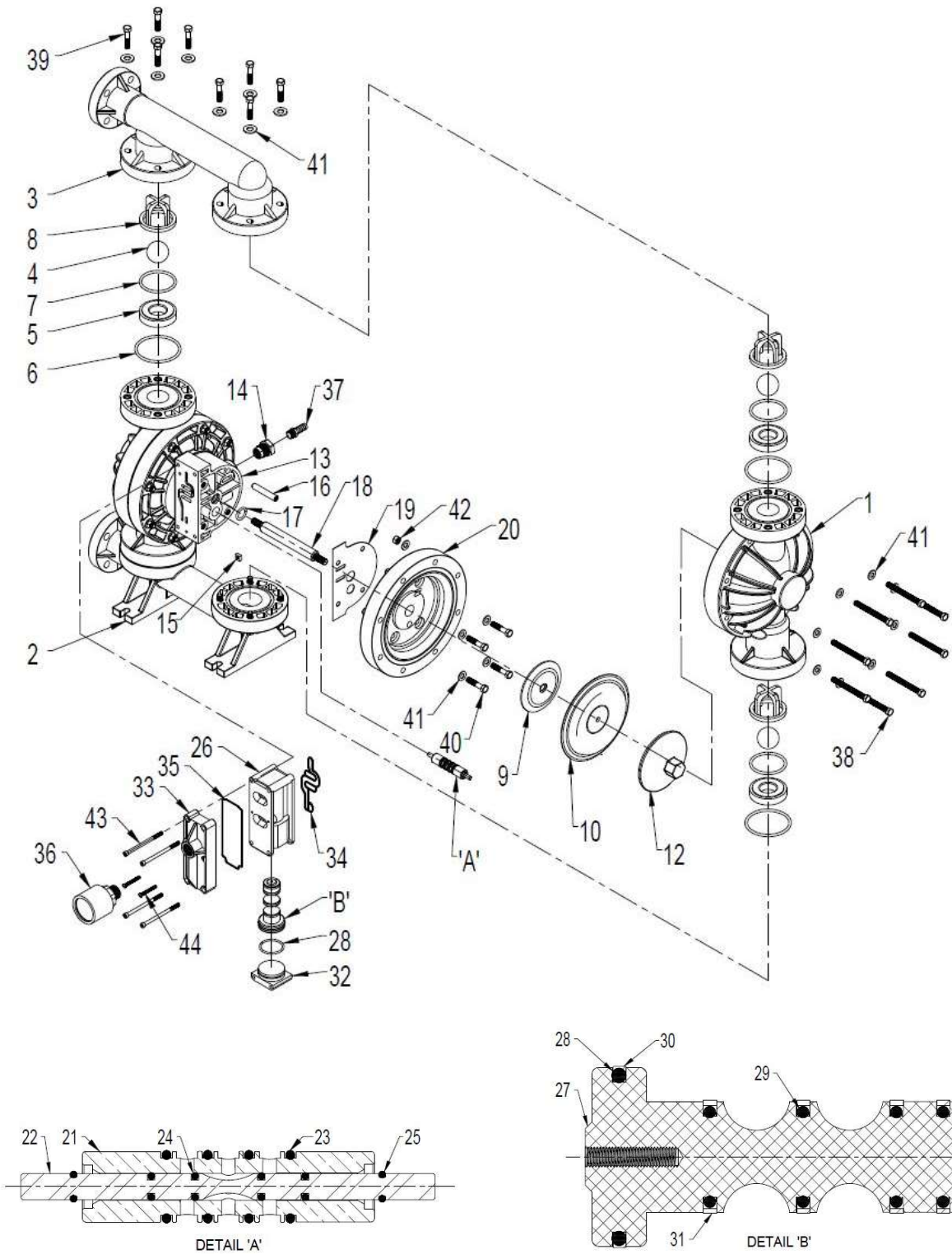
AOD 400/PPGP/HYT/TF/P/N

SR No.	DISCRIPTION	PART No	QTY
26	PISTON BLOCK	40-1501-20	1
27	PISTON	40-1521-69	1
28	PISTON/CAP O RING BIG	40-3201-51	2
29	PISTON O RING SMALL	40-3222-51	4
30	PISTON RING BIG	40-3241-68	1
31	PISTON RING SMALL	40-3246-68	4
32	PISTON BLOCK CAP	40-1571-20	1
33	PISTON BLOCK COVER	40-1561-20	1
34	PISTON BLOCK GASKET	40-3321-51	1
35	PISTON BLOCK COVER GASKET	40-3331-51	1
36	EXHAUST	40-1366-23	1
37	AIR NIPPLE	40-1371-07	1
38	3/8" X 95 MM HEX BOLTS SS (CHAMBER BOLTS)	04-6025-03	16
39	3/8" X 1¼" HEX BOLTS SS (SUC/DIS)	04-6018-03	16
40	3/8" X 1¼" HEX BOLTS SS (AIR COVER)	04-6016-03	8
41	3/8 X 3 MM SS WASHER (AIR COVER)	04-6206-03	56
42	3/8 MS HEX NUT	04-6304-61	16
43	¼" X 4" ALLEN BOLTS MS (P B)	04-6005-61	4
44	PISTON BLOCK SCREW MS	04-6321-61	2

SECTION 3 – EXPLODED VIEW

1½" POLYPROPYLENE PUMP

AOD 400/PPGP/HYT/TF/P/N





AIR OPERATED DOUBLE DIAPHRAGM PUMPS



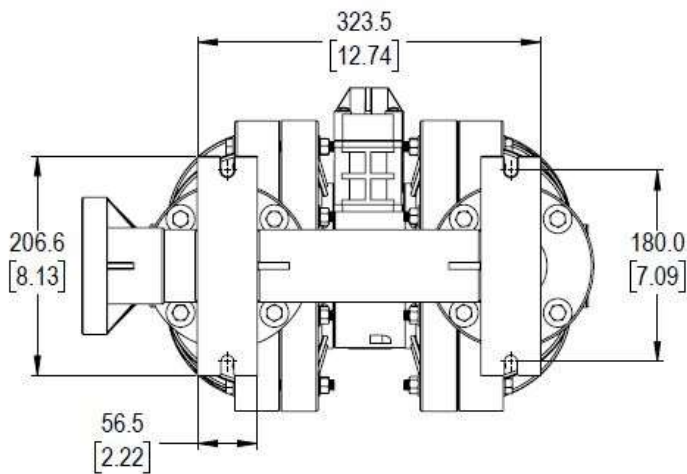
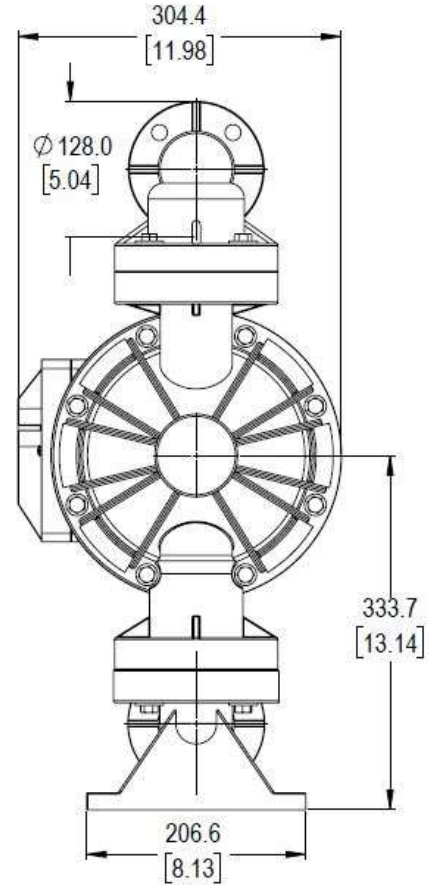
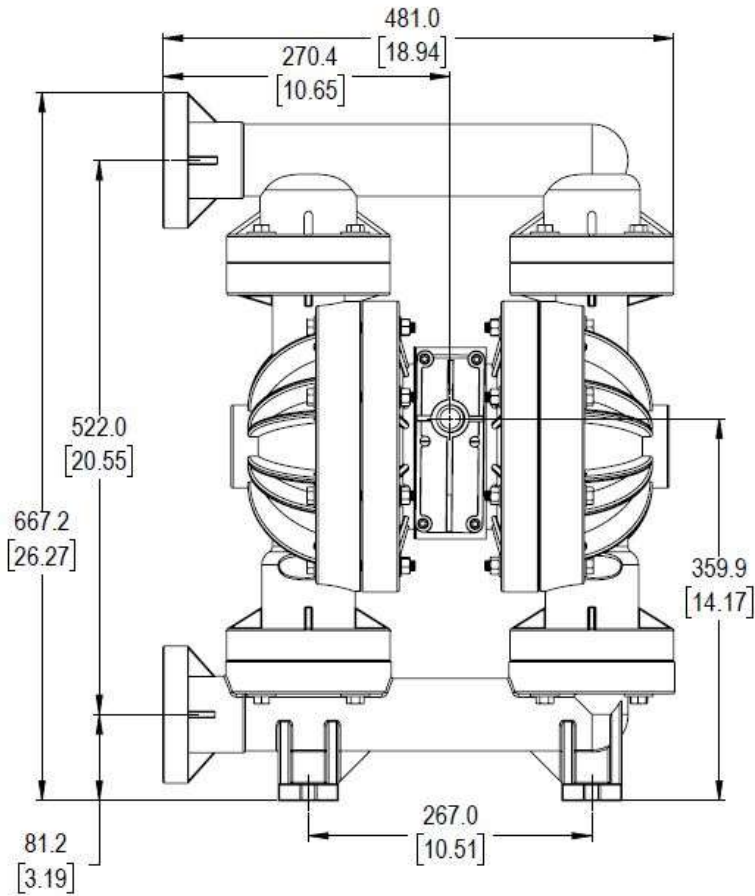
ISO 9001: 2008
ISO 14001: 2004

pricepumps.co.in

SECTION 4 – DIMENSIONAL DRAWING

1½" POLYPROPYLENE PUMP

AOD 400/PPGP/HYT/TF/P/N





AIR OPERATED DOUBLE DIAPHRAGM PUMPS



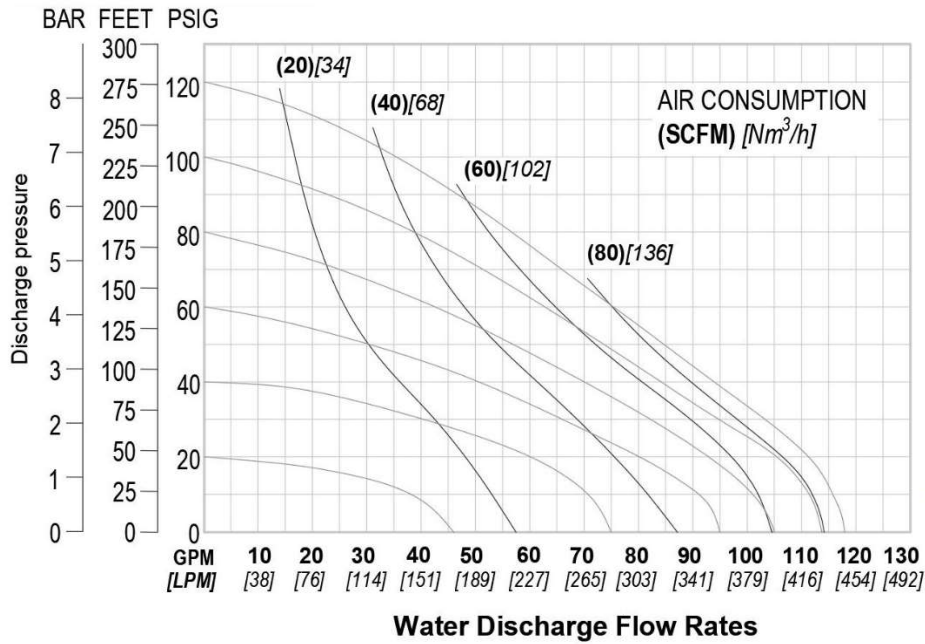
ISO 9001: 2008
ISO 14001: 2004

pricepumps.co.in

SECTION 5 – SPECIFICATION & PERFORMANCE

1½” POLYPROPYLENE PUMP

AOD 400/PPGP/HYT/TF/P/N



SPECIFICATIONS:

MAX FLOW RATE:	447 Lpm (118 gpm)
MAX AIR PRESSURE:	120 psi (8.3 bar)
AIR INLET:	13 mm (1/2" BSP)
PORT INLET:	38 mm (1-1/2" BSP)
DISCHARGE:	38 mm (1-1/2" BSP)
SUCTION LIFT: DRY:	5.4 m (17.6')
WET:	9.0 m (29.5')
MAX PARTICLE SIZE:	(Dia) 6.4 mm (1/4")
AIR EXHAUST:	(3/4" BSP)

SHIPPING DIMENSIONS:

HEIGHT:	730 mm (28.74")
WIDTH:	380 mm (14.96")
LENGTH:	530 mm (20.87")
WEIGHT:	24 Kgs

Price Pumps meet ISO 9001-2015, ISO 14001 & CE quality standards.



**AIR OPERATED
DOUBLE
DIAPHRAGM
PUMPS**



ISO 9001: 2008
ISO 14001: 2004

pricepumps.co.in

NOTES: