

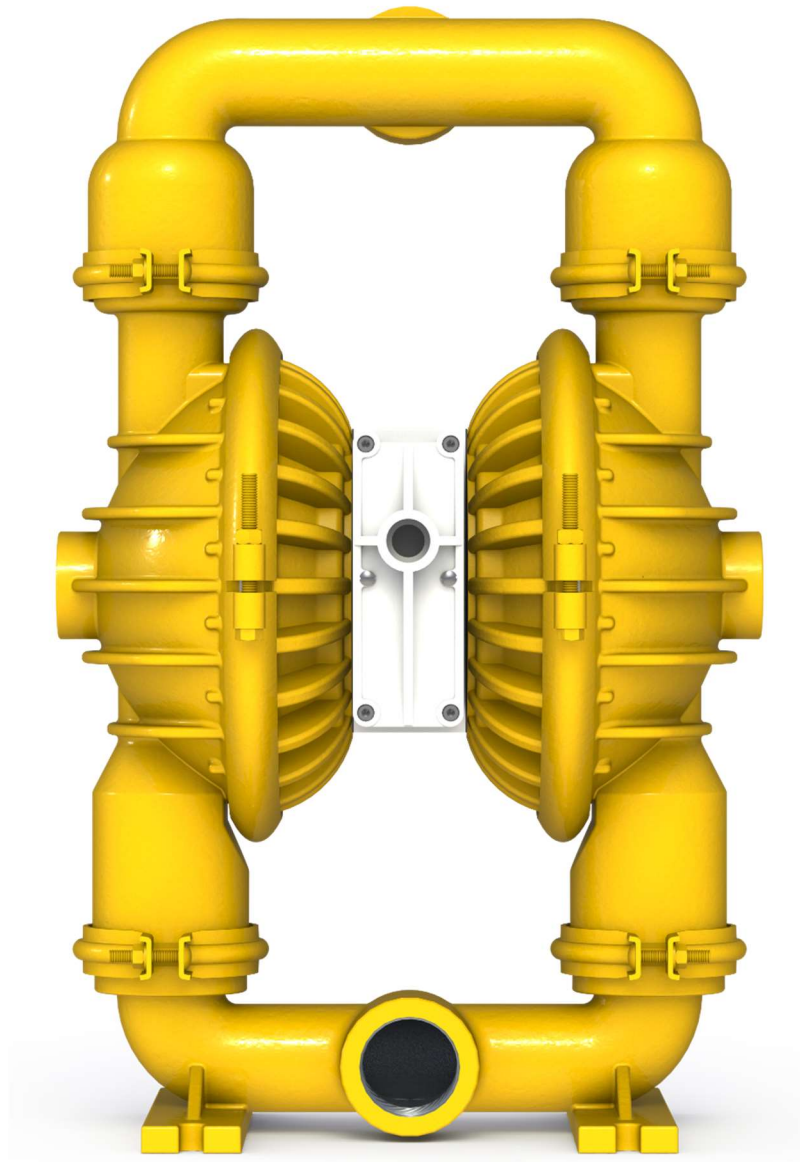


**AIR OPERATED
DOUBLE
DIAPHRAGM
PUMPS**



ISO 9001: 2008
ISO 14001: 2004

pricepumps.co.in



**2" ALUMINIUM PUMP
AOD 50 PF AAGP/NEO/NE/N**

pricepumps.co.in



AIR OPERATED DOUBLE DIAPHRAGM PUMPS



ISO 9001: 2008
ISO 14001: 2004

pricepumps.co.in

SECTION 1- LEGEND

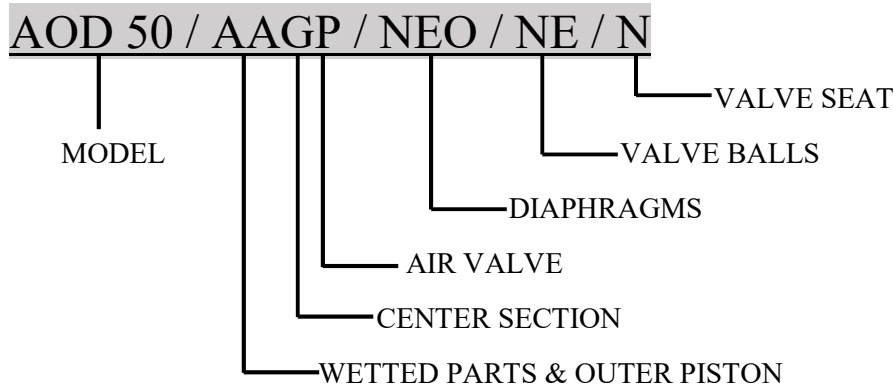
2" ALUMINIUM PUMP

AOD 50/AAGP/NEO/NE/N

MODEL: AOD 50 PF ALUMINIUM

51mm (2") Pump

Maximum Flow Rate: 681 Lpm (180 gpm)



MATERIAL CODES

MODEL
AOD 50 = 2" PUMP

AIR VALVE
P = POLYPROPYLENE

VALVE BALL
NE = NEOPRENE

WETTED PARTS & OUTER PISTON
AA = ALUMINIUM/
ALUMINIUM

DIAPHRAGMS
NEO = NEOPRENE

VALVE SEAT
N = NEOPRENE

CENTER SECTION
G = GLASS FILLED
POLYPROPYLENE



AIR OPERATED DOUBLE DIAPHRAGM PUMPS



ISO 9001: 2008
ISO 14001: 2004

pricepumps.co.in

SECTION 2 – SPARE PART LIST

2” ALUMINIUM PUMP

AOD 50/AAGP/NEO/NE/N

| SR No. | DISCRIPTION | PART No | QTY |
|--------|-------------------------|------------|-----|
| 1 | LIQUID CHAMBER | 50-1002-01 | 2 |
| 2 | SUCTION MANIFOLD | 50-1021-01 | 1 |
| 3 | DISCHARGE MANIFOLD | 50-1031-01 | 1 |
| 4 | NRV BALL | 50-1041-51 | 4 |
| 5 | BALL SEAT | 50-1081-51 | 4 |
| 6 | SEAT ENVELOP GASKET | N/A | - |
| 7 | HOLDING PLATE | 50-1111-01 | 2 |
| 8 | LOCK NUT | 50-1132-01 | 2 |
| 9 | DIAPHRAGM | 50-2021-51 | 2 |
| 10 | BACK UP DIAPHRAGM | N/A | - |
| 11 | SUCTION DISCHARGE CLAMP | 50-1222-61 | 8 |
| 12 | CHAMBER CLAMP | 50-1232-61 | 4 |
| 13 | CENTER BLOCK | 40-1301-23 | 1 |
| 14 | REDUCER | 40-1376-21 | 1 |
| 15 | CENTER BLOCK PATTI | 40-1319-03 | 4 |
| 16 | CENTER BLOCK PIPE | 40-1318-03 | 4 |
| 17 | CENTER BLOCK O RING | 40-3155-56 | 4 |
| 18 | MAIN SHAFT | 50-1341-03 | 1 |
| 19 | AIR COVER GASKET | 40-3311-51 | 2 |
| 20 | AIR COVER | 50-1405-01 | 2 |
| 21 | PILOT BUSH | 40-1471-07 | 1 |
| 22 | PILOT SHAFT | 40-1451-03 | 1 |
| 23 | PILOT BUSH O RING | 40-3161-51 | 4 |
| 24 | PILOT SHAFT O RING | 15-3176-56 | 4 |
| 25 | PILOT SHAFT LOCK O RING | 50-1002-01 | 2 |



AIR OPERATED DOUBLE DIAPHRAGM PUMPS



ISO 9001: 2008
ISO 14001: 2004

pricepumps.co.in

SECTION 2 – SPARE PART LIST (CONTINUED...)

2" ALUMINIUM PUMP

AOD 50/AAGP/NEO/NE/N

| SR NO. | DISCRIPTION | PART NO. | QTY |
|--------|---|------------|-----|
| 26 | PISTON BLOCK | 40-1501-20 | 1 |
| 27 | PISTON | 40-1521-69 | 1 |
| 28 | PISTON/CAP O RING BIG | 40-3201-51 | 2 |
| 29 | PISTON O RING SMALL | 40-3222-51 | 4 |
| 30 | PISTON RING BIG | 40-3241-68 | 1 |
| 31 | PISTON RING SMALL | 40-3246-68 | 4 |
| 32 | PISTON BLOCK CAP | 40-1571-20 | 1 |
| 33 | PISTON BLOCK COVER | 40-1561-20 | 1 |
| 34 | PISTON BLOCK GASKET | 40-3321-51 | 1 |
| 35 | PISTON BLOCK COVER GASKET | 40-3331-51 | 1 |
| 36 | EXHAUST | 40-1366-23 | 1 |
| 37 | AIR NIPPLE | 50-1371-07 | 1 |
| 38 | 3/8" X 90 MM HEX BOLTS SS (CHAMBER BOLTS) | 04-6024-03 | 4 |
| 39 | 3/8 X 19 X 6 MM MS WASHER (CHAMBER) | 04-6208-61 | 4 |
| 40 | 5/16" X 45 MM CARRIAGE BOLTS SS (SUC/DIS) | 04-6035-03 | 8 |
| 41 | 3/8" X 1 1/4" HEX BOLTS SS (AIR COVER) | 04-6016-03 | 8 |
| 42 | 3/8 X 20.7 X 1.5 MM SS WASHER (CHAMBER) | 04-6210-03 | 8 |
| 43 | 3/8 MS HEX NUT | 04-6304-61 | 8 |
| 44 | 1/4" X 4" ALLEN BOLTS MS (P B) | 04-6005-61 | 4 |
| 45 | P B SCREW MS | 04-6321-61 | 2 |
| 46 | 5/8 X 35 X 3 MM MS WASHER (H P) | 04-6217-61 | 2 |
| 47 | 3/8 X 3 MM SS WASHER (AIR COVER) | 04-6206-03 | 8 |



AIR OPERATED DOUBLE DIAPHRAGM PUMPS



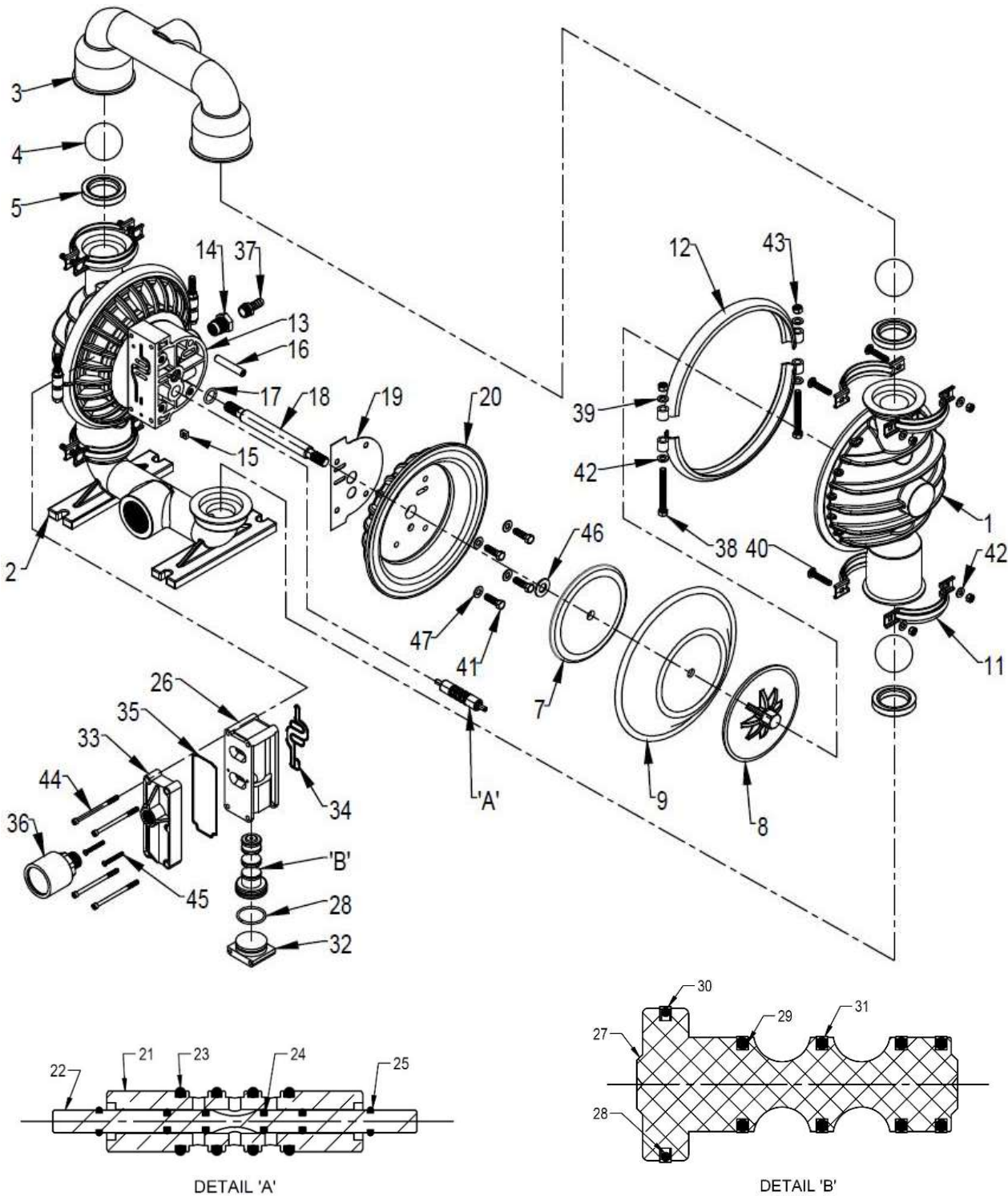
ISO 9001: 2008
ISO 14001: 2004

pricepumps.co.in

SECTION 3 – EXPLODED VIEW

2" ALUMINIUM PUMP

AOD 50/AAGP/NEO/NE/N





AIR OPERATED DOUBLE DIAPHRAGM PUMPS



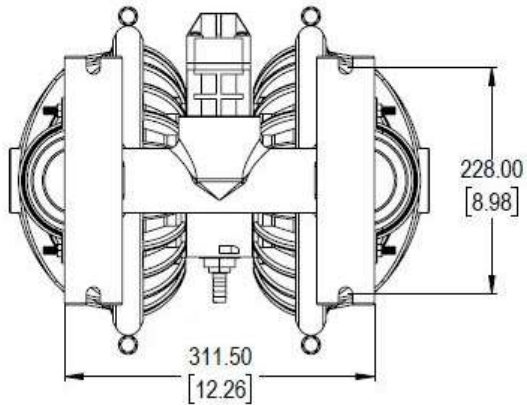
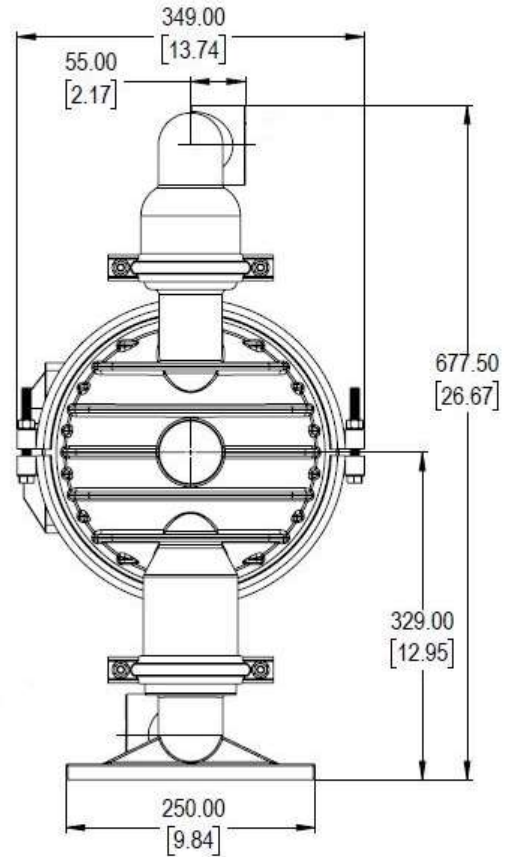
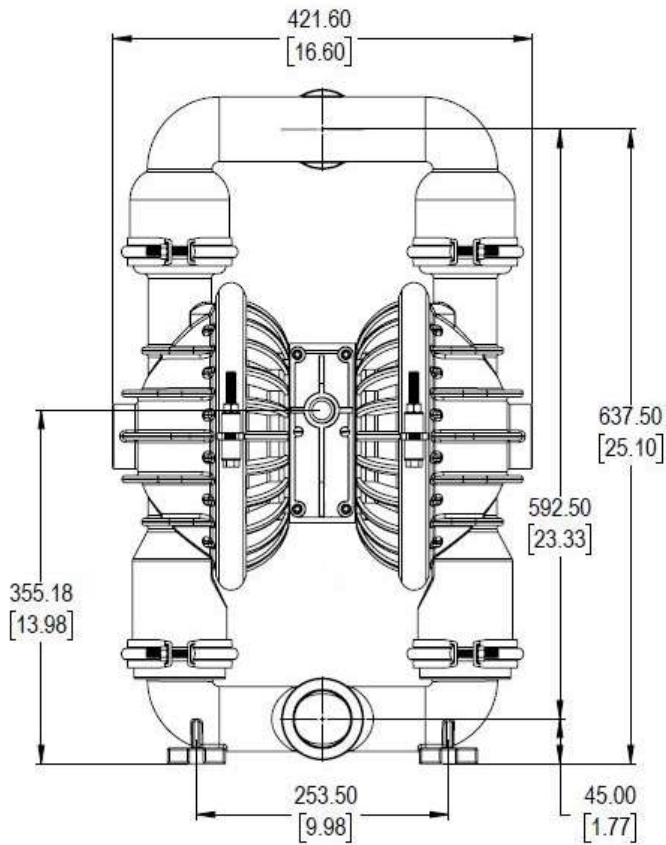
ISO 9001: 2008
ISO 14001: 2004

pricepumps.co.in

SECTION 4 – DIMENSIONAL DRAWING

2" ALUMINIUM PUMP

AOD 50/AAGP/NEO/NE/N





AIR OPERATED DOUBLE DIAPHRAGM PUMPS



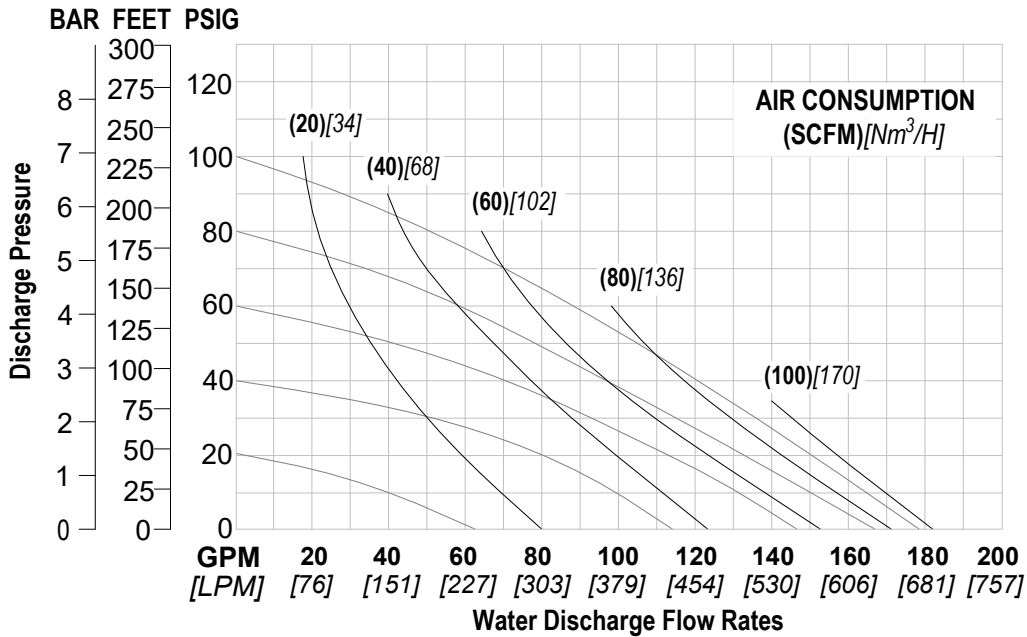
ISO 9001: 2008
ISO 14001: 2004

pricepumps.co.in

SECTION 5 – SPECIFICATION & PERFORMANCE

2" ALUMINIUM PUMP

AOD 50/AAGP/NEO/NE/N



SPECIFICATIONS:

MAX FLOW RATE: 681 Lpm (180 gpm)
 MAX AIR PRESSURE: 105 PSI (7 Bar)
 AIR INLET: 13 mm (1/2" BSP)
 PORT INLET: 51 mm (2" BSP)
 DISCHARGE: 51 mm (2" BSP)
 SUCTION LIFT: DRY: 7.2 m (23.8')
 WET: 9.0 m (29.5')
 MAX PARTICLE SIZE: (Dia) 6.4 mm (1/4")
 AIR EXHAUST: (3/4" BSP)

SHIPPING DIMENSIONS:

HEIGHT: 740mm (29.13")
 WIDTH: 370mm (14.56")
 LENGTH: 440mm (17.32")
 WEIGHT: 32.5 Kgs

Price Pumps meet ISO 9001-2015, ISO 14001 & CE quality standards.



**AIR OPERATED
DOUBLE
DIAPHRAGM
PUMPS**



ISO 9001: 2008
ISO 14001: 2004

pricepumps.co.in

NOTES: