

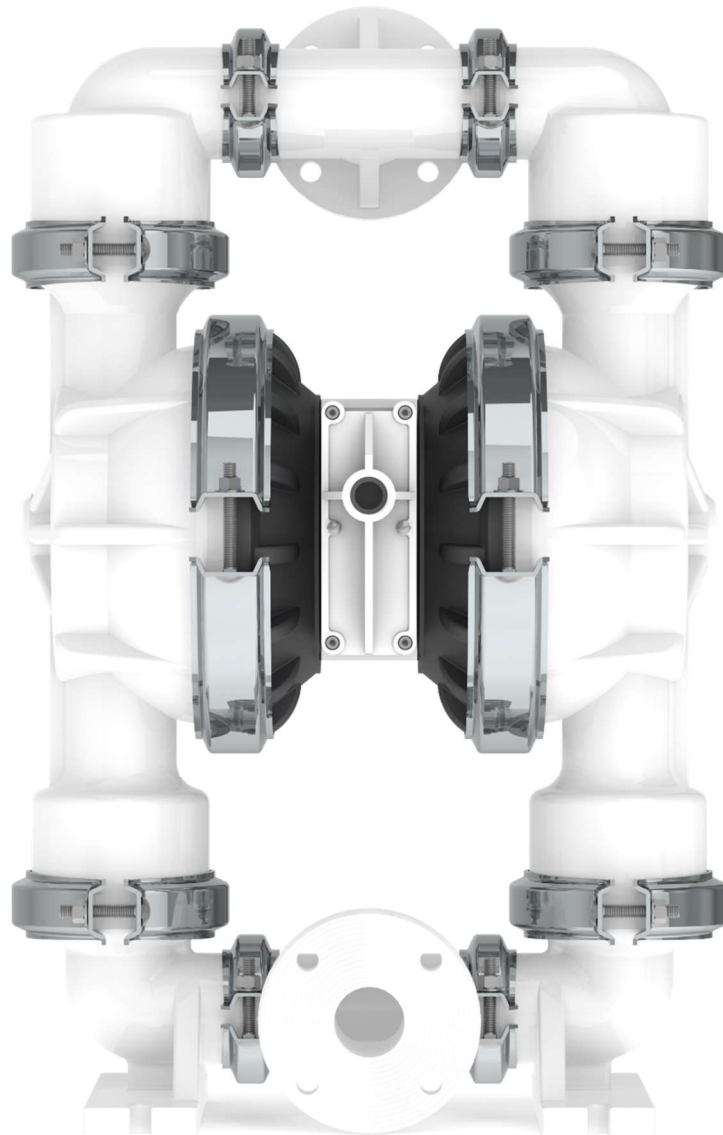


**AIR OPERATED  
DOUBLE  
DIAPHRAGM  
PUMPS**



ISO 9001: 2008  
ISO 14001: 2004

[pricepumps.co.in](http://pricepumps.co.in)



**2" POLYPROPYLENE PUMP  
AOD 50 PFF PPGP/HYT/TF/P/N**

[pricepumps.co.in](http://pricepumps.co.in)



# AIR OPERATED DOUBLE DIAPHRAGM PUMPS



ISO 9001: 2008  
ISO 14001: 2004

[pricepumps.co.in](http://pricepumps.co.in)

## SECTION 1- LEGEND

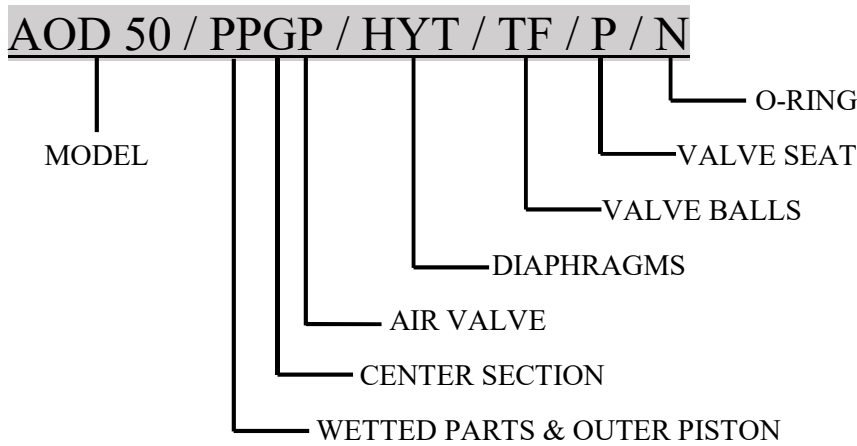
2" POLYPROPYLENE PUMP

AOD 50/PPGP/HYT/TF/P/N

### MODEL: AOD 50 PFF POLYPROPYLENE

51 mm (2") Pump

Maximum Flow Rate: 620 Lpm (164 gpm)



### MATERIAL CODES

MODEL  
AOD 50 = 2" PUMP

AIR VALVE  
P = POLYPROPYLENE

VALVE BALL  
TF = TEFLON

WETTED PARTS & OUTER PISTON  
PP = POLYPROPYLENE/  
POLYPROPYLENE

DIAPHRAGMS  
HYT = HYTREL

VALVE SEAT  
P = POLYPROPYLENE

CENTER SECTION  
G = GLASS FILLED  
POLYPROPYLENE

VALVE SEAT O-RING  
N = NEOPRENE



# AIR OPERATED DOUBLE DIAPHRAGM PUMPS



ISO 9001: 2008  
ISO 14001: 2004

[pricepumps.co.in](http://pricepumps.co.in)

## SECTION 2 – SPARE PART LIST

2” POLYPROPYLENE PUMP

AOD 50/PPGP/HYT/TF/P/N

SR No.	DISCRIPTION	PART No	QTY
1	LIQUID CHAMBER	50-1003-20	2
2	SUCTION BEND	50-2141-20	2
3	DISCHARGE BEND	50-2151-20	2
4	SUCTION DISCHARGE TEE	50-1201-20	2
5	TEE O RING	50-3146-51	4
6	SEAT O RING	50-3121-51	4
7	NRV BALL	50-1041-55	4
8	BALL SEAT	50-1062-20	4
9	BALL CAGE	50-1092-20	4
10	TEE CLAMP	50-1211-61	8
11	CHAMBER CLAMP	50-1232-61	4
12	SUCTION DISCHARGE CLAMP	50-1221-61	8
13	HOLDING PLATE	50-1112-01	2
14	LOCK NUT	50-1133-20	2
15	DIAPHRAGM	50-2052-56	2
16	BACK UP DIAPHRAGM	N/A	-
17	CENTER BLOCK	40-1301-23	1
18	REDUCER	40-1376-21	1
19	CENTER BLOCK	40-1319-03	4
20	CENTER BLOCK	40-1318-03	4
21	CENTER BLOCK O RING	40-3155-56	4
22	MAIN SHAFT	50-1341-03	1
23	AIR COVER	50-1407-23	2
24	AIR COVER GASKET	40-3311-51	2
25	PILOT BUSH	40-1471-07	1
26	PILOT SHAFT	40-1451-03	1
27	PILOT BUSH O RING	40-3161-51	4
28	PILOT SHAFT O RING	15-3176-56	4
29	PILOT SHAFT LOCK O RING	40-3181-51	2



# AIR OPERATED DOUBLE DIAPHRAGM PUMPS



ISO 9001: 2008  
ISO 14001: 2004

[pricepumps.co.in](http://pricepumps.co.in)

## SECTION 2 – SPARE PART LIST (CONTINUED...)

2" POLYPROPYLENE PUMP

AOD 50/PPGP/HYT/TF/P/N

SR No.	DISCRIPTION	PART No	QTY
30	PISTON BLOCK	40-1501-20	1
31	PISTON	40-1521-69	1
32	PISTON/CAP O RING BIG	40-3201-51	2
33	PISTON O RING SMALL	40-3222-51	4
34	PISTON RING BIG	40-3241-68	1
35	PISTON RING SMALL	40-3246-68	4
36	PISTON BLOCK CAP	40-1571-20	1
37	PISTON BLOCK COVER	40-1561-20	1
38	PISTON BLOCK GASKET	40-3321-51	1
39	PISTON BLOCK COVER GASKET	40-3331-51	1
40	EXHAUST	40-1366-23	1
41	AIR NIPPLE	40-1371-07	1
42	3/8" X 80 MM CARRIAGE BOLTS SS (CHAMBER BOLTS)	04-6023-03	4
43	3/8" X 60 MM CARRIAGE BOLTS SS (SUC/DIS)	04-6022-03	16
44	3/8" X 1 1/4" HEX BOLTS SS (AIR COVER)	04-6016-03	8
45	3/8 X 20.7 X 1.5 MM SS WASHER (CHAMBER)	04-6210-03	20
46	1/4" X 4" ALLEN BOLTS MS (P B)	04-6005-61	4
47	3/8 X 20 X 3 MM SS WASHER (AIR COVER)	04-6209-03	8
48	3/8 MS HEX NUT	04-6304-61	20
49	P B SCREW MS	04-6321-61	2



# AIR OPERATED DOUBLE DIAPHRAGM PUMPS



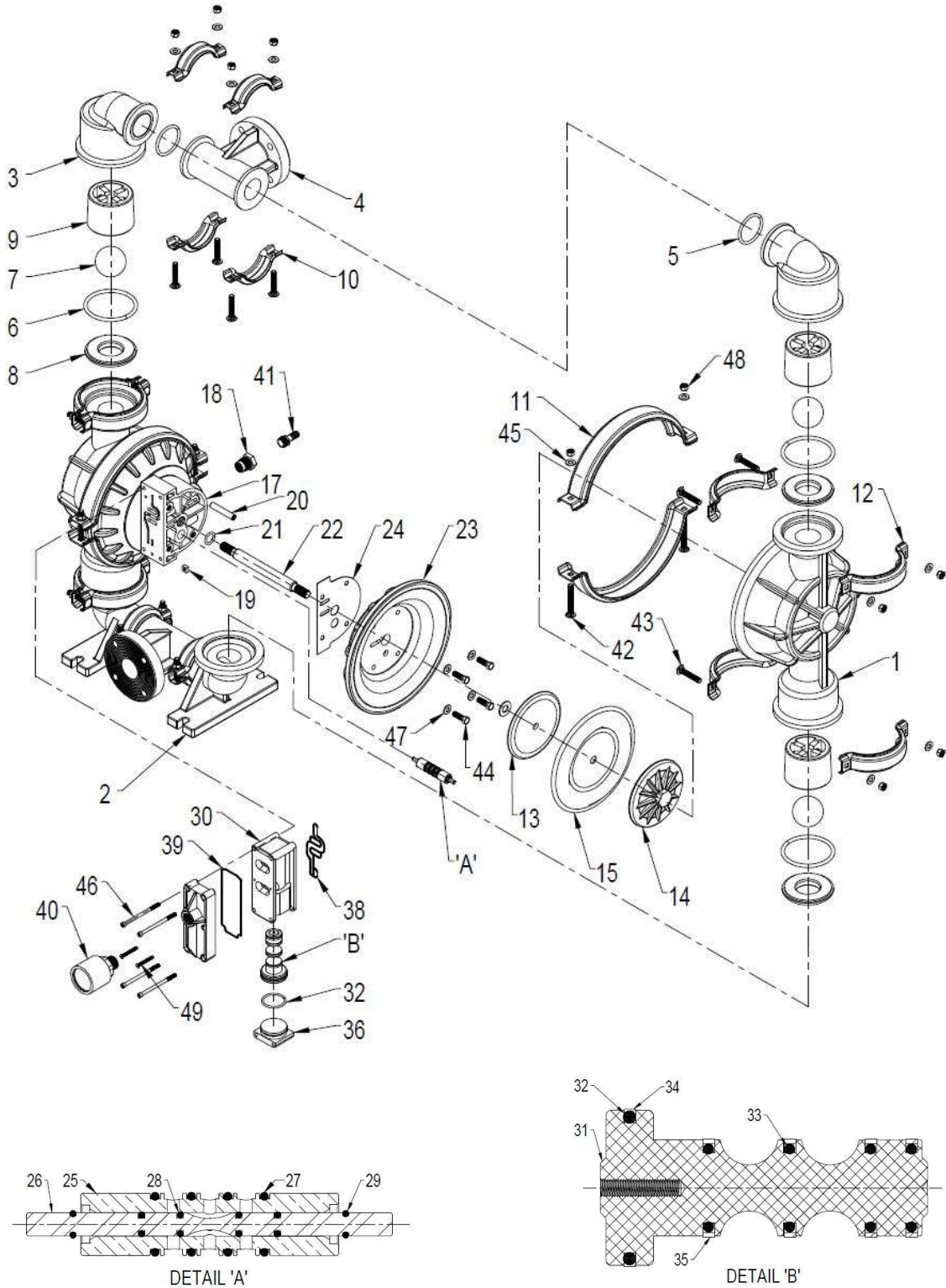
ISO 9001: 2008  
ISO 14001: 2004

pricepumps.co.in

## SECTION 3 – EXPLODED VIEW

2" POLYPROPYLENE PUMP

AOD 50/PPGP/HYT/TF/P/N





# AIR OPERATED DOUBLE DIAPHRAGM PUMPS



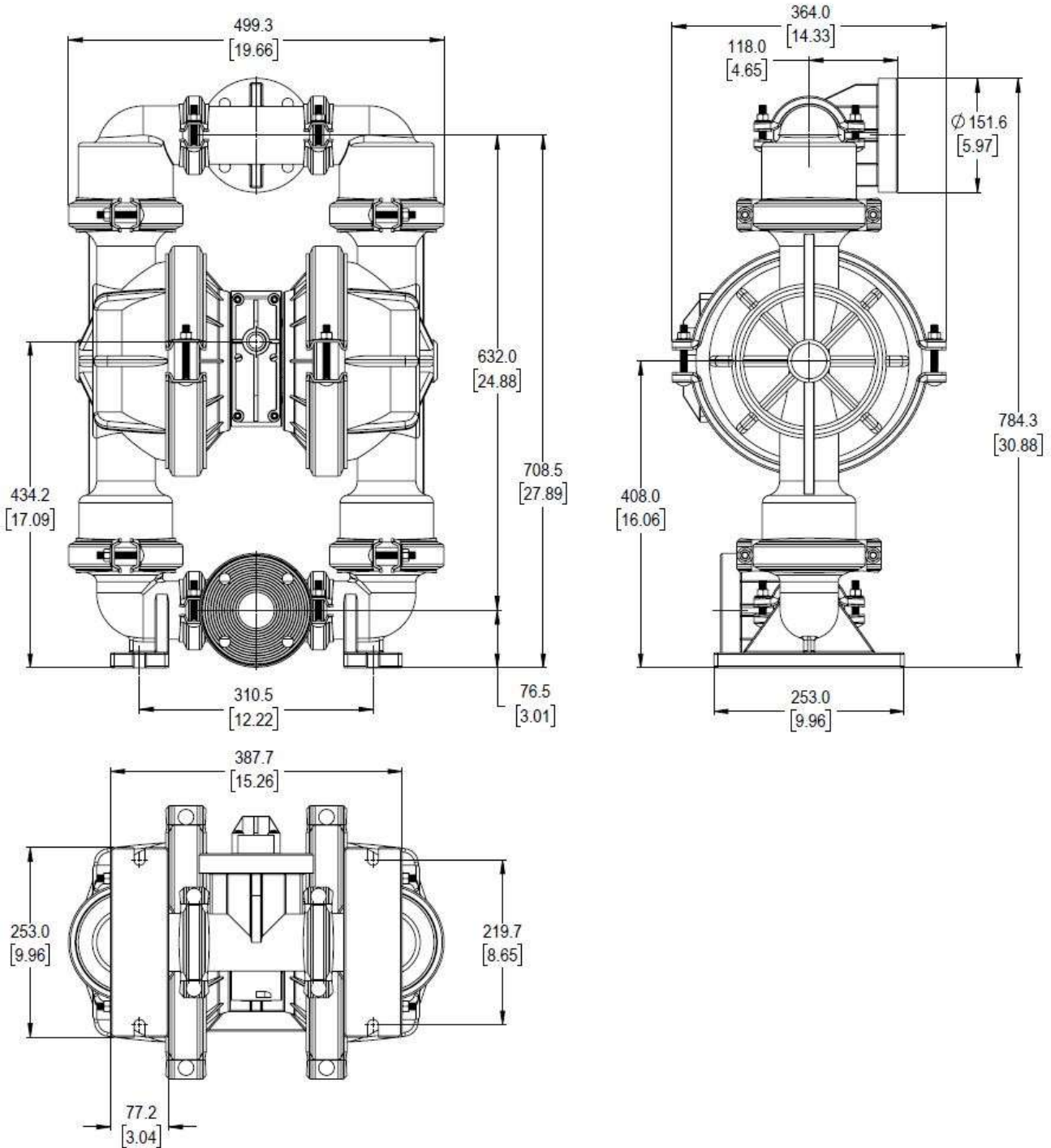
ISO 9001: 2008  
ISO 14001: 2004

[pricepumps.co.in](http://pricepumps.co.in)

## SECTION 4 – DIMENSIONAL DRAWING

2" POLYPROPYLENE PUMP

AOD 50/PPGP/HYT/TF/P/N





# AIR OPERATED DOUBLE DIAPHRAGM PUMPS



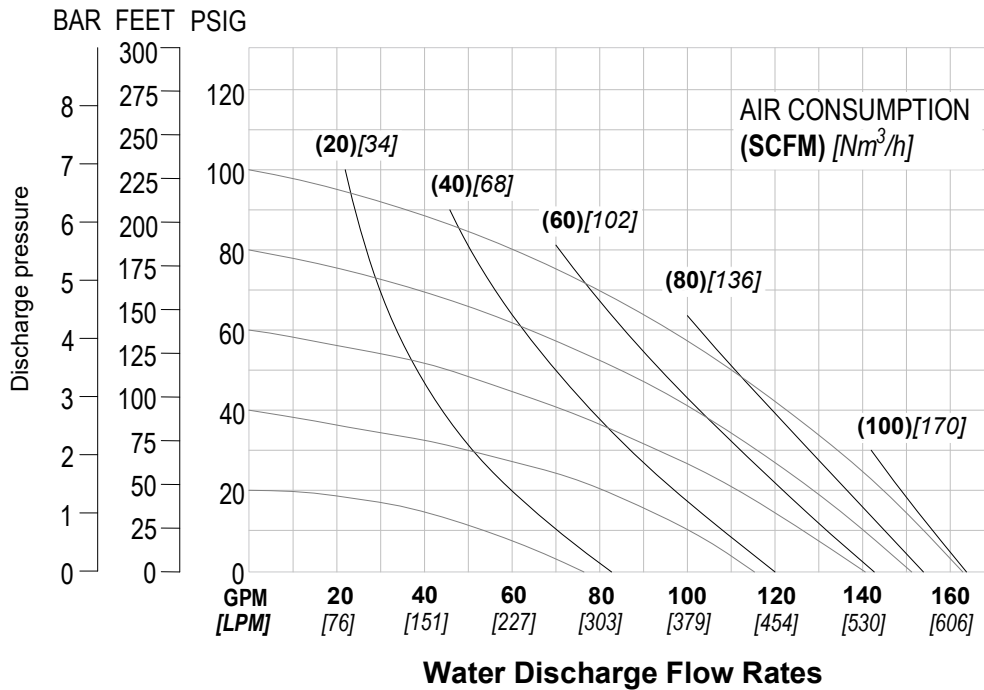
ISO 9001: 2008  
ISO 14001: 2004

pricepumps.co.in

## SECTION 5 – SPECIFICATION & PERFORMANCE

2" POLYPROPYLENE PUMP

AOD 50/PPGP/HYT/TF/P/N



### SPECIFICATIONS:

MAX FLOW RATE: 620 Lpm (164 gpm)  
 MAX AIR PRESSURE: 7 Kgs  
 AIR INLET: 13 mm (1/2" BSP)  
 PORT INLET: 51 mm (2" BSP)  
 DISCHARGE: 51 mm (2" BSP)  
 SUCTION LIFT: DRY: 6.6 m (21.8')  
 WET: 8.3 m (27.2')  
 MAX PARTICLE SIZE: (Dia) 6.4 mm (1/4")  
 AIR EXHAUST: (3/4" BSP)

### SHIPPING DIMENSIONS:

HEIGHT: 830 mm (32.68")  
 WIDTH: 450 mm (17.72")  
 LENGTH: 540 mm (21.26")  
 WEIGHT: 37.3 Kgs

Price Pumps meet ISO 9001-2015, ISO 14001 & CE quality standards.



**AIR OPERATED  
DOUBLE  
DIAPHRAGM  
PUMPS**



ISO 9001: 2008  
ISO 14001: 2004

[pricepumps.co.in](http://pricepumps.co.in)

**NOTES:**