

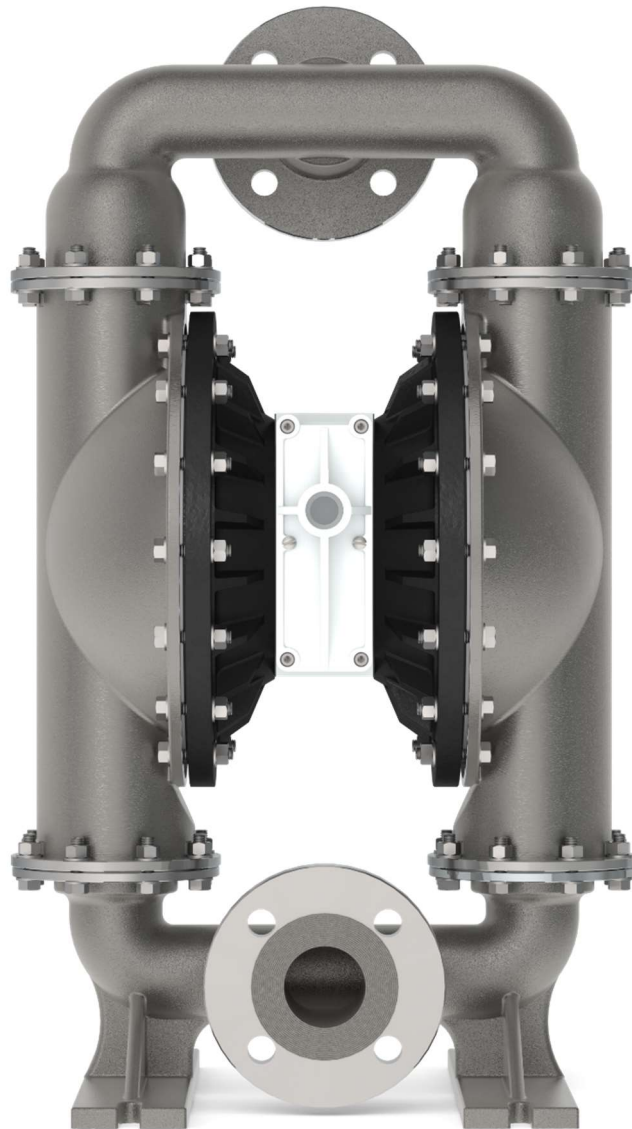


**AIR OPERATED  
DOUBLE  
DIAPHRAGM  
PUMPS**



ISO 9001: 2008  
ISO 14001: 2004

[pricepumps.co.in](http://pricepumps.co.in)



**2" STAINLESS STEEL 316 PUMP  
AOD 500 PFF SSGP/TEF/TF/S**

[pricepumps.co.in](http://pricepumps.co.in)



# AIR OPERATED DOUBLE DIAPHRAGM PUMPS



ISO 9001: 2008  
ISO 14001: 2004

[pricepumps.co.in](http://pricepumps.co.in)

## SECTION 1- LEGEND

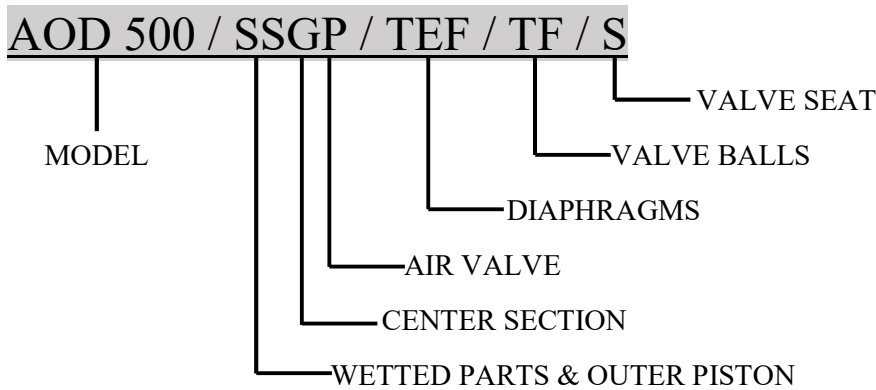
2" STAINLESS STEEL 316 PUMP

AOD 500/SSGP/TEF/TF/S

### MODEL: AOD 500 PFF STAINLESS STEEL 316

51 mm (2") Pump

Maximum Flow Rate: 662 Lpm (175 gpm)



### MATERIAL CODES

MODEL  
AOD 500 = 2" PUMP

AIR VALVE  
P = POLYPROPYLENE

VALVE BALL  
TF = TEFLON

WETTED PARTS & OUTER PISTON  
SS = STAINLESS STEEL/  
STAINLESS STEEL

DIAPHRAGMS  
TEF = TEFLON

VALVE SEAT  
S = STAINLESS STEEL

CENTER SECTION  
G = GLASS FILLED  
POLYPROPYLENE



# AIR OPERATED DOUBLE DIAPHRAGM PUMPS



ISO 9001: 2008  
ISO 14001: 2004

[pricepumps.co.in](http://pricepumps.co.in)

## SECTION 2 – SPARE PART LIST

2” STAINLESS STEEL 316 PUMP

AOD 500/SSGP/TEF/TF/S

SR No.	DISCRIPTION	PART No	QTY
1	LIQUID CHAMBER	50-1001-03	2
2	SUCTION MANIFOLD	50-1021-03	1
3	DISCHARGE MANIFOLD	50-1031-03	1
4	NRV BALL	50-1041-55	4
5	BALL SEAT	50-1075-03	4
6	SEAT ENVELOP GASKET	50-3301-55	4
7	HOLDING PLATE	50-1112-01	2
8	LOCK NUT	50-1132-03	2
9	DIAPHRAGM	50-2002-55	2
10	BACK UP DIAPHRAGM	50-2101-58	2
11	CENTER BLOCK	40-1301-23	1
12	REDUCER	40-1376-21	1
13	CENTER BLOCK PATTI	40-1319-03	4
14	CENTER BLOCK	40-1318-03	4
15	CENTER BLOCK O RING	40-3155-56	4
16	MAIN SHAFT	50-1342-03	1
17	AIR COVER GASKET	40-3311-51	2
18	AIR COVER	50-1404-01	2
19	PILOT BUSH	40-1471-07	1
20	PILOT SHAFT	40-1451-03	1
21	PILOT BUSH O RING	40-3161-51	4
22	PILOT SHAFT O RING	15-3176-56	4
23	PILOT SHAFT LOCK O RING	40-3181-51	2



# AIR OPERATED DOUBLE DIAPHRAGM PUMPS



ISO 9001: 2008  
ISO 14001: 2004

[pricepumps.co.in](http://pricepumps.co.in)

## SECTION 2 – SPARE PART LIST (CONTINUED...)

2” STAINLESS STEEL 316 PUMP

AOD 500/SSGP/TEF/TF/S

SR NO.	DISCRIPTION	PART NO.	QTY
24	PISTON BLOCK	40-1501-20	1
25	PISTON	40-1521-69	1
26	PISTON/CAP O RING BIG	40-3201-51	2
27	PISTON O RING SMALL	40-3222-51	4
28	PISTON RING BIG	40-3241-68	1
29	PISTON RING SMALL	40-3246-68	4
30	P B CAP	40-1571-20	1
31	PISTON BLOCK COVER	40-1561-20	1
32	P B GASKET	40-3321-51	1
33	P B COVER GASKET	40-3331-51	1
34	EXHAUST	40-1366-23	1
35	AIR NIPPLE	50-1371-07	1
36	3/8" X 1 3/4" HEX BOLTS SS (CHAMBER BOLT)	04-6018-03	28
37	3/8" X 1 1/4" HEX BOLTS SS (SUC/DIS)	04-6016-03	28
38	3/8" X 3/4" HEX BOLTS SS (SUC/DIS)	04-6014-03	4
39	3/8" X 1 1/4" HEX BOLTS SS (AIR COVER)	04-6016-03	8
40	3/8 X 20.7 X 1.5 MM SS WASHER (CHAMBER)	04-6210-03	120
41	3/8 MS HEX NUT	04-6304-61	60
42	1/4" X 4" ALLEN BOLTS MS (P B)	04-6005-61	4
43	P B SCREW MS	04-6321-61	2
44	5/8 X 35 X 3 MM MS WASHER (H P)	04-6217-61	2
45	3/8 X 3 MM SS WASHER (AIR COVER)	04-6206-03	8



# AIR OPERATED DOUBLE DIAPHRAGM PUMPS



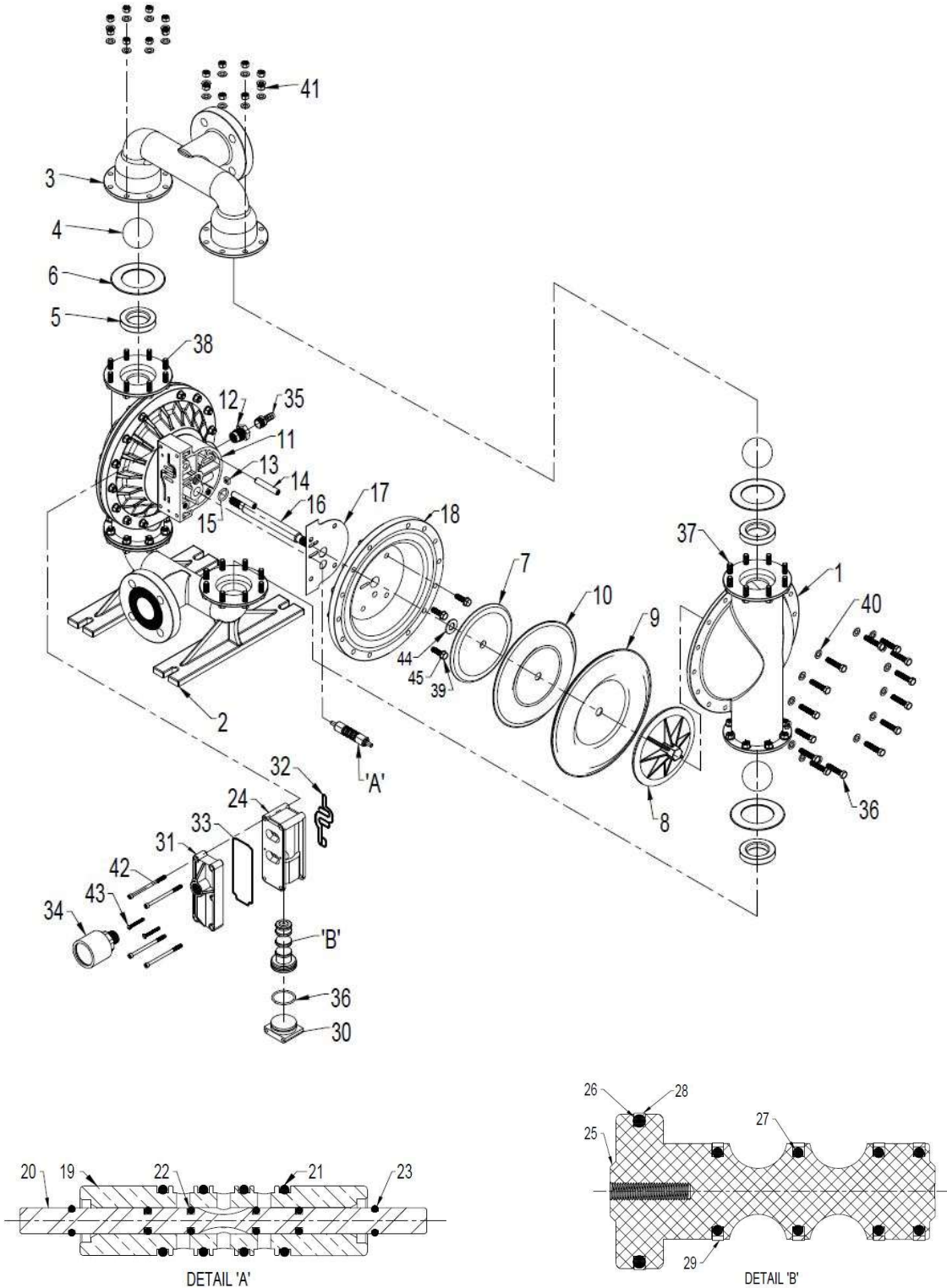
ISO 9001: 2008  
ISO 14001: 2004

[pricepumps.co.in](http://pricepumps.co.in)

## SECTION 3 – EXPLODED VIEW

2" STAINLESS STEEL 316 PUMP

AOD 500/SSGP/TEF/TF/S





# AIR OPERATED DOUBLE DIAPHRAGM PUMPS



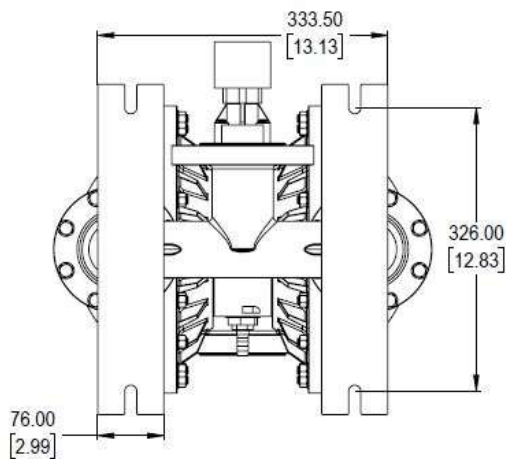
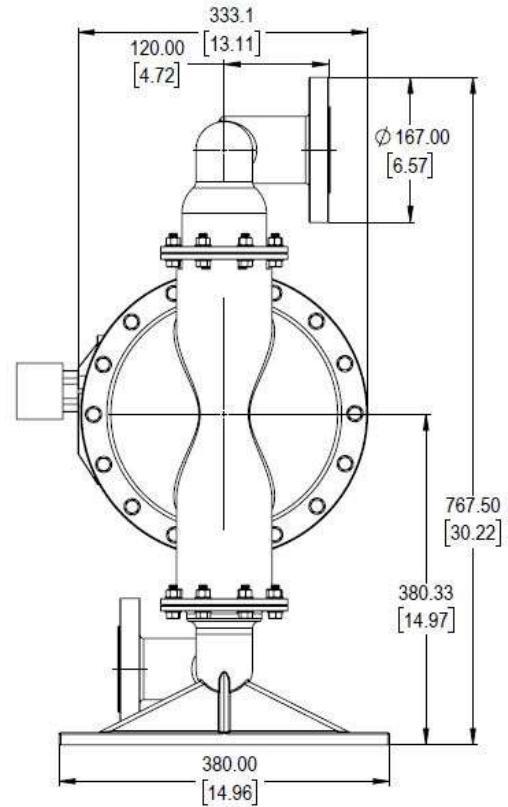
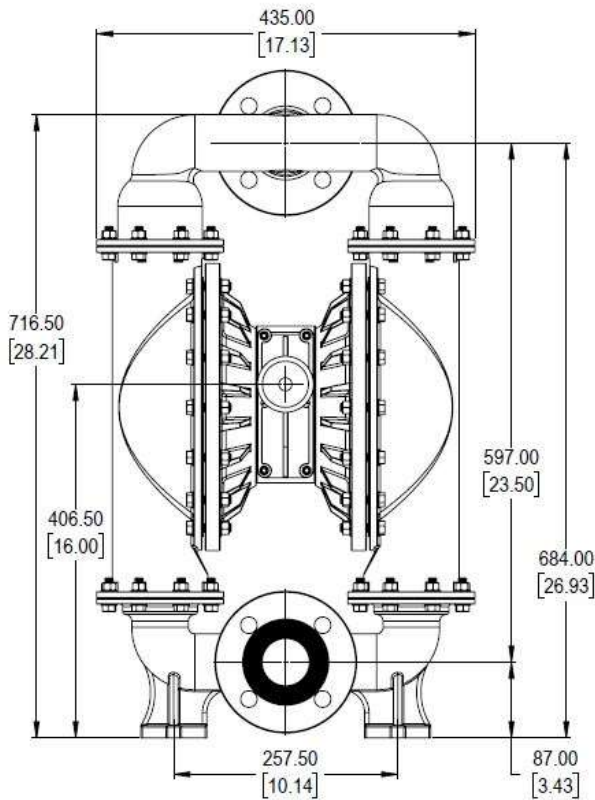
ISO 9001: 2008  
ISO 14001: 2004

[pricepumps.co.in](http://pricepumps.co.in)

## SECTION 4 – DIMENSIONAL DRAWING

2" STAINLESS STEEL 316 PUMP

AOD 500/SSGP/TEF/TF/S





# AIR OPERATED DOUBLE DIAPHRAGM PUMPS



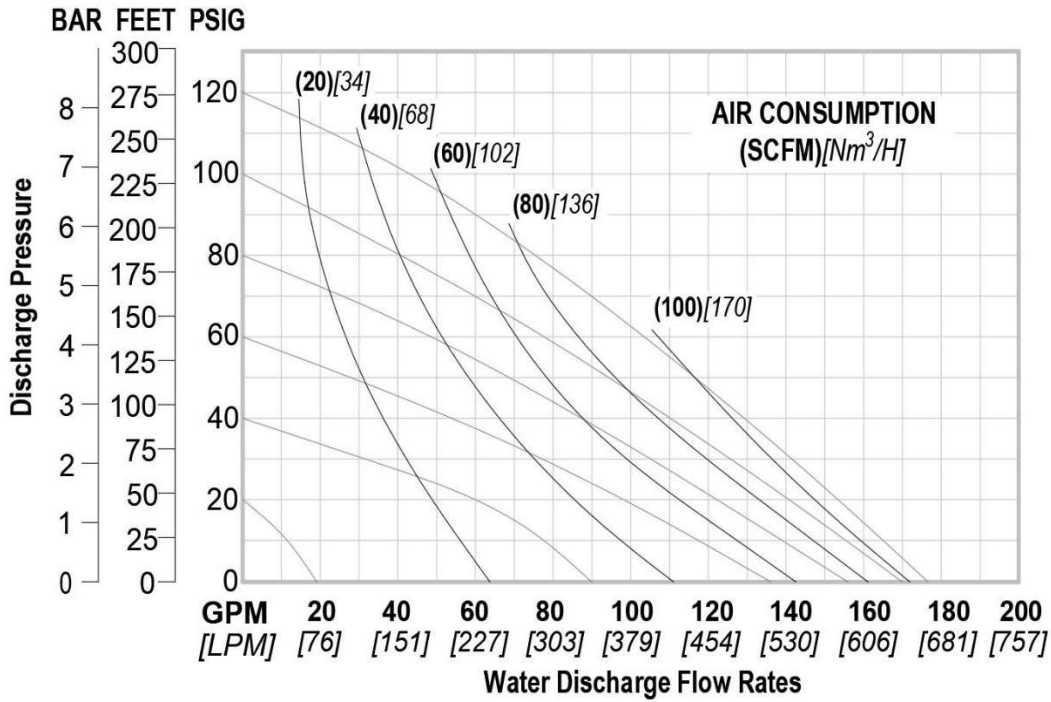
ISO 9001: 2008  
ISO 14001: 2004

pricepumps.co.in

## SECTION 5 – SPECIFICATION & PERFORMANCE

2" STAINLESS STEEL 316 PUMP

AOD 500/SSGP/TEF/TF/S



### SPECIFICATIONS:

MAX FLOW RATE:	662 Lpm (175 gpm)
MAX AIR PRESSURE:	120 psi (8.3 bar)
AIR INLET:	13 mm (1/2" BSP)
PORT INLET:	51 mm (2" BSP)
DISCHARGE:	51 mm (2" BSP)
SUCTION LIFT: DRY:	6.4 m (21.0')
WET:	8.6 m (28.4')
MAX PARTICLE SIZE:	(Dia) 6.4 mm (1/4")
AIR EXHAUST:	(3/4" BSP)

### SHIPPING DIMENSIONS:

HEIGHT:	540 mm (21.26")
WIDTH:	590 mm (23.22")
LENGTH:	920 mm (36.22")
WEIGHT:	109 Kgs

Price Pumps meet ISO 9001-2015, ISO 14001 & CE quality standards.



**AIR OPERATED  
DOUBLE  
DIAPHRAGM  
PUMPS**



ISO 9001: 2008  
ISO 14001: 2004

[pricepumps.co.in](http://pricepumps.co.in)

**NOTES:**