

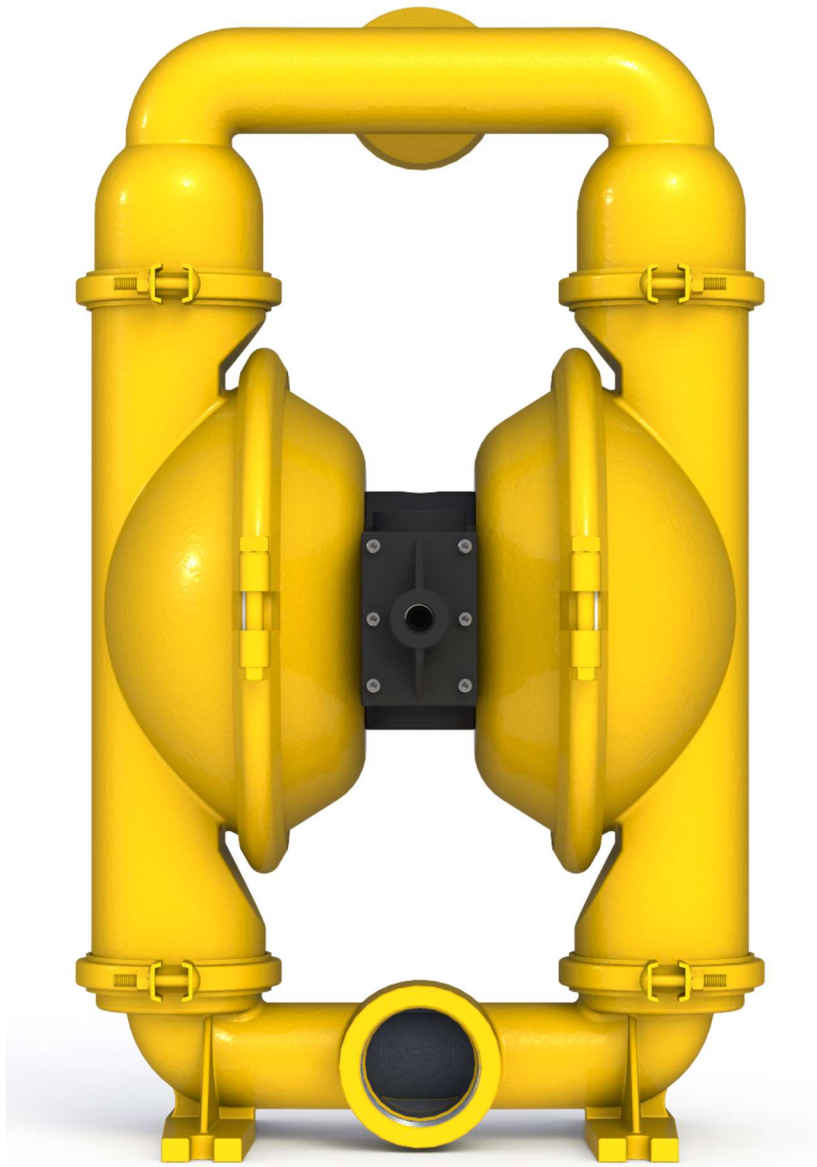


**AIR OPERATED
DOUBLE
DIAPHRAGM
PUMPS**



ISO 9001: 2008
ISO 14001: 2004

pricepumps.co.in



**3" CAST IRON PUMP
AOD 80 NSV WNGG/HYT/NE/N**

pricepumps.co.in



AIR OPERATED DOUBLE DIAPHRAGM PUMPS



ISO 9001: 2008
ISO 14001: 2004

pricepumps.co.in

SECTION 1- LEGEND

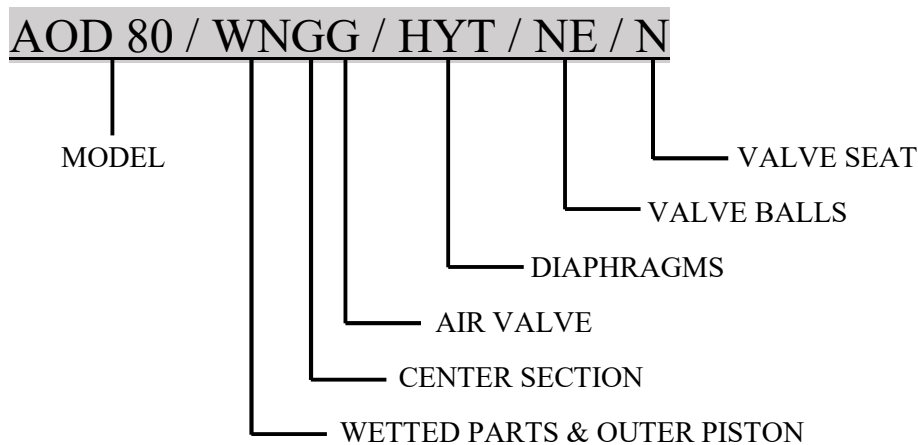
3" CAST IRON PUMP

AOD 80/WNGG/HYT/NE/N

MODEL: AOD 80 NSV CAST IRON

76mm (3") Pump

Maximum Flow Rate: 900 Lpm (238 gpm)



MATERIAL CODES

MODEL
AOD 80 = 3" PUMP

AIR VALVE
G = GLASS FILLED
POLYPROPYLENE

VALVE BALL
NE = NEOPRENE

WETTED PARTS & OUTER PISTON
WN = CAST IRON /
NYLON

DIAPHRAGMS
HYT = HYTREL

VALVE SEAT
N = NEOPRENE

CENTER SECTION
G = GLASS FILLED
POLYPROPYLENE



AIR OPERATED DOUBLE DIAPHRAGM PUMPS



ISO 9001: 2008
ISO 14001: 2004

pricepumps.co.in

SECTION 2 – SPARE PART LIST

3” CAST IRON PUMP

AOD 80/WNGG/HYT/NE/N

SR No.	DISCRIPTION	PART No	QTY
1	LIQUID CHAMBER	T15-1001-02	2
2	INLET HOUSING FOOTED BASE	T15-0002-02	1
3	DISCHARGE MANIFOLD	T15-0003-02	1
4	VALVE BALL	80-1046-51	4
5	VALVE SEAT	80-1081-51	4
6	INNER PISTON (HOLDING PLATE)	T15-0005-24	2
7	OUTER PISTON (LOCK NUT)	T15-0006-24	2
8	DIAPHRAGM	T15-2051-56	2
9	SMALL CLAMP BAND ASSEMBLY	80-1222-61	8
10	LARGE CLAMP BAND ASSEMBLY	80-1231-61	4
11	CENTER BLOCK	80-1303-23	1
12	CENTER BLOCK O RING	80-3155-56	4
13	CENTER BLOCK PIPE	80-1319-03	5
14	MAIN SHAFT	80-1341-03	1
15	AIR COVER GASKET	80-3313-51	2
16	AIR CHAMBER	T15-0013-02	2
17	PILOT SHAFT	80-1453-03	1
18	PILOT DRILL BUSH	80-1493-07	5
19	PILOT SHAFT O RING	80-3176-56	6
20	PILOT PLANE BUSH	80-1491-07	2
21	PISTON BLOCK	80-1501-23	1
22	PISTON BLOCK BUSH	80-1541-07	1
23	PISTON BLOCK CAP O RING	30-3146-51	2



AIR OPERATED DOUBLE DIAPHRAGM PUMPS



ISO 9001: 2008
ISO 14001: 2004

pricepumps.co.in

SECTION 2 – SPARE PART LIST (CONTINUED...)

3" CAST IRON PUMP

AOD 80/WNGG/HYT/NE/N

SR No.	DISCRIPTION	PART No	QTY
24	PISTON	80-1525-01	1
25	PISTON O RING	80-3205-51	3
26	PISTON RING	80-3201-68	3
27	PISTON BLOCK CAP	80-1575-63	2
28	PISTON BLOCK CAP CIRCLIP	80-1581-61	2
29	PISTON BLOCK COVER	80-1564-23	1
30	PISTON BLOCK GASKET	80-3324-51	1
31	PISTON BLOCK COVER GASKET	80-3334-51	1
32	EXHAUST	80-1366-23	1
33	AIR NIPPLE	50-1371-07	1
34	½" X 3½" HEX BOLTS SS UNC (CHAMBER)	04-6059-03	4
35	½ SS HEX NUT UNC	04-6315-03	4
36	3/8" X 60 MM CARRIAGE BOLTS SS (SUC/DIS)	04-6022-03	8
37	3/8 X 20.7 X 1.5 MM SS WASHER (SUC/DIS)	04-6210-03	8
38	3/8 SS HEX NUT	04-6314-03	8
39	5/16" X 1" HEX BOLTS SS (AIR COVER)	04-6027-03	10
40	¼" X 110 MM ALLEN BOLTS SS (PISTON BLOCK)	04-6002-03	6
41	¼ X 12.5 X 1.2 MM SS WASHER (P B ALLEN BOLT)	04-6202-03	6
42	HOLDING PLATE WASHER 19 X 35 X 3 MM	04-6217-61	2
43	M 10 SS NYLOC NUT	04-6311-03	12
44	M10 X 50 MM MS HOLDING PLATE BOLTS	04-6041-61	12
45	3/8 X 24 X 3 MM SS WAHSER (HOLDING PLATE)	04-6211-03	24



AIR OPERATED DOUBLE DIAPHRAGM PUMPS



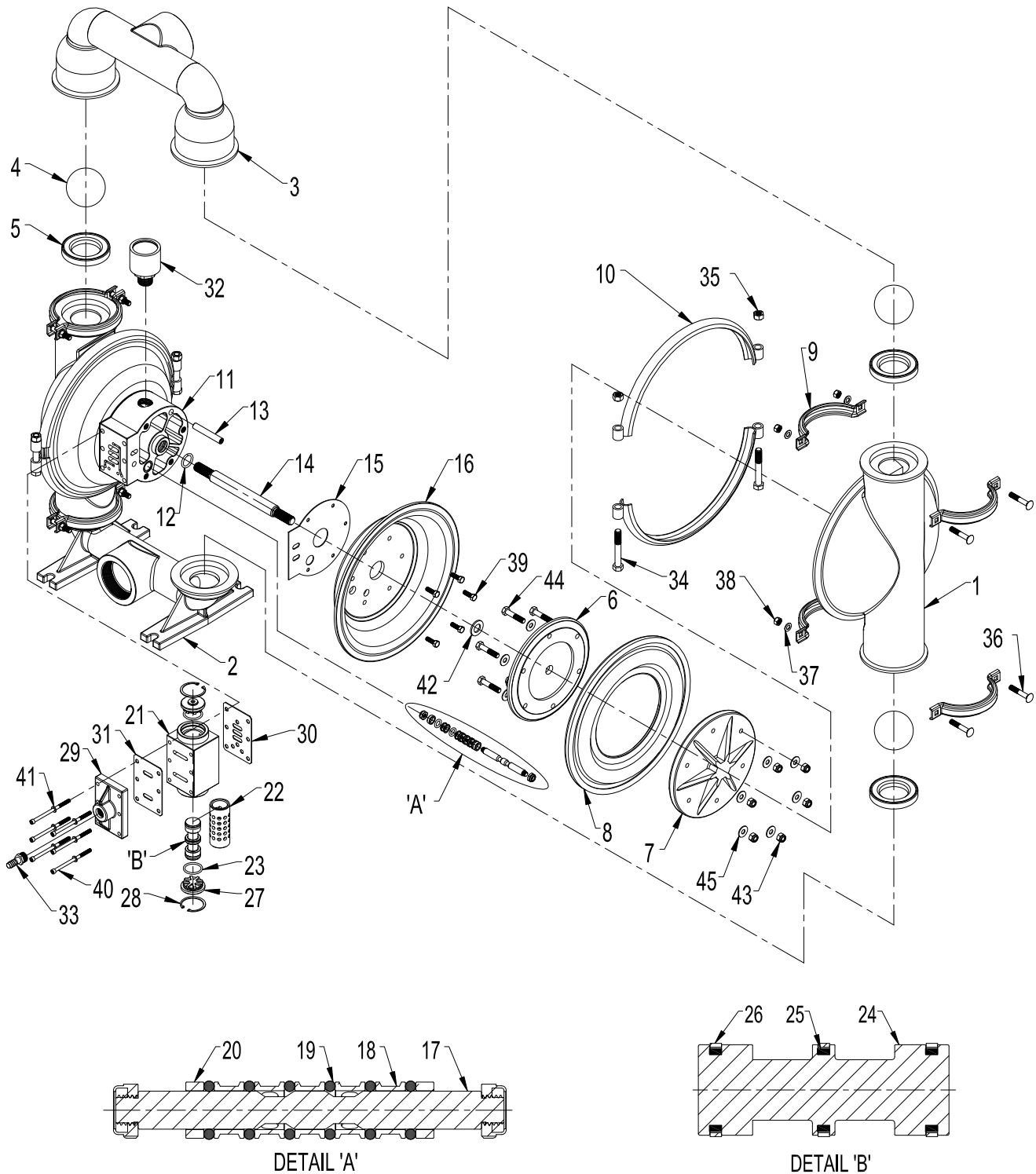
ISO 9001: 2008
ISO 14001: 2004

pricepumps.co.in

SECTION 3 – EXPLODED VIEW

3" CAST IRON PUMP

AOD 80/WNGG/HYT/NE/N





AIR OPERATED DOUBLE DIAPHRAGM PUMPS



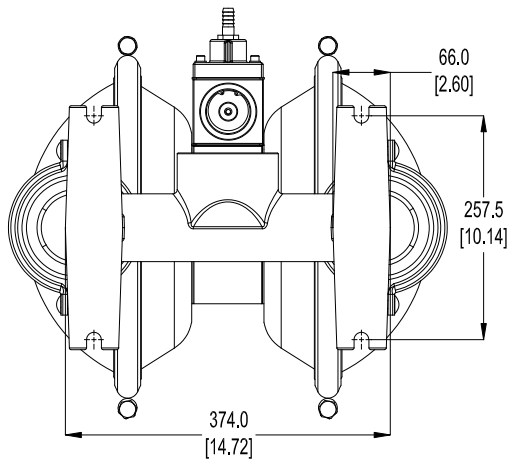
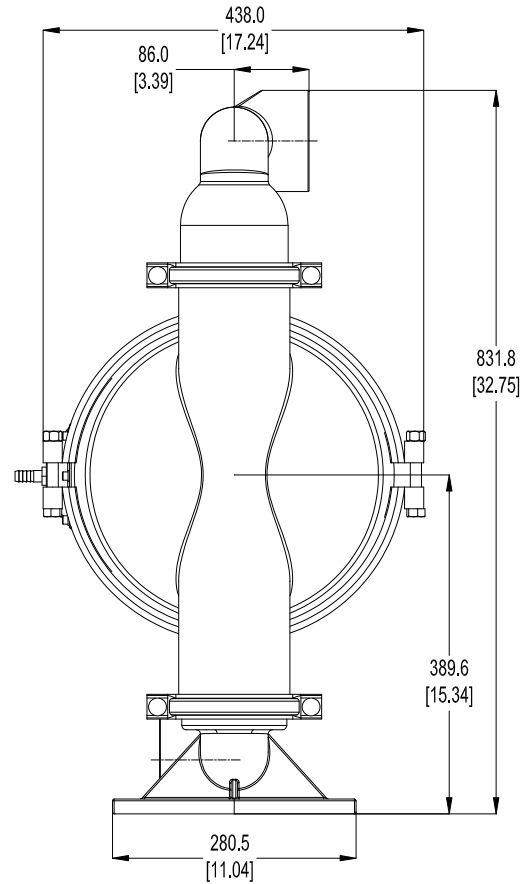
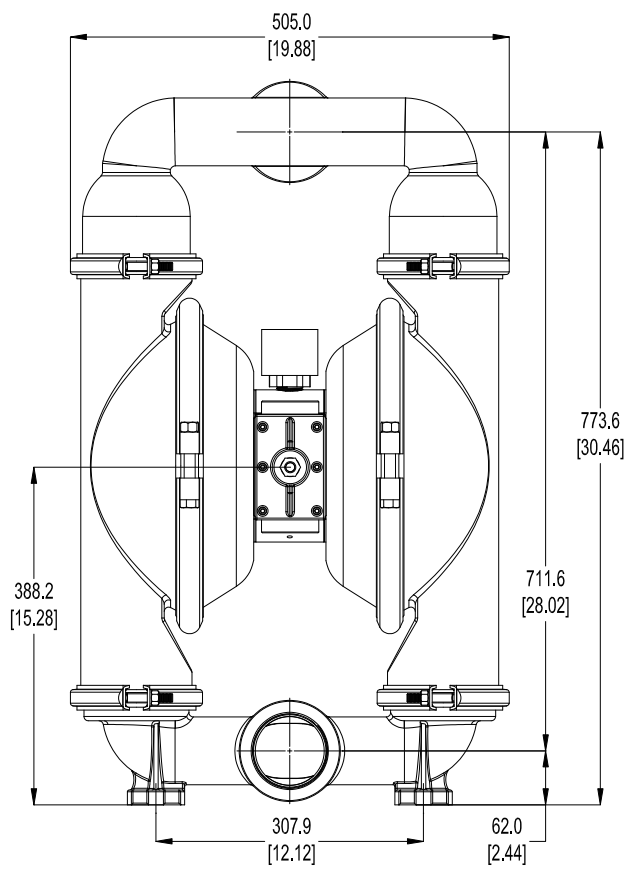
ISO 9001: 2008
ISO 14001: 2004

pricepumps.co.in

SECTION 4 – DIMENSIONAL DRAWING

3" CAST IRON PUMP

AOD 80/WNGG/HYT/NE/N





AIR OPERATED DOUBLE DIAPHRAGM PUMPS



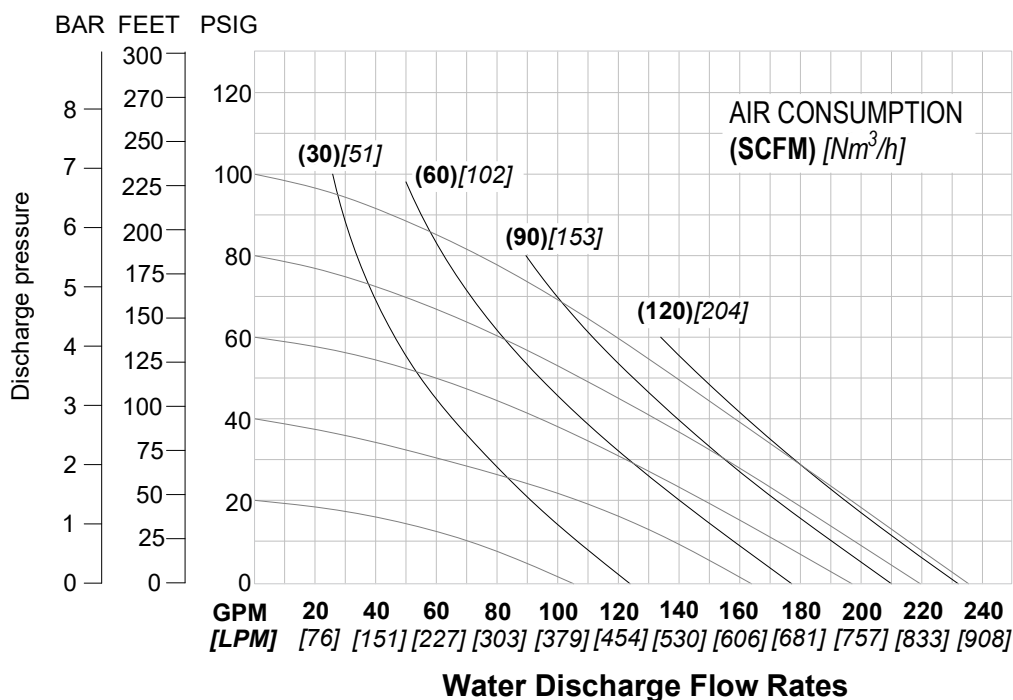
ISO 9001: 2008
ISO 14001: 2004

pricepumps.co.in

SECTION 5 – SPECIFICATION & PERFORMANCE

3" CAST IRON PUMP

AOD 80/WNGG/HYT/NE/N



SPECIFICATIONS:

MAX FLOW RATE: 900 Lpm (238 gpm)
 MAX AIR PRESSURE: 100 psi (6.9 bar)
 AIR INLET: 13 mm (1/2" BSP)
 PORT INLET: 76 mm (3" BSP)
 DISCHARGE: 76 mm (3" BSP)
 SUCTION LIFT : DRY : 6.6 m (21.6')
 WET : 8.6 m (28.4')
 MAX PARTICLE SIZE: (Dia) 9.5 mm (3/8")
 AIR EXHAUST: 25 mm (1" BSP)

SHIPPING DIMENSIONS:

HEIGHT: 640 mm (25.19")
 WIDTH: 650 mm (25.59")
 LENGTH: 960 mm (37.79")
 WEIGHT: 135 Kgs

Price Pumps meet ISO 9001-2015, ISO 14001 & CE quality standards.



**AIR OPERATED
DOUBLE
DIAPHRAGM
PUMPS**



ISO 9001: 2008
ISO 14001: 2004

pricepumps.co.in

NOTES: