



AIR OPERATED DOUBLE DIAPHRAGM PUMPS



ISO 9001: 2008
ISO 14001: 2004

pricepumps.co.in

SECTION 1- LEGEND

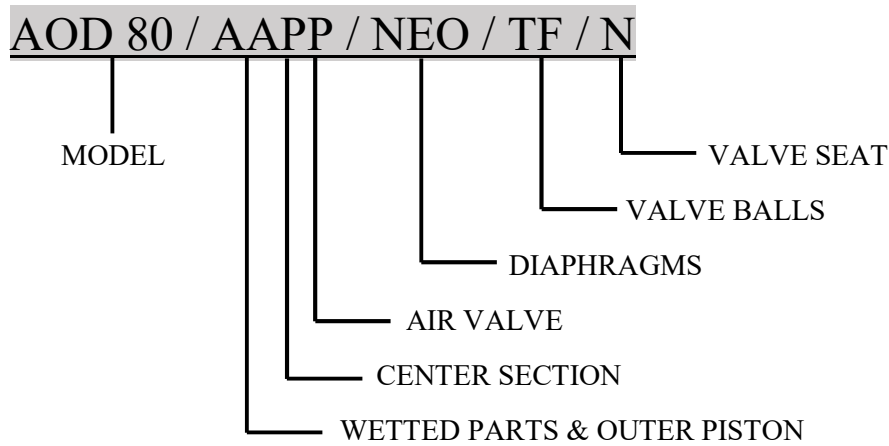
3" ALUMINIUM PUMP

AOD 80/AAPP/NEO/TF/N

MODEL: AOD 80 PF ALUMINIUM

76mm (3") Pump

Maximum Flow Rate: 900 Lpm (238 gpm)



MATERIAL CODES

MODEL
AOD 80 = 3" PUMP

AIR VALVE
P = POLYPROPYLENE

VALVE BALL
TF = TEFLON

WETTED PARTS & OUTER PISTON
AA = ALUMINIUM /
ALUMINIUM

DIAPHRAGMS
NEO = NEOPRENE

VALVE SEAT
N = NEOPRENE

CENTER SECTION
P = POLYPROPYLENE



AIR OPERATED DOUBLE DIAPHRAGM PUMPS



ISO 9001: 2008
ISO 14001: 2004

pricepumps.co.in

SECTION 2 – SPARE PART LIST

3” ALUMINIUM PUMP

AOD 80/AAPP/NEO/TF/N

| SR No. | DISCRIPTION | PART No | QTY |
|--------|-------------------------|------------|-----|
| 1 | LIQUID CHAMBER | 80-1001-01 | 2 |
| 2 | SUCTION MANIFOLD | 80-1021-01 | 1 |
| 3 | DISCHARGE MANIFOLD | 80-1031-01 | 1 |
| 4 | NRV BALL | 80-1041-55 | 4 |
| 5 | BALL SEAT | 80-1072-01 | 4 |
| 6 | SEAT O RING | 80-3101-51 | 4 |
| 7 | HOLDING PLATE | 80-1112-01 | 2 |
| 8 | LOCK NUT | 80-1131-01 | 2 |
| 9 | DIAPHRAGM | 80-2021-51 | 2 |
| 10 | BACKUP DIAPHRAGM | N/A | - |
| 11 | CHAMBER CLAMP | 80-1231-61 | 4 |
| 12 | SUCTION DISCHARGE CLAMP | 80-1222-61 | 8 |
| 13 | CENTER BLOCK | 80-1301-20 | 1 |
| 14 | CENTER BLOCK O RING | 80-3155-56 | 2 |
| 15 | CENTER BLOCK PIPE | 80-1320-03 | 4 |
| 16 | CENTER BLOCK PATTI | 80-1319-03 | 6 |
| 17 | MAIN SHAFT SS | 80-1343-03 | 1 |
| 18 | AIR COVER | 80-1405-01 | 2 |
| 19 | AIR COVER GASKET | 80-3311-51 | 2 |
| 20 | PILOT BUSH | 80-1471-07 | 1 |
| 21 | PILOT SHAFT | 80-1454-03 | 1 |
| 22 | PILOT SHAFT O RING | 80-3176-51 | 8 |
| 23 | PILOT SHAFT O RING | 80-3171-68 | 4 |
| 24 | PILOT LOCK O RING | 40-3166-51 | 2 |
| 25 | PILOT SHAFT WASHER | 04-6114-03 | 2 |
| 26 | PILOT BUSH O RING | 30-3151-51 | 4 |



AIR OPERATED DOUBLE DIAPHRAGM PUMPS



ISO 9001: 2008
ISO 14001: 2004

pricepumps.co.in

SECTION 2 – SPARE PART LIST (CONTINUED...)

3" ALUMINIUM PUMP

AOD 80/AAPP/NEO/TF/N

| SR No. | DISCRIPTION | PART No | QTY |
|--------|---|------------|-----|
| 27 | PISTON BLOCK | 80-1501-20 | 1 |
| 28 | PISTON | 80-1521-69 | 1 |
| 29 | PISTON O RING BIG | 80-3201-51 | 1 |
| 30 | PISTON O RING SMALL | 80-3224-51 | 7 |
| 31 | PISTON RING BIG | 80-3241-68 | 1 |
| 32 | PISTON RING SMALL | 80-3246-68 | 3 |
| 33 | PISTON RING MEDIUM | 80-3251-68 | 2 |
| 34 | PISTON BLOCK CAP | 80-1571-20 | 1 |
| 35 | PISTON BLOCK CAP O RING | 80-3266-51 | 1 |
| 36 | PISTON BLOCK COVER | 80-1561-20 | 1 |
| 37 | PISTON BLOCK GASKET | 80-3321-51 | 1 |
| 38 | PISTON BLOCK COVER GASKET | 80-3331-51 | 1 |
| 39 | PISTON BLOCK PIPE | 80-1586-03 | 2 |
| 40 | EXHAUST | 80-1366-23 | 1 |
| 41 | AIR NIPPLE | 50-1371-07 | 1 |
| 42 | REDUCER | 80-1377-21 | 1 |
| 43 | ½" X 3½" HEX BOLTS SS (CHAMBER BOLTS) | 04-6007-03 | 4 |
| 44 | ½ SS HEX NUT UNC | 04-6301-03 | 4 |
| 45 | 3/8 X 20.7 X 1.5 MM SS WASHER (SUC/DIS CLAMP) | 04-6210-03 | 8 |
| 46 | 3/8" X 60 MM CARRIAGE BOLTS SS (SUC/DIS) | 04-6022-03 | 8 |
| 47 | 3/8 SS HEX NUT | 04-6304-03 | 8 |
| 48 | 3/8" X 1¼" HEX BOLTS SS (AIR COVER) | 04-6016-03 | 12 |
| 49 | 3/8 X 3 MM SS WASHER (AIR COVER) | 04-6206-03 | 12 |
| 50 | 3/8" X 6" ALLEN BOLTS MS (PISTON BLOCK) | 04-6021-61 | 6 |
| 51 | 3/8" X 11.4 X 3 MM SS WASHER (P B ALLEN BOLT) | 04-6207-03 | 6 |
| 52 | 35 X 20 X 3 MM SS WASHER (HOLDING PLATE) | 04-6217-61 | 2 |



AIR OPERATED DOUBLE DIAPHRAGM PUMPS



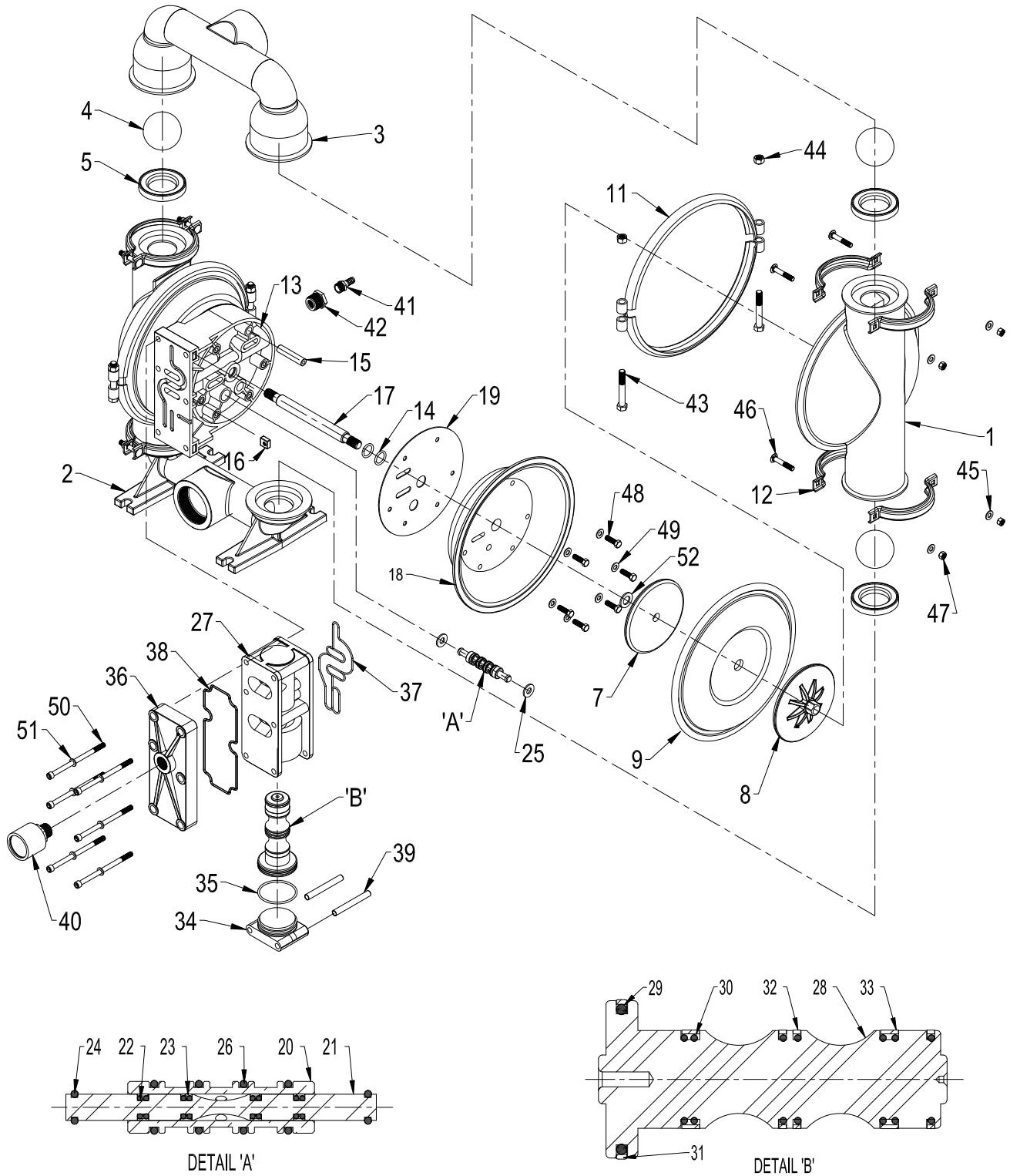
ISO 9001: 2008
ISO 14001: 2004

pricepumps.co.in

SECTION 3 – EXPLODED VIEW

3" ALUMINIUM PUMP

AOD 80/AAPP/NEO/TF/N





AIR OPERATED DOUBLE DIAPHRAGM PUMPS



ISO 9001: 2008
ISO 14001: 2004

pricepumps.co.in

SECTION 4 – DIMENSIONAL DRAWING

3" ALUMINIUM PUMP

AOD 80/AAPP/NEO/TF/N

